



SunStay - All In One solar street light

SunStay

Integrated solar street light with Lithium Ferro Phosphate battery, solar panel and charger built into the luminaire. Pressure die cast aluminium for sturdiness and long life. Specially designed pole mounting bracket allows different tilt angles, lateral and pole top mounting.

Benefits

- Brings light to areas without access to electric grid
- Saves energy
- Preserves landscape as no trenching for cabling required
- Environment friendly
- Sturdy construction for long life

Features

- High luminous efficacy of 175 lm/Watt to maximize battery performance
- Replaceable Lithium Ferro Phosphate battery for long life and hassle free operations.
- MPPT charge controller for maximum efficiency
- Pressure die-cast aluminum housing for sturdiness and excellent heat dissipation.
- Specially designed pole mounting bracket with adjustable tilt angles of 0 to 15 degrees, which can also be used in post top & lateral mounting positions
- Factory set dimming profile along with PIR sensor for run time maximization.
- Self diagnostic feature along with battery charging, discharging & cut-off LED Indicators

Application

- Class A & B roads
- Rural areas
- Parks, pedestrian path lighting
- Industries, office, schools
- Shopping centers, corporate campuses, plazas

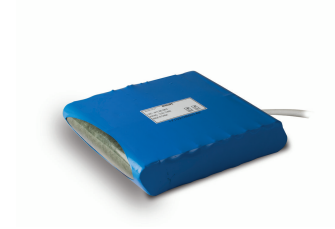
Versions



BRP710

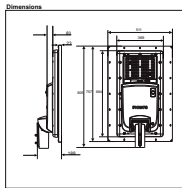


BRP710

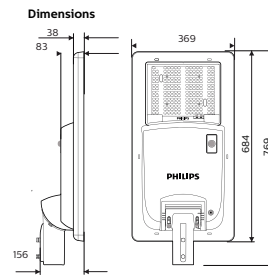


Lithium Ferro Phosphate battery

Dimensional drawing



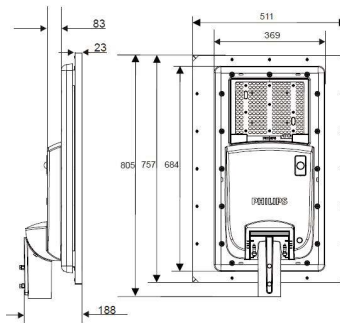
PHILIPS



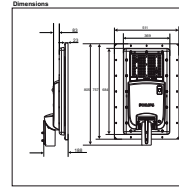
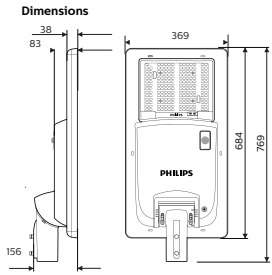
Dimensions



Description	12NC	Product Dimension LxWxH (cm)
SPARE BT LFP 12.8V 30Ah SOLAR EQUIP	919415811056	30x17.5x6
SPARE BT LFP 12.8V 20Ah SOLAR EQUIP	919415811055	30x17.5x6
SPARE BT LFP 12.8V 13.6Ah SOLAR EQUIP	919415811054	22x17.5x5



Dimensional drawing



PHILIPS

Operating and Electrical	
Battery charging & discharging cycles	2000
Battery type	Lithium Ferro Phosphate
Battery voltage	12.8 V
Approval and Application	
Ambient temperature range	0 to +35 °C
Application Conditions	
Ambient temperature range for charging	0 °C to +45 °C

Light Technical

Order Code	Full Product Name	Correlated Color Temperature (Nom)	Color rendering index (CRI)
919515812627	BRP710 LED20 CW MR S1 12V 35MO FDIM50 So	5700 K	>70
919515812628	BRP710 LED20 CW MR S1 12V 35MO Solar Equ	5700 K	>70
919515812631	BRP710 LED20 CW MR S1 12V 35MO FDIM50 So	5700 K	>70
919515812632	BRP710 LED20 CW MR S1 12V 35MO Solar Equ	5700 K	>70
919515812969	BRP710 LED20 WW MR 12V 35MO FDIM50 Solar	3000 K	>70
919515812981	BRP710 LED20 NW MR 12V 35MO FDIM50 Solar	4000 K	>70
919515813174	BRP710 LED30 CW MR HY SOLAR IN	5700 K	>70
919515813614	BRP710 LED20 CW MR HY SOLAR IN	5700 K	>70
919515813615	BRP710 LED20 CW MR HY FDIM50 SOLAR IN	5700 K	>70
919515813616	BRP710 LED30 CW MR HY FDIM50 SOLAR IN	5700 K	>70

Order Code	Full Product Name	Correlated Color Temperature (Nom)	Color rendering index (CRI)
919515813168	BRP710 LED45 CW MR HY SOLAR IN	5700 K	>70
919515813617	BRP710 LED45 CW MR HY FDIM50 SOLAR IN	5700 K	>70
919515813754	BRP710 LED60 CW MR HY FDIM20 SOLAR IN	5700 K	>70
919515813978	BRP710 LED45 CW MR HY FDIM50 SOLAR	5700 K	>70
919515813979	BRP710 LED60 CW MR HY FDIM20 SOLAR	5700 K	>70
919515813982	BRP710 LED45 CW MR HY SOLAR	5700 K	>70
919515813985	BRP710 LED45 NW MR HY FDIM50 SOLAR	4000 K	>70
919515813986	BRP710 LED60 NW MR HY FDIM20 SOLAR	4000 K	>70
919515813989	BRP710 LED45 NW MR HY SOLAR	4000 K	>70
919515813992	BRP710 LED45 WW MR HY FDIM50 SOLAR	3000 K	>70
919515813993	BRP710 LED60 WW MR HY FDIM20 SOLAR	3000 K	>70

Order Code	Full Product Name	Correlated Color Temperature (Nom)	Color rendering index (CRI)
919515813996	BRP710 LED45 WW MR HY SOLAR	3000 K	>70
919515812387	BRP710 LED20 CW MR S1 12V LFP AIO Solar	5700 K	>70
919515812388	BRP710 LED30 CW MR S1 12V LFP AIO Solar	5700 K	>70
919515812389	BRP710 LED20 CW MR S1 12V LFP AIO Solar	5700 K	>70
919515812390	BRP710 LED30 CW MR S1 12V LFP AIO Solar	5700 K	>70
919515812625	BRP710 LED20 CW MR S1 12V 28PO PDIM50 So	5700 K	>70
919515812626	BRP710 LED20 CW MR S1 12V 35MO PDIM50 So	5700 K	>70
919515812629	BRP710 LED20 CW MR S1 12V 28PO PDIM50 So	5700 K	>70
919515812630	BRP710 LED20 CW MR S1 12V 35MO PDIM50 So	5700 K	>70
919515812966	BRP710 LED20 WW MR 12V LFP Solar	3000 K	>70
919515812967	BRP710 LED20 WW MR 12V 28PO PDIM50 Solar	3000 K	>70
919515812968	BRP710 LED20 WW MR 12V 35MO PDIM50 Solar	3000 K	>70
919515812970	BRP710 LED20 WW MR 12V 35MO Solar	3000 K	>70
919515812971	BRP710 LED30 WW MR 12V LFP AIO Solar	3000 K	>70
919515812978	BRP710 LED20 NW MR 12V LFP Solar	4000 K	>70
919515812979	BRP710 LED20 NW MR 12V 28PO PDIM50 Solar	4000 K	>70
919515812980	BRP710 LED20 NW MR 12V 35MO PDIM50 Solar	4000 K	>70
919515812982	BRP710 LED20 NW MR 12V 35MO Solar	4000 K	>70
919515812983	BRP710 LED30 NW MR 12V LFP AIO Solar	4000 K	>70
919515814301	BRP710 LED30 WW 35MO PDIM30 BLE Solar	3000 K	>70
919515814303	BRP710 LED30 2700K 60MO PDM30 BLE Solar	2700 K	>70
919515814406	BRP710 LED20 WW 28PO PDIM50 BLE Solar	3000 K	>70
919515898025	BRP710 LED20 NW 28PO PDIM50 BLE SOLAR EX	4000 K	>70
919515898026	BRP710 LED20 CW 28PO PDIM50 BLE SOLAR EX	5700 K	>70
919515898027	BRP710 LED30 NW 35MO PDIM30 BLE SOLAR EX	4000 K	>70

Order Code	Full Product Name	Correlated Color Temperature (Nom)	Color rendering index (CRI)
919515898028	BRP710 LED30 CW 35MO PDIM30 BLE SOLAR EX	5700 K	>70
919515898032	BRP710 LED30 CW 60MO PDIM30 BLE SOLAR EX	5700 K	>70
919515898033	BRP710 LED20 WW 35MO PDIM50 BLE SOLAR EX	3000 K	>70
919515898034	BRP710 LED20 NW 35MO PDIM50 BLE SOLAR EX	4000 K	>70
919515898035	BRP710 LED20 CW 35MO PDIM50 BLE SOLAR EX	5700 K	>70
919615811178	BRP710 LED20 CW Housing KIT Solar	5700 K	>70
919615811179	BRP710 LED30 CW Housing KIT Solar	5700 K	>70
919515813976	BRP710 LED20 CW MR HY FDIM50 SOLAR	5700 K	>70
919515813977	BRP710 LED30 CW MR HY FDIM50 SOLAR	5700 K	>70
919515813980	BRP710 LED20 CW MR HY SOLAR	5700 K	>70
919515813981	BRP710 LED30 CW MR HY SOLAR	5700 K	>70
919515813983	BRP710 LED20 NW MR HY FDIM50 SOLAR	4000 K	>70
919515813984	BRP710 LED30 NW MR HY FDIM50 SOLAR	4000 K	>70
919515813987	BRP710 LED20 NW MR HY SOLAR	4000 K	>70
919515813988	BRP710 LED30 NW MR HY SOLAR	4000 K	>70
919515813990	BRP710 LED20 WW MR HY FDIM50 SOLAR	3000 K	>70
919515813991	BRP710 LED30 WW MR HY FDIM50 SOLAR	3000 K	>70
919515813994	BRP710 LED20 WW MR HY SOLAR	3000 K	>70
919515813995	BRP710 LED30 WW MR HY SOLAR	3000 K	>70
919515898031	BRP710 LED30 NW 60MO PDIM30 BLE SOLAR EX	4000 K	>70
919515812830	BRP710 LED45 CW MR S1 12V LFP Solar IN	5700 K	>70
919515812831	BRP710 LED45 CW MR S1 12V FD30 Solar IN	5700 K	>70
919515813566	BRP710 LED45 CW MR S1 12V LFP Solar	5700 K	>70
919515813567	BRP710 LED45 CW MR S1 12V FD30 Solar	5700 K	>70
919515813568	BRP710 LED45 WW MR S1 12V LFP Solar	3000 K	>70
919515813569	BRP710 LED45 NW MR S1 12V LFP Solar	4000 K	>70
919515813570	BRP710 LED45 WW MR S1 12V FD30 Solar	3000 K	>70
919515813571	BRP710 LED45 NW MR S1 12V FD30 Solar	4000 K	>70

Order Code	Full Product Name	Correlated Color Temperature (Nom)	Color rendering index (CRI)
919515814302	BRP710 LED45 WW 60MO PDIM30 BLE Solar	3000 K	>70
919515898029	BRP710 LED45 NW 60MO PDIM30 BLE SOLAR EX	4000 K	>70
919515898030	BRP710 LED45 CW 60MO PDIM30 BLE SOLAR EX	5700 K	>70
919615811180	BRP710 LED45 CW Housing KIT Solar	5700 K	>70
919615811265	BRP710 P LED45 CW MR 12V LFP Solar P4125	5700 K	>70

Order Code	Full Product Name	Correlated Color Temperature (Nom)	Color rendering index (CRI)
919515814304	BRP710 LED30 WW 60MO PDIM30 BLE Solar	3000 K	>70
919415811054	SPARE BT LFP 12.8V 13.6Ah SOLAR EQUIP	-	-
919415811055	SPARE BT LFP 12.8V 20Ah SOLAR EQUIP	-	-
919415811056	SPARE BT LFP 12.8V 30Ah SOLAR EQUIP	-	-

Operating and Electrical (1/2)

Order Code	Full Product Name	Battery ampere hour	Cable connection kit	Charge controller type	Charge controller wattage	Grid connection type	Panel peak wattage	Panel type
919515812627	BRP710 LED20 CW MR S1 12V 35MO FDIM50 So	13.6 Ah	-	MPPT	-	Off grid	35 W	Mono crystalline
919515812628	BRP710 LED20 CW MR S1 12V 35MO Solar Equ	13.6 Ah	-	MPPT	-	Off grid	35 W	Mono crystalline
919515812631	BRP710 LED20 CW MR S1 12V 35MO FDIM50 So	13.6 Ah	-	MPPT	-	Off grid	35 W	Mono crystalline
919515812632	BRP710 LED20 CW MR S1 12V 35MO Solar Equ	13.6 Ah	-	MPPT	-	Off grid	35 W	Mono crystalline
919515812969	BRP710 LED20 WW MR 12V 35MO FDIM50 Solar	13.6 Ah	-	MPPT	-	Off grid	35 W	Mono crystalline
919515812981	BRP710 LED20 NW MR 12V 35MO FDIM50 Solar	13.6 Ah	-	MPPT	-	Off grid	35 W	Mono crystalline
919515813174	BRP710 LED30 CW MR HY SOLAR IN	20 Ah	Included	MPPT	17 W	Hybrid	35 W	Mono crystalline
919515813614	BRP710 LED20 CW MR HY SOLAR IN	13.6 Ah	Included	MPPT	11 W	Hybrid	28 W	Poly crystalline
919515813615	BRP710 LED20 CW MR HY FDIM50 SOLAR IN	13.6 Ah	Included	MPPT	11 W	Hybrid	28 W	Poly crystalline
919515813616	BRP710 LED30 CW MR HY FDIM50 SOLAR IN	20 Ah	Included	MPPT	17 W	Hybrid	35 W	Mono crystalline
919515813618	BRP710 LED45 CW MR HY SOLAR IN	30 Ah	Included	MPPT	25 W	Hybrid	60 W	Mono crystalline
919515813617	BRP710 LED45 CW MR HY FDIM50 SOLAR IN	30 Ah	Included	MPPT	25 W	Hybrid	60 W	Mono crystalline
919515813754	BRP710 LED60 CW MR HY FDIM20 SOLAR IN	30 Ah	Included	MPPT	35 W	Hybrid	60 W	Mono crystalline
919515813978	BRP710 LED45 CW MR HY FDIM50 SOLAR	30 Ah	Included	MPPT	25 W	Hybrid	60 W	Mono crystalline
919515813979	BRP710 LED60 CW MR HY FDIM20 SOLAR	30 Ah	Included	MPPT	35 W	Hybrid	60 W	Mono crystalline
919515813982	BRP710 LED45 CW MR HY SOLAR	30 Ah	Included	MPPT	25 W	Hybrid	60 W	Mono crystalline
919515813985	BRP710 LED45 NW MR HY FDIM50 SOLAR	30 Ah	Included	MPPT	25 W	Hybrid	60 W	Mono crystalline
919515813986	BRP710 LED60 NW MR HY FDIM20 SOLAR	30 Ah	Included	MPPT	35 W	Hybrid	60 W	Mono crystalline
919515813989	BRP710 LED45 NW MR HY SOLAR	30 Ah	Included	MPPT	25 W	Hybrid	60 W	Mono crystalline

Order Code	Full Product Name	Battery ampere hour	Cable connection kit	Charge controller type	Charge controller wattage	Grid connection type	Panel peak wattage	Panel type
919515813992	BRP710 LED45 WW MR HY FDIM50 SOLAR	30 Ah	Included	MPPT	25 W	Hybrid	60 W	Mono crystalline
919515813993	BRP710 LED60 WW MR HY FDIM20 SOLAR	30 Ah	Included	MPPT	35 W	Hybrid	60 W	Mono crystalline
919515813996	BRP710 LED45 WW MR HY SOLAR	30 Ah	Included	MPPT	25 W	Hybrid	60 W	Mono crystalline
919515812387	BRP710 LED20 CW MR S1 12V LFP AIO Solar	13.6 Ah	-	MPPT	-	Off grid	28 W	Poly crystalline
919515812388	BRP710 LED30 CW MR S1 12V LFP AIO Solar	20 Ah	-	MPPT	-	Off grid	35 W	Mono crystalline
919515812389	BRP710 LED20 CW MR S1 12V LFP AIO Solar	13.6 Ah	-	MPPT	-	Off grid	28 W	Poly crystalline
919515812390	BRP710 LED30 CW MR S1 12V LFP AIO Solar	20 Ah	-	MPPT	-	Off grid	35 W	Mono crystalline
919515812625	BRP710 LED20 CW MR S1 12V 28PO PDIM50 So	13.6 Ah	-	MPPT	-	Off grid	28 W	Poly crystalline
919515812626	BRP710 LED20 CW MR S1 12V 35MO PDIM50 So	13.6 Ah	-	MPPT	-	Off grid	35 W	Mono crystalline
919515812629	BRP710 LED20 CW MR S1 12V 28PO PDIM50 So	13.6 Ah	-	MPPT	-	Off grid	28 W	Poly crystalline
919515812630	BRP710 LED20 CW MR S1 12V 35MO PDIM50 So	13.6 Ah	-	MPPT	-	Off grid	35 W	Mono crystalline
919515812966	BRP710 LED20 WW MR 12V LFP Solar	13.6 Ah	-	MPPT	-	Off grid	28 W	Poly crystalline
919515812967	BRP710 LED20 WW MR 12V 28PO PDIM50 Solar	13.6 Ah	-	MPPT	-	Off grid	28 W	Poly crystalline
919515812968	BRP710 LED20 WW MR 12V 35MO PDIM50 Solar	13.6 Ah	-	MPPT	-	Off grid	35 W	Mono crystalline
919515812970	BRP710 LED20 WW MR 12V 35MO Solar	20 Ah	-	MPPT	-	Off grid	35 W	Mono crystalline
919515812971	BRP710 LED30 WW MR 12V LFP AIO Solar	20 Ah	-	MPPT	-	Off grid	35 W	Mono crystalline
919515812978	BRP710 LED20 NW MR 12V LFP Solar	13.6 Ah	-	MPPT	-	Off grid	28 W	Poly crystalline
919515812979	BRP710 LED20 NW MR 12V 28PO PDIM50 Solar	13.6 Ah	-	MPPT	-	Off grid	28 W	Poly crystalline
919515812980	BRP710 LED20 NW MR 12V 35MO PDIM50 Solar	13.6 Ah	-	MPPT	-	Off grid	35 W	Mono crystalline
919515812982	BRP710 LED20 NW MR 12V 35MO Solar	20 Ah	-	MPPT	-	Off grid	35 W	Mono crystalline
919515812983	BRP710 LED30 NW MR 12V LFP AIO Solar	20 Ah	-	MPPT	-	Off grid	35 W	Mono crystalline
919515814301	BRP710 LED30 WW 35MO PDIM30 BLE Solar	20 Ah	-	MPPT	-	Off grid	35 W	Mono crystalline
919515814303	BRP710 LED30 2700K 60MO PDM30 BLE Solar	30 Ah	-	MPPT	-	Off grid	60 W	Mono crystalline
919515814406	BRP710 LED20 WW 28PO PDIM50 BLE Solar	13.6 Ah	-	MPPT	-	Off grid	28 W	Poly crystalline
919515898025	BRP710 LED20 NW 28PO PDIM50 BLE SOLAR EX	13.6 Ah	-	MPPT	-	Off grid	28 W	Poly crystalline
919515898026	BRP710 LED20 CW 28PO PDIM50 BLE SOLAR EX	13.6 Ah	-	MPPT	-	Off grid	28 W	Poly crystalline
919515898027	BRP710 LED30 NW 35MO PDIM30 BLE SOLAR EX	20 Ah	-	MPPT	-	Off grid	35 W	Mono crystalline

Order Code	Full Product Name	Battery ampere hour	Cable connection kit	Charge controller type	Charge controller wattage	Grid connection type	Panel peak wattage	Panel type
919515898028	BRP710 LED30 CW 35MO PDIM30 BLE SOLAR EX	20 Ah	-	MPPT	-	Off grid	35 W	Mono crystalline
919515898032	BRP710 LED30 CW 60MO PDIM30 BLE SOLAR EX	30 Ah	-	MPPT	-	Off grid	60 W	Mono crystalline
919515898033	BRP710 LED20 WW 35MO PDIM50 BLE SOLAR EX	20 Ah	-	MPPT	-	Off grid	35 W	Mono crystalline
919515898034	BRP710 LED20 NW 35MO PDIM50 BLE SOLAR EX	20 Ah	-	MPPT	-	Off grid	35 W	Mono crystalline
919515898035	BRP710 LED20 CW 35MO PDIM50 BLE SOLAR EX	20 Ah	-	MPPT	-	Off grid	35 W	Mono crystalline
919615811178	BRP710 LED20 CW Housing KIT Solar	13.6 Ah	-	MPPT	-	Off grid	28 W	Poly crystalline
919615811179	BRP710 LED30 CW Housing KIT Solar	20 Ah	-	MPPT	-	Off grid	35 W	Mono crystalline
919515813976	BRP710 LED20 CW MR HY FDIM50 SOLAR	13.6 Ah	Included	MPPT	11 W	Hybrid	28 W	Poly crystalline
919515813977	BRP710 LED30 CW MR HY FDIM50 SOLAR	20 Ah	Included	MPPT	17 W	Hybrid	35 W	Mono crystalline
919515813980	BRP710 LED20 CW MR HY SOLAR	13.6 Ah	Included	MPPT	11 W	Hybrid	28 W	Poly crystalline
919515813981	BRP710 LED30 CW MR HY SOLAR	20 Ah	Included	MPPT	17 W	Hybrid	35 W	Mono crystalline
919515813983	BRP710 LED20 NW MR HY FDIM50 SOLAR	13.6 Ah	Included	MPPT	11 W	Hybrid	28 W	Poly crystalline
919515813984	BRP710 LED30 NW MR HY FDIM50 SOLAR	20 Ah	Included	MPPT	17 W	Hybrid	35 W	Mono crystalline
919515813987	BRP710 LED20 NW MR HY SOLAR	13.6 Ah	Included	MPPT	11 W	Hybrid	28 W	Poly crystalline
919515813988	BRP710 LED30 NW MR HY SOLAR	20 Ah	Included	MPPT	17 W	Hybrid	35 W	Mono crystalline
919515813990	BRP710 LED20 WW MR HY FDIM50 SOLAR	13.6 Ah	Included	MPPT	11 W	Hybrid	28 W	Poly crystalline
919515813991	BRP710 LED30 WW MR HY FDIM50 SOLAR	20 Ah	Included	MPPT	17 W	Hybrid	35 W	Mono crystalline
919515813994	BRP710 LED20 WW MR HY SOLAR	13.6 Ah	Included	MPPT	11 W	Hybrid	28 W	Poly crystalline
919515813995	BRP710 LED30 WW MR HY SOLAR	20 Ah	Included	MPPT	17 W	Hybrid	35 W	Mono crystalline
919515898031	BRP710 LED30 NW 60MO PDIM30 BLE SOLAR EX	30 Ah	-	MPPT	-	Off grid	60 W	Mono crystalline
919515812830	BRP710 LED45 CW MR S1 12V LFP Solar IN	30 Ah	-	MPPT	-	Off grid	60 W	Mono crystalline
919515812831	BRP710 LED45 CW MR S1 12V FD30 Solar IN	30 Ah	-	MPPT	-	Off grid	60 W	Mono crystalline
919515813566	BRP710 LED45 CW MR S1 12V LFP Solar	30 Ah	-	MPPT	-	Off grid	60 W	Mono crystalline
919515813567	BRP710 LED45 CW MR S1 12V FD30 Solar	30 Ah	-	MPPT	-	Off grid	60 W	Mono crystalline
919515813568	BRP710 LED45 WW MR S1 12V LFP Solar	30 Ah	-	MPPT	-	Off grid	60 W	Mono crystalline
919515813569	BRP710 LED45 NW MR S1 12V LFP Solar	30 Ah	-	MPPT	-	Off grid	60 W	Mono crystalline
919515813570	BRP710 LED45 WW MR S1 12V FD30 Solar	30 Ah	-	MPPT	-	Off grid	60 W	Mono crystalline
919515813571	BRP710 LED45 NW MR S1 12V FD30 Solar	30 Ah	-	MPPT	-	Off grid	60 W	Mono crystalline
919515814302	BRP710 LED45 WW 60MO PDIM30 BLE Solar	30 Ah	-	MPPT	-	Off grid	60 W	Mono crystalline
919515898029	BRP710 LED45 NW 60MO PDIM30 BLE SOLAR EX	30 Ah	-	MPPT	-	Off grid	60 W	Mono crystalline
919515898030	BRP710 LED45 CW 60MO PDIM30 BLE SOLAR EX	30 Ah	-	MPPT	-	Off grid	60 W	Mono crystalline
919615811180	BRP710 LED45 CW Housing KIT Solar	30 Ah	-	MPPT	-	Off grid	60 W	Mono crystalline

Order Code	Full Product Name	Battery ampere hour	Cable connection kit	Charge controller type	Charge controller wattage	Grid connection type	Panel peak wattage	Panel type
919615811265	BRP710 P LED45 CW MR 12V LFP Solar P4125	30 Ah	-	MPPT	-	Off grid	60 W	Mono crystalline
919515814304	BRP710 LED30 WW 60MO PDIM30 BLE Solar	30 Ah	-	MPPT	-	Off grid	60 W	Mono crystalline
919415811054	SPARE BT LFP 12.8V 13.6Ah SOLAR EQUIP	13.6 Ah	-	-	-	-	-	-
919415811055	SPARE BT LFP 12.8V 20Ah SOLAR EQUIP	20 Ah	-	-	-	-	-	-
919415811056	SPARE BT LFP 12.8V 30Ah SOLAR EQUIP	30 Ah	-	-	-	-	-	-

Operating and Electrical (2/2)

Order Code	Full Product Name	Panel voltage	Order Code	Full Product Name	Panel voltage
919515812627	BRP710 LED20 CW MR S1 12V 35MO FDM50 So	17 Vmp, 21 Voc V	919515812982	BRP710 LED20 NW MR 12V 35MO Solar	17 Vmp, 21 Voc V
919515812628	BRP710 LED20 CW MR S1 12V 35MO Solar Equ	17 Vmp, 21 Voc V	919515812983	BRP710 LED30 NW MR 12V LFP AIO Solar	17 Vmp, 21 Voc V
919515812631	BRP710 LED20 CW MR S1 12V 35MO FDM50 So	17 Vmp, 21 Voc V	919515814301	BRP710 LED30 WW 35MO PDIM30 BLE Solar	17 V
919515812632	BRP710 LED20 CW MR S1 12V 35MO Solar Equ	17 Vmp, 21 Voc V	919515814303	BRP710 LED30 2700K 60MO PDM30 BLE Solar	17 V
919515812969	BRP710 LED20 WW MR 12V 35MO FDM50 Solar	17 Vmp, 21 Voc V	919515814406	BRP710 LED20 WW 28PO PDIM50 BLE Solar	17 V
919515812981	BRP710 LED20 NW MR 12V 35MO FDM50 Solar	17 Vmp, 21 Voc V	919515898025	BRP710 LED20 NW 28PO PDIM50 BLE SOLAR EX	17 V
919515813174	BRP710 LED30 CW MR HY SOLAR IN	17 Vmp, 21 Voc V	919515898026	BRP710 LED20 CW 28PO PDIM50 BLE SOLAR EX	17 V
919515813614	BRP710 LED20 CW MR HY SOLAR IN	17 Vmp, 21 Voc V	919515898027	BRP710 LED30 NW 35MO PDIM30 BLE SOLAR EX	17 V
919515813615	BRP710 LED20 CW MR HY FDM50 SOLAR IN	17 Vmp, 21 Voc V	919515898028	BRP710 LED30 CW 35MO PDIM30 BLE SOLAR EX	17 V
919515813616	BRP710 LED30 CW MR HY FDM50 SOLAR IN	17 Vmp, 21 Voc V	919515898032	BRP710 LED30 CW 60MO PDIM30 BLE SOLAR EX	17 V
919515813168	BRP710 LED45 CW MR HY SOLAR IN	17 Vmp, 21 Voc V	919515898033	BRP710 LED20 WW 35MO PDIM50 BLE SOLAR EX	17 V
919515813617	BRP710 LED45 CW MR HY FDM50 SOLAR IN	17 Vmp, 21 Voc V	919515898034	BRP710 LED20 NW 35MO PDIM50 BLE SOLAR EX	17 V
919515813754	BRP710 LED60 CW MR HY FDM20 SOLAR IN	17 Vmp, 21 Voc V	919515898035	BRP710 LED20 CW 35MO PDIM50 BLE SOLAR EX	17 V
919515813978	BRP710 LED45 CW MR HY FDM50 SOLAR	17 Vmp, 21 Voc V	919615811178	BRP710 LED20 CW Housing KIT Solar	17 Vmp, 21 Voc V
919515813979	BRP710 LED60 CW MR HY FDM20 SOLAR	17 Vmp, 21 Voc V	919615811179	BRP710 LED30 CW Housing KIT Solar	17 Vmp, 21 Voc V
919515813982	BRP710 LED45 CW MR HY SOLAR	17 Vmp, 21 Voc V	919515813976	BRP710 LED20 CW MR HY FDM50 SOLAR	17 Vmp, 21 Voc V
919515813985	BRP710 LED45 NW MR HY FDM50 SOLAR	17 Vmp, 21 Voc V	919515813977	BRP710 LED30 CW MR HY FDM50 SOLAR	17 Vmp, 21 Voc V
919515813986	BRP710 LED60 NW MR HY FDM20 SOLAR	17 Vmp, 21 Voc V	919515813980	BRP710 LED20 CW MR HY SOLAR	17 Vmp, 21 Voc V
919515813989	BRP710 LED45 NW MR HY SOLAR	17 Vmp, 21 Voc V	919515813981	BRP710 LED30 CW MR HY SOLAR	17 Vmp, 21 Voc V
919515813992	BRP710 LED45 WW MR HY FDM50 SOLAR	17 Vmp, 21 Voc V	919515813983	BRP710 LED20 NW MR HY FDM50 SOLAR	17 Vmp, 21 Voc V
919515813993	BRP710 LED60 WW MR HY FDM20 SOLAR	17 Vmp, 21 Voc V	919515813984	BRP710 LED30 NW MR HY FDM50 SOLAR	17 Vmp, 21 Voc V
919515813996	BRP710 LED45 WW MR HY SOLAR	17 Vmp, 21 Voc V	919515813987	BRP710 LED20 NW MR HY SOLAR	17 Vmp, 21 Voc V
919515812387	BRP710 LED20 CW MR S1 12V LFP AIO Solar	17 Vmp, 21 Voc V	919515813988	BRP710 LED30 NW MR HY SOLAR	17 Vmp, 21 Voc V
919515812388	BRP710 LED30 CW MR S1 12V LFP AIO Solar	17 Vmp, 21 Voc V	919515813990	BRP710 LED20 WW MR HY FDM50 SOLAR	17 Vmp, 21 Voc V
919515812389	BRP710 LED20 CW MR S1 12V LFP AIO Solar	17 Vmp, 21 Voc V	919515813991	BRP710 LED30 WW MR HY FDM50 SOLAR	17 Vmp, 21 Voc V
919515812390	BRP710 LED30 CW MR S1 12V LFP AIO Solar	17 Vmp, 21 Voc V	919515813994	BRP710 LED20 WW MR HY SOLAR	17 Vmp, 21 Voc V
919515812625	BRP710 LED20 CW MR S1 12V 28PO PDIM50 So	17 Vmp, 21 Voc V	919515813995	BRP710 LED30 WW MR HY SOLAR	17 Vmp, 21 Voc V
919515812626	BRP710 LED20 CW MR S1 12V 35MO PDIM50 So	17 Vmp, 21 Voc V	919515898031	BRP710 LED30 NW 60MO PDIM30 BLE SOLAR EX	17 V
919515812629	BRP710 LED20 CW MR S1 12V 28PO PDIM50 So	17 Vmp, 21 Voc V	919515812830	BRP710 LED45 CW MR S1 12V LFP Solar IN	17 Vmp, 21 Voc V
919515812630	BRP710 LED20 CW MR S1 12V 35MO PDIM50 So	17 Vmp, 21 Voc V	919515812831	BRP710 LED45 CW MR S1 12V FD30 Solar IN	17 Vmp, 21 Voc V
919515812966	BRP710 LED20 WW MR 12V LFP Solar	17 Vmp, 21 Voc V	919515813566	BRP710 LED45 CW MR S1 12V LFP Solar	17 Vmp, 21 Voc V
919515812967	BRP710 LED20 WW MR 12V 28PO PDIM50 Solar	17 Vmp, 21 Voc V	919515813567	BRP710 LED45 CW MR S1 12V FD30 Solar	17 Vmp, 21 Voc V
919515812968	BRP710 LED20 WW MR 12V 35MO PDIM50 Solar	17 Vmp, 21 Voc V	919515813568	BRP710 LED45 WW MR S1 12V LFP Solar	17 Vmp, 21 Voc V
919515812970	BRP710 LED20 WW MR 12V 35MO Solar	17 Vmp, 21 Voc V	919515813569	BRP710 LED45 NW MR S1 12V LFP Solar	17 Vmp, 21 Voc V
919515812971	BRP710 LED30 WW MR 12V LFP AIO Solar	17 Vmp, 21 Voc V	919515813570	BRP710 LED45 WW MR S1 12V FD30 Solar	17 Vmp, 21 Voc V
919515812978	BRP710 LED20 NW MR 12V LFP Solar	17 Vmp, 21 Voc V	919515813571	BRP710 LED45 NW MR S1 12V FD30 Solar	17 Vmp, 21 Voc V
919515812979	BRP710 LED20 NW MR 12V 28PO PDIM50 Solar	17 Vmp, 21 Voc V	919515814302	BRP710 LED45 WW 60MO PDIM30 BLE Solar	17 V
919515812980	BRP710 LED20 NW MR 12V 35MO PDIM50 Solar	17 Vmp, 21 Voc V	919515898029	BRP710 LED45 NW 60MO PDIM30 BLE SOLAR EX	17 V

Order Code	Full Product Name	Panel voltage
919515898030	BRP710 LED45 CW 60MO PDIM30 BLE SOLAR EX	17 V
919615811180	BRP710 LED45 CW Housing KIT Solar	17 Vmp, 21 Voc V
919615811265	BRP710 P LED45 CW MR 12V LFP Solar P4125	17 Vmp, 21 Voc V
919515814304	BRP710 LED30 WW 60MO PDIM30 BLE Solar	17 V

Order Code	Full Product Name	Panel voltage
919415811054	SPARE BT LFP 12.8V 13.6Ah SOLAR EQUIP	-
919415811055	SPARE BT LFP 12.8V 20Ah SOLAR EQUIP	-
919415811056	SPARE BT LFP 12.8V 30Ah SOLAR EQUIP	-

Controls and Dimming

Order Code	Full Product Name	Dimmable	Configurability	Solar dimming profile
919515812627	BRP710 LED20 CW MR S1 12V 35MO FDIM50 So	Yes	Factory Configurable	5hrs 100% + 7 hrs 50%
919515812628	BRP710 LED20 CW MR S1 12V 35MO Solar Equ	Yes	Factory Configurable	No Dimming
919515812631	BRP710 LED20 CW MR S1 12V 35MO FDIM50 So	Yes	Factory Configurable	5hrs 100% + 7 hrs 50%
919515812632	BRP710 LED20 CW MR S1 12V 35MO Solar Equ	Yes	Factory Configurable	No Dimming
919515812969	BRP710 LED20 WW MR 12V 35MO FDIM50 Solar	Yes	Factory Configurable	5hrs 100% + 7 hrs 50%
919515812981	BRP710 LED20 NW MR 12V 35MO FDIM50 Solar	Yes	Factory Configurable	5hrs 100% + 7 hrs 50%
919515813174	BRP710 LED30 CW MR HY SOLAR IN	Yes	Factory Configurable	100% Dusk to dawn
919515813614	BRP710 LED20 CW MR HY SOLAR IN	Yes	Factory Configurable	100% Dusk to dawn
919515813615	BRP710 LED20 CW MR HY FDIM50 SOLAR IN	Yes	Factory Configurable	5hrs 100% + 7 hrs 50%
919515813616	BRP710 LED30 CW MR HY FDIM50 SOLAR IN	Yes	Factory Configurable	5hrs 100% + 7 hrs 50%
919515813618	BRP710 LED45 CW MR HY SOLAR IN	Yes	Factory Configurable	100% Dusk to dawn
919515813617	BRP710 LED45 CW MR HY FDIM50 SOLAR IN	Yes	Factory Configurable	5hrs 100% + 7 hrs 50%
919515813754	BRP710 LED60 CW MR HY	Yes	Factory Configurable	4hrs 100% + 8 hrs 20%

Order Code	Full Product Name	Dimmable	Configurability	Solar dimming profile
	FDIM20 SOLAR IN			
919515813978	BRP710 LED45 CW MR HY FDIM50 SOLAR	Yes	Factory Configurable	5hrs 100% + 7 hrs 50%
919515813979	BRP710 LED60 CW MR HY FDIM20 SOLAR	Yes	Factory Configurable	4hrs 100% + 8 hrs 20%
919515813982	BRP710 LED45 CW MR HY SOLAR	Yes	Factory Configurable	100% Dusk to dawn
919515813985	BRP710 LED45 NW MR HY FDIM50 SOLAR	Yes	Factory Configurable	5hrs 100% + 7 hrs 50%
919515813986	BRP710 LED60 NW MR HY FDIM20 SOLAR	Yes	Factory Configurable	4hrs 100% + 8 hrs 20%
919515813989	BRP710 LED45 NW MR HY SOLAR	Yes	Factory Configurable	100% Dusk to dawn
919515813992	BRP710 LED45 WW MR HY FDIM50 SOLAR	Yes	Factory Configurable	5hrs 100% + 7 hrs 50%
919515813993	BRP710 LED60 WW MR HY FDIM20 SOLAR	Yes	Factory Configurable	4hrs 100% + 8 hrs 20%
919515813996	BRP710 LED45 WW MR HY SOLAR	Yes	Factory Configurable	100% Dusk to dawn
919515812387	BRP710 LED20 CW MR S1 12V LFP AIO Solar	Yes	Factory Configurable	30% Dusk to dawn, 100% on motion. (Sensor disabled for 5 Hrs, after 5 Hrs)
919515812388	BRP710 LED30 CW MR S1 12V LFP AIO Solar	Yes	Factory Configurable	30% Dusk to dawn, 100% on motion. (Sensor disabled for 5 Hrs, after 5 Hrs)
919515812389	BRP710 LED20 CW MR S1 12V LFP AIO Solar	Yes	Factory Configurable	30% Dusk to dawn, 100% on motion. (Sensor disabled for 5 Hrs, after 5 Hrs)

Order Code	Full Product Name	Dimmable	Configurability	Solar dimming profile
919515812390	BRP710 LED30 CW MR S1 12V LFP AIO Solar	Yes	Factory Configurable	30% Dusk to dawn, 100% on motion. (Sensor disabled for 5 Hrs, after 5 Hrs)
919515812625	BRP710 LED20 CW MR S1 12V 28PO PDIM50 So	Yes	Factory Configurable	50% Dusk to dawn, 100% on Motion. (Sensor disabled for 5 Hrs, after 5 Hrs)
919515812626	BRP710 LED20 CW MR S1 12V 35MO PDIM50 So	Yes	Factory Configurable	50% Dusk to dawn, 100% on Motion. (Sensor disabled for 5 Hrs, after 5 Hrs)
919515812629	BRP710 LED20 CW MR S1 12V 28PO PDIM50 So	Yes	Factory Configurable	50% Dusk to dawn, 100% on Motion. (Sensor disabled for 5 Hrs, after 5 Hrs)
919515812630	BRP710 LED20 CW MR S1 12V 35MO PDIM50 So	Yes	Factory Configurable	50% Dusk to dawn, 100% on Motion. (Sensor disabled for 5 Hrs, after 5 Hrs)
919515812966	BRP710 LED20 WW MR 12V LFP Solar	Yes	Factory Configurable	30% Dusk to dawn, 100% on motion. (Sensor disabled for 5 Hrs, after 5 Hrs)
919515812967	BRP710 LED20 WW MR 12V 28PO PDIM50 Solar	Yes	Factory Configurable	50% Dusk to dawn, 100% on Motion. (Sensor disabled for 5 Hrs, after 5 Hrs)
919515812968	BRP710 LED20 WW MR 12V 35MO PDIM50 Solar	Yes	Factory Configurable	50% Dusk to dawn, 100% on Motion. (Sensor disabled for 5 Hrs, after 5 Hrs)
919515812970	BRP710 LED20 WW MR 12V 35MO Solar	Yes	Factory Configurable	No dimming
919515812971	BRP710 LED30 WW MR 12V LFP AIO Solar	Yes	Factory Configurable	30% Dusk to dawn, 100% on motion. (Sensor disabled for 5 Hrs, after 5 Hrs)
919515812978	BRP710 LED20 NW MR 12V LFP Solar	Yes	Factory Configurable	30% Dusk to dawn, 100% on motion. (Sensor disabled for 5 Hrs, after 5 Hrs)
919515812979	BRP710 LED20 NW MR 12V 28PO PDIM50 Solar	Yes	Factory Configurable	50% Dusk to dawn, 100% on Motion. (Sensor disabled for 5 Hrs, after 5 Hrs)
919515812980	BRP710 LED20 NW MR 12V 35MO PDIM50 Solar	Yes	Factory Configurable	50% Dusk to dawn, 100% on Motion. (Sensor disabled for 5 Hrs, after 5 Hrs)

Order Code	Full Product Name	Dimmable	Configurability	Solar dimming profile
919515812982	BRP710 LED20 NW MR 12V 35MO Solar	Yes	Factory Configurable	No dimming
919515812983	BRP710 LED30 NW MR 12V LFP AIO Solar	Yes	Factory Configurable	30% Dusk to dawn, 100% on motion. (Sensor disabled for 5 Hrs, after 5 Hrs)
919515814301	BRP710 LED30 WW 35MO PDIM30 BLE Solar	Yes	Configurable	30% Dusk to dawn, 100% on motion. (Sensor disabled for 5 Hrs, after 5 Hrs)
919515814303	BRP710 LED30 2700K 60MO PDM30 BLE Solar	Yes	Configurable	30% Dusk to dawn, 100% on motion. (Sensor disabled for 5 Hrs, after 5 Hrs)
919515814406	BRP710 LED20 WW 28PO PDIM50 BLE Solar	Yes	Configurable	50% Dusk to dawn, 100% on motion. (Sensor disabled for 5 Hrs, after 5 Hrs)
919515898025	BRP710 LED20 NW 28PO PDIM50 BLE SOLAR EX	Yes	Configurable	50% Dusk to dawn, 100% on motion. (Sensor disabled for 5 Hrs, after 5 Hrs)
919515898026	BRP710 LED20 CW 28PO PDIM50 BLE SOLAR EX	Yes	Configurable	50% Dusk to dawn, 100% on motion. (Sensor disabled for 5 Hrs, after 5 Hrs)
919515898027	BRP710 LED30 NW 35MO PDIM30 BLE SOLAR EX	Yes	Configurable	30% Dusk to dawn, 100% on motion. (Sensor disabled for 5 Hrs, after 5 Hrs)
919515898028	BRP710 LED30 CW 35MO PDIM30 BLE SOLAR EX	Yes	Configurable	30% Dusk to dawn, 100% on motion. (Sensor disabled for 5 Hrs, after 5 Hrs)
919515898032	BRP710 LED30 CW 60MO PDIM30 BLE SOLAR EX	Yes	Configurable	30% Dusk to dawn, 100% on motion. (Sensor disabled for 5 Hrs, after 5 Hrs)
919515898033	BRP710 LED20 WW 35MO PDIM50 BLE SOLAR EX	Yes	Configurable	50% Dusk to dawn, 100% on motion. (Sensor disabled for 5 Hrs, after 5 Hrs)
919515898034	BRP710 LED20 NW 35MO PDIM50 BLE SOLAR EX	Yes	Configurable	50% Dusk to dawn, 100% on motion. (Sensor disabled for 5 Hrs, after 5 Hrs)
919515898035	BRP710 LED20 CW 35MO PDIM50 BLE SOLAR EX	Yes	Configurable	50% Dusk to dawn, 100% on motion. (Sensor disabled for 5 Hrs, after 5 Hrs)

Order Code	Full Product Name	Dimmable	Configurability	Solar dimming profile
919615811178	BRP710 LED20 CW Housing KIT Solar	Yes	Factory Configurable	30% Dusk to dawn, 100% on motion. (Sensor disabled for 5 Hrs, after 5 Hrs)
919615811179	BRP710 LED30 CW Housing KIT Solar	Yes	Factory Configurable	30% Dusk to dawn, 100% on motion. (Sensor disabled for 5 Hrs, after 5 Hrs)
919515813976	BRP710 LED20 CW MR HY FDIM50 SOLAR	Yes	Factory Configurable	5hrs 100% + 7 hrs 50%
919515813977	BRP710 LED30 CW MR HY FDIM50 SOLAR	Yes	Factory Configurable	5hrs 100% + 7 hrs 50%
919515813980	BRP710 LED20 CW MR HY SOLAR	Yes	Factory Configurable	100% Dusk to dawn
919515813981	BRP710 LED30 CW MR HY SOLAR	Yes	Factory Configurable	100% Dusk to dawn
919515813983	BRP710 LED20 NW MR HY FDIM50 SOLAR	Yes	Factory Configurable	5hrs 100% + 7 hrs 50%
919515813984	BRP710 LED30 NW MR HY FDIM50 SOLAR	Yes	Factory Configurable	5hrs 100% + 7 hrs 50%
919515813987	BRP710 LED20 NW MR HY SOLAR	Yes	Factory Configurable	100% Dusk to dawn
919515813988	BRP710 LED30 NW MR HY SOLAR	Yes	Factory Configurable	100% Dusk to dawn
919515813990	BRP710 LED20 WW MR HY FDIM50 SOLAR	Yes	Factory Configurable	5hrs 100% + 7 hrs 50%
919515813991	BRP710 LED30 WW MR HY FDIM50 SOLAR	Yes	Factory Configurable	5hrs 100% + 7 hrs 50%
919515813994	BRP710 LED20 WW MR HY SOLAR	Yes	Factory Configurable	100% Dusk to dawn
919515813995	BRP710 LED30 WW MR HY SOLAR	Yes	Factory Configurable	100% Dusk to dawn
919515898031	BRP710 LED30 NW 60MO PDIM30 BLE SOLAR EX	Yes	Configurable	30% Dusk to dawn, 100% on motion. (Sensor disabled for 5 Hrs, after 5 Hrs)
919515812830	BRP710 LED45 CW MR S1 12V LFP Solar IN	Yes	Factory Configurable	30% Dusk to dawn, 100% on motion.

Order Code	Full Product Name	Dimmable	Configurability	Solar dimming profile
919515812831	BRP710 LED45 CW MR S1 12V FD30 Solar IN	Yes	Factory Configurable	5hrs 100% + 7 hrs 30%
919515813566	BRP710 LED45 CW MR S1 12V LFP Solar	Yes	Factory Configurable	30% Dusk to dawn, 100% on motion. (Sensor disabled for 5 Hrs, after 5 Hrs)
919515813567	BRP710 LED45 CW MR S1 12V FD30 Solar	Yes	Factory Configurable	5hrs 100% + 7 hrs 30%
919515813568	BRP710 LED45 WW MR S1 12V LFP Solar	Yes	Factory Configurable	30% Dusk to dawn, 100% on motion. (Sensor disabled for 5 Hrs, after 5 Hrs)
919515813569	BRP710 LED45 NW MR S1 12V LFP Solar	Yes	Factory Configurable	30% Dusk to dawn, 100% on motion. (Sensor disabled for 5 Hrs, after 5 Hrs)
919515813570	BRP710 LED45 WW MR S1 12V FD30 Solar	Yes	Factory Configurable	5hrs 100% + 7 hrs 30%
919515813571	BRP710 LED45 NW MR S1 12V FD30 Solar	Yes	Factory Configurable	5hrs 100% + 7 hrs 30%
919515814302	BRP710 LED45 WW 60MO PDIM30 BLE Solar	Yes	Configurable	30% Dusk to dawn, 100% on motion. (Sensor disabled for 5 Hrs, after 5 Hrs)
919515898029	BRP710 LED45 NW 60MO PDIM30 BLE SOLAR EX	Yes	Configurable	30% Dusk to dawn, 100% on motion. (Sensor disabled for 5 Hrs, after 5 Hrs)
919515898030	BRP710 LED45 CW 60MO PDIM30 BLE SOLAR EX	Yes	Configurable	30% Dusk to dawn, 100% on motion. (Sensor disabled for 5 Hrs, after 5 Hrs)
919615811180	BRP710 LED45 CW Housing KIT Solar	Yes	Factory Configurable	30% Dusk to dawn, 100% on motion. (Sensor disabled for 5 Hrs, after 5 Hrs)
919615811265	BRP710 P LED45 CW MR 12V LFP Solar P4125	Yes	Factory Configurable	30% Dusk to dawn, 100% on motion. (Sensor disabled for 5 Hrs, after 5 Hrs)
919515814304	BRP710 LED30 WW 60MO PDIM30 BLE Solar	Yes	Configurable	30% Dusk to dawn, 100% on motion. (Sensor disabled for 5 Hrs, after 5 Hrs)

Order Code	Full Product Name	Dimmable	Configurability	Solar dimming profile
919415811054	SPARE BT LFP 12.8V 13.6Ah SOLAR EQUIP	-	-	-
919415811055	SPARE BT LFP 12.8V 20Ah SOLAR EQUIP	-	-	-

Order Code	Full Product Name	Dimmable	Configurability	Solar dimming profile
919415811056	SPARE BT LFP 12.8V 30Ah SOLAR EQUIP	-	-	-

Mechanical and Housing

Order Code	Full Product Name	Battery location	Housing Color	Ingress protection code	Overall height	Overall length	Overall width
919515812627	BRP710 LED20 CW MR S1 12V 35MO FDIM50 So	Inside Luminaire	Gray	IP65	156 mm	684 mm	369 mm
919515812628	BRP710 LED20 CW MR S1 12V 35MO Solar Equ	Inside Luminaire	Gray	IP65	156 mm	684 mm	369 mm
919515812631	BRP710 LED20 CW MR S1 12V 35MO FDIM50 So	Inside Luminaire	Gray	IP65	156 mm	684 mm	369 mm
919515812632	BRP710 LED20 CW MR S1 12V 35MO Solar Equ	Inside Luminaire	Gray	IP65	156 mm	684 mm	369 mm
919515812969	BRP710 LED20 WW MR 12V 35MO FDIM50 Solar	Inside Luminaire	Gray	IP65	156 mm	684 mm	369 mm
919515812981	BRP710 LED20 NW MR 12V 35MO FDIM50 Solar	Inside Luminaire	Gray	IP65	156 mm	684 mm	369 mm
919515813174	BRP710 LED30 CW MR HY SOLAR IN	Integrated	RAL 7011	IP65	156 mm	684 mm	369 mm
919515813614	BRP710 LED20 CW MR HY SOLAR IN	Integrated	RAL 7011	IP65	156 mm	684 mm	369 mm
919515813615	BRP710 LED20 CW MR HY FDIM50 SOLAR IN	Integrated	RAL 7011	IP65	156 mm	684 mm	369 mm
919515813616	BRP710 LED30 CW MR HY FDIM50 SOLAR IN	Integrated	RAL 7011	IP65	156 mm	684 mm	369 mm
919515813168	BRP710 LED45 CW MR HY SOLAR IN	Integrated	RAL 7011	IP65	188 mm	757 mm	511 mm
919515813617	BRP710 LED45 CW MR HY FDIM50 SOLAR IN	Integrated	RAL 7011	IP65	188 mm	757 mm	511 mm
919515813754	BRP710 LED60 CW MR HY FDIM20 SOLAR IN	Integrated	RAL 7011	IP65	188 mm	757 mm	511 mm
919515813978	BRP710 LED45 CW MR HY FDIM50 SOLAR	Inside Luminaire	RAL 7011	IP65	188 mm	757 mm	511 mm
919515813979	BRP710 LED60 CW MR HY FDIM20 SOLAR	Inside Luminaire	RAL 7011	IP65	188 mm	757 mm	511 mm
919515813982	BRP710 LED45 CW MR HY SOLAR	Inside Luminaire	RAL 7011	IP65	188 mm	757 mm	511 mm
919515813985	BRP710 LED45 NW MR HY FDIM50 SOLAR	Inside Luminaire	RAL 7011	IP65	188 mm	757 mm	511 mm
919515813986	BRP710 LED60 NW MR HY FDIM20 SOLAR	Inside Luminaire	RAL 7011	IP65	188 mm	757 mm	511 mm
919515813989	BRP710 LED45 NW MR HY SOLAR	Inside Luminaire	RAL 7011	IP65	188 mm	757 mm	511 mm
919515813992	BRP710 LED45 WW MR HY FDIM50 SOLAR	Inside Luminaire	RAL 7011	IP65	188 mm	757 mm	511 mm
919515813993	BRP710 LED60 WW MR HY FDIM20 SOLAR	Inside Luminaire	RAL 7011	IP65	188 mm	757 mm	511 mm
919515813996	BRP710 LED45 WW MR HY SOLAR	Inside Luminaire	RAL 7011	IP65	188 mm	757 mm	511 mm
919515812387	BRP710 LED20 CW MR S1 12V LFP AIO Solar	Inside Luminaire	Gray	IP65	156 mm	684 mm	369 mm
919515812388	BRP710 LED30 CW MR S1 12V LFP AIO Solar	Inside Luminaire	Gray	IP65	156 mm	684 mm	369 mm
919515812389	BRP710 LED20 CW MR S1 12V LFP AIO Solar	Inside Luminaire	Gray	IP65	156 mm	684 mm	369 mm
919515812390	BRP710 LED30 CW MR S1 12V LFP AIO Solar	Inside Luminaire	Gray	IP65	156 mm	684 mm	369 mm
919515812625	BRP710 LED20 CW MR S1 12V 28PO PDIM50 So	Inside Luminaire	Gray	IP65	156 mm	684 mm	369 mm
919515812626	BRP710 LED20 CW MR S1 12V 35MO PDIM50 So	Inside Luminaire	Gray	IP65	156 mm	684 mm	369 mm
919515812629	BRP710 LED20 CW MR S1 12V 28PO PDIM50 So	Inside Luminaire	Gray	IP65	156 mm	684 mm	369 mm
919515812630	BRP710 LED20 CW MR S1 12V 35MO PDIM50 So	Inside Luminaire	Gray	IP65	156 mm	684 mm	369 mm
919515812966	BRP710 LED20 WW MR 12V LFP Solar	Inside Luminaire	Gray	IP65	156 mm	684 mm	369 mm
919515812967	BRP710 LED20 WW MR 12V 28PO PDIM50 Solar	Inside Luminaire	Gray	IP65	156 mm	684 mm	369 mm
919515812968	BRP710 LED20 WW MR 12V 35MO PDIM50 Solar	Inside Luminaire	Gray	IP65	156 mm	684 mm	369 mm
919515812970	BRP710 LED20 WW MR 12V 35MO Solar	Inside Luminaire	Gray	IP65	156 mm	684 mm	369 mm
919515812971	BRP710 LED30 WW MR 12V LFP AIO Solar	Inside Luminaire	Gray	IP65	156 mm	684 mm	369 mm
919515812978	BRP710 LED20 NW MR 12V LFP Solar	Inside Luminaire	Gray	IP65	156 mm	684 mm	369 mm
919515812979	BRP710 LED20 NW MR 12V 28PO PDIM50 Solar	Inside Luminaire	Gray	IP65	156 mm	684 mm	369 mm
919515812980	BRP710 LED20 NW MR 12V 35MO PDIM50 Solar	Inside Luminaire	Gray	IP65	156 mm	684 mm	369 mm
919515812982	BRP710 LED20 NW MR 12V 35MO Solar	Inside Luminaire	Gray	IP65	156 mm	684 mm	369 mm
919515812983	BRP710 LED30 NW MR 12V LFP AIO Solar	Inside Luminaire	Gray	IP65	156 mm	684 mm	369 mm
919515814301	BRP710 LED30 WW 35MO PDIM30 BLE Solar	Inside Luminaire	RAL 7011	IP65	156 mm	684 mm	369 mm

Order Code	Full Product Name	Battery location	Housing Color	Ingress protection code	Overall height	Overall length	Overall width
919515814303	BRP710 LED30 2700K 60MO PDM30 BLE Solar	Inside Luminaire	RAL 7011	IP65	156 mm	684 mm	369 mm
919515814406	BRP710 LED20 WW 28PO PDM50 BLE Solar	Inside Luminaire	RAL 7011	IP65	156 mm	684 mm	369 mm
919515898025	BRP710 LED20 NW 28PO PDM50 BLE SOLAR EX	Inside Luminaire	RAL 7011	IP65	156 mm	684 mm	369 mm
919515898026	BRP710 LED20 CW 28PO PDM50 BLE SOLAR EX	Inside Luminaire	RAL 7011	IP65	156 mm	684 mm	369 mm
919515898027	BRP710 LED30 NW 35MO PDM30 BLE SOLAR EX	Inside Luminaire	RAL 7011	IP65	156 mm	684 mm	369 mm
919515898028	BRP710 LED30 CW 35MO PDM30 BLE SOLAR EX	Inside Luminaire	RAL 7011	IP65	156 mm	684 mm	369 mm
919515898032	BRP710 LED30 CW 60MO PDM30 BLE SOLAR EX	Inside Luminaire	RAL 7011	IP65	156 mm	684 mm	369 mm
919515898033	BRP710 LED20 WW 35MO PDM50 BLE SOLAR EX	Inside Luminaire	RAL 7011	IP65	156 mm	684 mm	369 mm
919515898034	BRP710 LED20 NW 35MO PDM50 BLE SOLAR EX	Inside Luminaire	RAL 7011	IP65	156 mm	684 mm	369 mm
919515898035	BRP710 LED20 CW 35MO PDM50 BLE SOLAR EX	Inside Luminaire	RAL 7011	IP65	156 mm	684 mm	369 mm
919615811178	BRP710 LED20 CW Housing KIT Solar	Inside Luminaire	Gray	IP65	156 mm	684 mm	369 mm
919615811179	BRP710 LED30 CW Housing KIT Solar	Inside Luminaire	Gray	IP65	156 mm	684 mm	369 mm
919515813976	BRP710 LED20 CW MR HY FDM50 SOLAR	Inside Luminaire	RAL 7011	IP65	156 mm	684 mm	369 mm
919515813977	BRP710 LED30 CW MR HY FDM50 SOLAR	Inside Luminaire	RAL 7011	IP65	156 mm	684 mm	369 mm
919515813980	BRP710 LED20 CW MR HY SOLAR	Inside Luminaire	RAL 7011	IP65	156 mm	684 mm	369 mm
919515813981	BRP710 LED30 CW MR HY SOLAR	Inside Luminaire	RAL 7011	IP65	156 mm	684 mm	369 mm
919515813983	BRP710 LED20 NW MR HY FDM50 SOLAR	Inside Luminaire	RAL 7011	IP65	156 mm	684 mm	369 mm
919515813984	BRP710 LED30 NW MR HY FDM50 SOLAR	Inside Luminaire	RAL 7011	IP65	156 mm	684 mm	369 mm
919515813987	BRP710 LED20 NW MR HY SOLAR	Inside Luminaire	RAL 7011	IP65	156 mm	684 mm	369 mm
919515813988	BRP710 LED30 NW MR HY SOLAR	Inside Luminaire	RAL 7011	IP65	156 mm	684 mm	369 mm
919515813990	BRP710 LED20 WW MR HY FDM50 SOLAR	Inside Luminaire	RAL 7011	IP65	156 mm	684 mm	369 mm
919515813991	BRP710 LED30 WW MR HY FDM50 SOLAR	Inside Luminaire	RAL 7011	IP65	156 mm	684 mm	369 mm
919515813994	BRP710 LED20 WW MR HY SOLAR	Inside Luminaire	RAL 7011	IP65	156 mm	684 mm	369 mm
919515813995	BRP710 LED30 WW MR HY SOLAR	Inside Luminaire	RAL 7011	IP65	156 mm	684 mm	369 mm
919515898031	BRP710 LED30 NW 60MO PDM30 BLE SOLAR EX	Inside Luminaire	RAL 7011	IP65	156 mm	684 mm	369 mm
919515812830	BRP710 LED45 CW MR S1 12V LFP Solar IN	Inside Luminaire	Gray	IP65	188 mm	757 mm	511 mm
919515812831	BRP710 LED45 CW MR S1 12V FD30 Solar IN	Inside Luminaire	Gray	IP65	188 mm	757 mm	511 mm
919515813566	BRP710 LED45 CW MR S1 12V LFP Solar	Inside Luminaire	Gray	IP65	188 mm	757 mm	511 mm
919515813567	BRP710 LED45 CW MR S1 12V FD30 Solar	Inside Luminaire	Gray	IP65	188 mm	757 mm	511 mm
919515813568	BRP710 LED45 WW MR S1 12V LFP Solar	Inside Luminaire	Gray	IP65	188 mm	757 mm	511 mm
919515813569	BRP710 LED45 NW MR S1 12V LFP Solar	Inside Luminaire	Gray	IP65	188 mm	757 mm	511 mm
919515813570	BRP710 LED45 WW MR S1 12V FD30 Solar	Inside Luminaire	Gray	IP65	188 mm	757 mm	511 mm
919515813571	BRP710 LED45 NW MR S1 12V FD30 Solar	Inside Luminaire	Gray	IP65	188 mm	757 mm	511 mm
919515814302	BRP710 LED45 WW 60MO PDM30 BLE Solar	Inside Luminaire	RAL 7011	IP65	188 mm	757 mm	511 mm
919515898029	BRP710 LED45 NW 60MO PDM30 BLE SOLAR EX	Inside Luminaire	RAL 7011	IP65	188 mm	757 mm	511 mm
919515898030	BRP710 LED45 CW 60MO PDM30 BLE SOLAR EX	Inside Luminaire	RAL 7011	IP65	188 mm	757 mm	511 mm
919615811180	BRP710 LED45 CW Housing KIT Solar	Inside Luminaire	Gray	IP65	188 mm	757 mm	511 mm
919615811265	BRP710 P LED45 CW MR 12V LFP Solar P4125	Inside Luminaire	Gray	IP65	188 mm	757 mm	511 mm
919515814304	BRP710 LED30 WW 60MO PDM30 BLE Solar	Inside Luminaire	RAL 7011	IP65	156 mm	684 mm	369 mm
919415811054	SPARE BT LFP 12.8V 13.6Ah SOLAR EQUIP	-	-	-	220 mm	175 mm	50 mm
919415811055	SPARE BT LFP 12.8V 20Ah SOLAR EQUIP	-	-	-	300 mm	175 mm	60 mm
919415811056	SPARE BT LFP 12.8V 30Ah SOLAR EQUIP	-	-	-	300 mm	175 mm	60 mm

Application Conditions

Order Code	Full Product Name	Ambient temperature range for discharging (when light is on)	Order Code	Full Product Name	Ambient temperature range for discharging (when light is on)
919515812627	BRP710 LED20 CW MR S1 12V 35MO FDM50 So	-20 °C to +35 °C	919515812631	BRP710 LED20 CW MR S1 12V 35MO FDM50 So	-20 °C to +35 °C
919515812628	BRP710 LED20 CW MR S1 12V 35MO Solar Equ	-20 °C to +35 °C	919515812632	BRP710 LED20 CW MR S1 12V 35MO Solar Equ	-20 °C to +35 °C

Order Code	Full Product Name	Ambient temperature range for discharging (when light is on)
919515812969	BRP710 LED20 WW MR 12V 35MO FDIM50 Solar	-20 °C to +35 °C
919515812981	BRP710 LED20 NW MR 12V 35MO FDIM50 Solar	-20 °C to +35 °C
919515813174	BRP710 LED30 CW MR HY SOLAR IN	-20 °C to +35 °C
919515813614	BRP710 LED20 CW MR HY SOLAR IN	-20 °C to +35 °C
919515813615	BRP710 LED20 CW MR HY FDIM50 SOLAR IN	-20 °C to +35 °C
919515813616	BRP710 LED30 CW MR HY FDIM50 SOLAR IN	-20 °C to +35 °C
919515813168	BRP710 LED45 CW MR HY SOLAR IN	-20 °C to +35 °C
919515813617	BRP710 LED45 CW MR HY FDIM50 SOLAR IN	-20 °C to +35 °C
919515813754	BRP710 LED60 CW MR HY FDIM20 SOLAR IN	-20 °C to +35 °C
919515813978	BRP710 LED45 CW MR HY FDIM50 SOLAR	-20 °C to +35 °C
919515813979	BRP710 LED60 CW MR HY FDIM20 SOLAR	-20 °C to +35 °C
919515813982	BRP710 LED45 CW MR HY SOLAR	-20 °C to +35 °C
919515813985	BRP710 LED45 NW MR HY FDIM50 SOLAR	-20 °C to +35 °C
919515813986	BRP710 LED60 NW MR HY FDIM20 SOLAR	-20 °C to +35 °C
919515813989	BRP710 LED45 NW MR HY SOLAR	-20 °C to +35 °C
919515813992	BRP710 LED45 WW MR HY FDIM50 SOLAR	-20 °C to +35 °C
919515813993	BRP710 LED60 WW MR HY FDIM20 SOLAR	-20 °C to +35 °C
919515813996	BRP710 LED45 WW MR HY SOLAR	-20 °C to +35 °C
919515812387	BRP710 LED20 CW MR S1 12V LFP AIO Solar	-20 °C to +35 °C
919515812388	BRP710 LED30 CW MR S1 12V LFP AIO Solar	-20 °C to +35 °C
919515812389	BRP710 LED20 CW MR S1 12V LFP AIO Solar	-20 °C to +35 °C
919515812390	BRP710 LED30 CW MR S1 12V LFP AIO Solar	-20 °C to +35 °C
919515812625	BRP710 LED20 CW MR S1 12V 28PO PDIM50 So	-20 °C to +35 °C
919515812626	BRP710 LED20 CW MR S1 12V 35MO PDIM50 So	-20 °C to +35 °C
919515812629	BRP710 LED20 CW MR S1 12V 28PO PDIM50 So	-20 °C to +35 °C
919515812630	BRP710 LED20 CW MR S1 12V 35MO PDIM50 So	-20 °C to +35 °C
919515812966	BRP710 LED20 WW MR 12V LFP Solar	-20 °C to +35 °C
919515812967	BRP710 LED20 WW MR 12V 28PO PDIM50 Solar	-20 °C to +35 °C
919515812968	BRP710 LED20 WW MR 12V 35MO PDIM50 Solar	-20 °C to +35 °C

Order Code	Full Product Name	Ambient temperature range for discharging (when light is on)
919515812970	BRP710 LED20 WW MR 12V 35MO Solar	-20 °C to +35 °C
919515812971	BRP710 LED30 WW MR 12V LFP AIO Solar	-20 °C to +35 °C
919515812978	BRP710 LED20 NW MR 12V LFP Solar	-20 °C to +35 °C
919515812979	BRP710 LED20 NW MR 12V 28PO PDIM50 Solar	-20 °C to +35 °C
919515812980	BRP710 LED20 NW MR 12V 35MO PDIM50 Solar	-20 °C to +35 °C
919515812982	BRP710 LED20 NW MR 12V 35MO Solar	-20 °C to +35 °C
919515812983	BRP710 LED30 NW MR 12V LFP AIO Solar	-20 °C to +35 °C
919515814301	BRP710 LED30 WW 35MO PDIM30 BLE Solar	-20 °C to +35 °C
919515814303	BRP710 LED30 2700K 60MO PDM30 BLE Solar	-20 °C to +35 °C
919515814406	BRP710 LED20 WW 28PO PDIM50 BLE Solar	-20 °C to +35 °C
919515898025	BRP710 LED20 NW 28PO PDIM50 BLE SOLAR EX	-20 °C to +35 °C
919515898026	BRP710 LED20 CW 28PO PDIM50 BLE SOLAR EX	-20 °C to +35 °C
919515898027	BRP710 LED30 NW 35MO PDIM30 BLE SOLAR EX	-20 °C to +35 °C
919515898028	BRP710 LED30 CW 35MO PDIM30 BLE SOLAR EX	-20 °C to +35 °C
919515898032	BRP710 LED30 CW 60MO PDIM30 BLE SOLAR EX	-20 °C to +35 °C
919515898033	BRP710 LED20 WW 35MO PDIM50 BLE SOLAR EX	-20 °C to +35 °C
919515898034	BRP710 LED20 NW 35MO PDIM50 BLE SOLAR EX	-20 °C to +35 °C
919515898035	BRP710 LED20 CW 35MO PDIM50 BLE SOLAR EX	-20 °C to +35 °C
919615811178	BRP710 LED20 CW Housing KIT Solar	-20 °C to +35 °C
919615811179	BRP710 LED30 CW Housing KIT Solar	-20 °C to +35 °C
919515813976	BRP710 LED20 CW MR HY FDIM50 SOLAR	-20 °C to +35 °C
919515813977	BRP710 LED30 CW MR HY FDIM50 SOLAR	-20 °C to +35 °C
919515813980	BRP710 LED20 CW MR HY SOLAR	-20 °C to +35 °C
919515813981	BRP710 LED30 CW MR HY SOLAR	-20 °C to +35 °C
919515813983	BRP710 LED20 NW MR HY FDIM50 SOLAR	-20 °C to +35 °C
919515813984	BRP710 LED30 NW MR HY FDIM50 SOLAR	-20 °C to +35 °C
919515813987	BRP710 LED20 NW MR HY SOLAR	-20 °C to +35 °C
919515813988	BRP710 LED30 NW MR HY SOLAR	-20 °C to +35 °C
919515813990	BRP710 LED20 WW MR HY FDIM50 SOLAR	-20 °C to +35 °C

Order Code	Full Product Name	Ambient temperature range for discharging (when light is on)
919515813991	BRP710 LED30 WW MR HY FDIM50 SOLAR	-20 °C to +35 °C
919515813994	BRP710 LED20 WW MR HY SOLAR	-20 °C to +35 °C
919515813995	BRP710 LED30 WW MR HY SOLAR	-20 °C to +35 °C
919515898031	BRP710 LED30 NW 60MO PDIM30 BLE SOLAR EX	-20 °C to +35 °C
919515812830	BRP710 LED45 CW MR S1 12V LFP Solar IN	-20 °C to +35 °C
919515812831	BRP710 LED45 CW MR S1 12V FD30 Solar IN	-20 °C to +35 °C
919515813566	BRP710 LED45 CW MR S1 12V LFP Solar	-20 °C to +35 °C
919515813567	BRP710 LED45 CW MR S1 12V FD30 Solar	-20 °C to +35 °C
919515813568	BRP710 LED45 WW MR S1 12V LFP Solar	-20 °C to +35 °C
919515813569	BRP710 LED45 NW MR S1 12V LFP Solar	-20 °C to +35 °C
919515813570	BRP710 LED45 WW MR S1 12V FD30 Solar	-20 °C to +35 °C

Order Code	Full Product Name	Ambient temperature range for discharging (when light is on)
919515813571	BRP710 LED45 NW MR S1 12V FD30 Solar	-20 °C to +35 °C
919515814302	BRP710 LED45 WW 60MO PDIM30 BLE Solar	-20 °C to +35 °C
919515898029	BRP710 LED45 NW 60MO PDIM30 BLE SOLAR EX	-20 °C to +35 °C
919515898030	BRP710 LED45 CW 60MO PDIM30 BLE SOLAR EX	-20 °C to +35 °C
919615811180	BRP710 LED45 CW Housing KIT Solar	-20 °C to +35 °C
919615811265	BRP710 P LED45 CW MR 12V LFP Solar P4125	-20 °C to +35 °C
919515814304	BRP710 LED30 WW 60MO PDIM30 BLE Solar	-20 °C to +35 °C
919415811054	SPARE BT LFP 12.8V 13.6Ah SOLAR EQUIP	-20 °C to +60 °C
919415811055	SPARE BT LFP 12.8V 20Ah SOLAR EQUIP	-20 °C to +60 °C
919415811056	SPARE BT LFP 12.8V 30Ah SOLAR EQUIP	-20 °C to +60 °C

