



Retrofit instantáneo, ahorros instantáneos

LED Corn Cobs

Las lámparas de reemplazo Philips Corn Cob HID son el reemplazo perfecto de los LED para una amplia variedad de aplicaciones en exteriores. Iluminación de alta intensidad, lo que significa que se obtiene una mayor visibilidad para aplicaciones como calles, áreas públicas y mucho más por una fracción de la energía utilizada por el HID convencional.

Beneficios

- Ahorros de energía del >50 %
- iluminación omnidireccional que permite su uso en una variedad de aplicaciones

Características

- Base EX39 estándar para reemplazar lámparas de haluro metálico y las opciones de E39
- Disponible en 3000K, 4000K y 5000K CCT
- Disponible en rangos de opciones de reemplazo entre 70W y 400W, y hasta 16 800 lúmenes
- Garantía limitada de 3 años
- Sobretensión 4 y 6 kV

Aplicaciones

- Luces de pared, luminarias shoebox, postes...
- Estacionamientos, áreas públicas y oficinas al aire libre

LED Corn Cobs

Versions



LEDTForce Corncob EX39 5



LEDTForce LS NAM1 Corncob EX39 1



LEDTForce LS DLC Corncob 3



LEDTForce LS NAM1 Corncob EX39 3



Product standard image



LEDTForce Corncob E26 3



LEDTForce Corncob EX39 1



Product standard image



LEDTForce Corncob E26 1



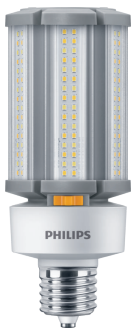
Product standard image



Product standard image



LEDTForce LS NAM1 Corncob EX39 2



LEDTForce LS DLC Corncob 1



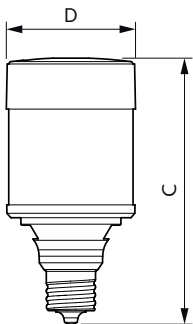
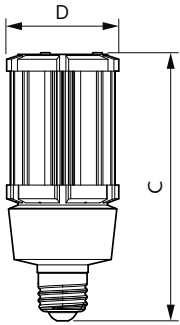
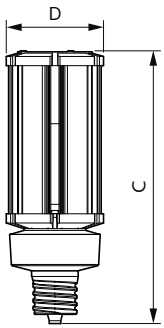
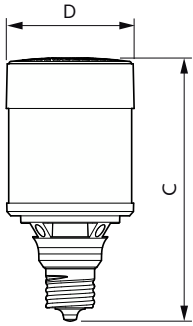
LEDTForce Corncob E26 2



Product standard image

LED Corn Cobs

Plano de dimensiones



Product	D	C
115CC/LED/3CCT/LS EX39 BB 3/1	102 mm	211 mm
145CC/LED/3CCT/LS EX39 BB 3/1	102 mm	211 mm

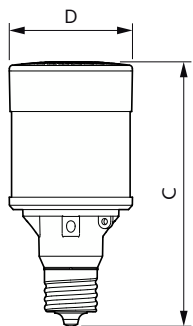
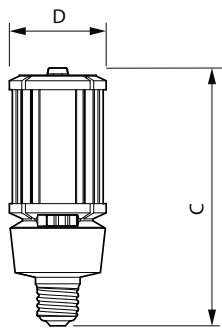
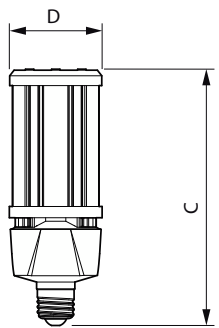
Product	D	C
45CC/LED/3CCT/LS EX39 G3 BB 3/1	85 mm	245 mm
45CC/LED/830/LS EX39 G3 BB 3/1	85 mm	245 mm
45CC/LED/840/LS EX39 G3 BB 3/1	85 mm	245 mm
45CC/LED/850/LS EX39 G3 BB 3/1	85 mm	245 mm
54CC/LED/3CCT/LS EX39 G3 BB 3/1	85 mm	245 mm
54CC/LED/830/LS EX39 G3 BB 3/1	85 mm	245 mm
54CC/LED/840/LS EX39 G3 BB 3/1	85 mm	245 mm
54CC/LED/850/LS EX39 G3 BB 3/1	85 mm	245 mm

Product	D	C
18CC/LED/830/ND E26 G2 BB 6/1	60 mm	145 mm
18CC/LED/840/ND E26 G2 BB 6/1	60 mm	145 mm
18CC/LED/850/ND E26 G2 BB 6/1	60 mm	145 mm

Product	D	C
115CC/LED/840/LS EX39 G2 BB 277-480V 3/1	102 mm	211 mm
115CC/LED/840/LS EX39 G2 BB 3/1	102 mm	211 mm
115CC/LED/850/LS EX39 G2 BB 277-480V 3/1	102 mm	211 mm
115CC/LED/850/LS EX39 G2 BB 3/1	102 mm	211 mm
150CC/LED/840/LS EX39 G2 BB 277-480V 3/1	102 mm	211 mm
150CC/LED/840/LS EX39 G2 BB 3/1	102 mm	211 mm
150CC/LED/850/LS EX39 G2 BB 277-480V 3/1	102 mm	211 mm
150CC/LED/850/LS EX39 G2 BB 3/1	102 mm	211 mm

LED Corn Cobs

Plano de dimensiones



Product	D	C
36-27-18CC/LED/3PW/3CCT/Ex39 BB 3/1	67 mm	202 mm

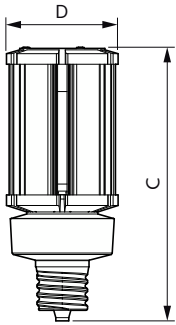
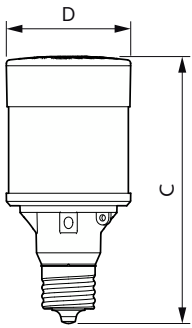
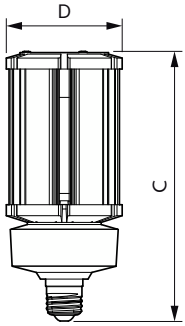
Product	D	C
36-27-18CC/LED/3PW/3CCT/E26 BB 6/1	67 mm	185 mm

Product	D	C
18-12-9CC/LED/3PW/3CCT/E26 BB 6/1	61 mm	161 mm

Product	D	C
80CC/LED/3CCT/LS EX39 BB 3/1	91 mm	196 mm

LED Corn Cobs

Plano de dimensiones



Product	D	C
36CC/LED/830/ND E26 G2 BB 6/1	85 mm	201 mm
36CC/LED/840/ND E26 G2 BB 6/1	85 mm	201 mm
36CC/LED/850/ND E26 G2 BB 6/1	85 mm	201 mm

Product	D	C
80CC/LED/840/LS EX39 G2 BB 3/1	91 mm	196 mm
80CC/LED/850/LS EX39 G2 BB 3/1	91 mm	196 mm

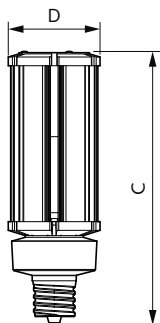
Product	D	C
36CC/LED/3CCT/LS EX39 G3 BB 3/1	85 mm	215 mm
36CC/LED/830/LS EX39 G3 BB 3/1	85 mm	215 mm
36CC/LED/840/LS EX39 G3 BB 3/1	85 mm	215 mm
36CC/LED/850/LS EX39 G3 BB 3/1	85 mm	215 mm

Product	D	C
54-45-36CC/LED/3PW/3CCT/Ex39 BB 3/1	81 mm	225 mm

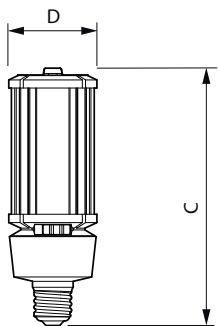


LED Corn Cobs

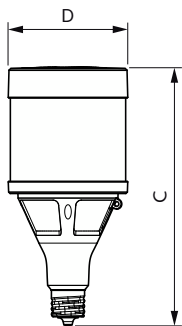
Plano de dimensiones



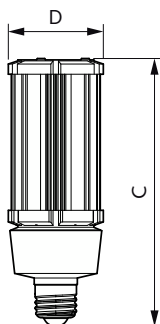
Product	D	C
63CC/LED/3CCT/LS EX39 G3 BB 3/1	85 mm	260 mm
63CC/LED/830/LS EX39 G3 BB 3/1	85 mm	260 mm
63CC/LED/840/LS EX39 G3 BB 3/1	85 mm	260 mm
63CC/LED/850/LS EX39 G3 BB 3/1	85 mm	260 mm



Product	D	C
27-18-12CC/LED/3PW/3CCT/E26 BB 6/1	61 mm	177 mm



Product	D	C
450CC/LED/840/LS EX39 BB 3/1	142 mm	308 mm
450CC/LED/850/LS EX39 BB 3/1	142 mm	308 mm



Product	D	C
27CC/LED/830/ND E26 G2 BB 6/1	60 mm	170 mm
27CC/LED/840/ND E26 G2 BB 6/1	60 mm	170 mm
27CC/LED/850/ND E26 G2 BB 6/1	60 mm	170 mm

LED Corn Cobs

Información general

Ciclo del interruptor	50,000
Vida útil nominal	50,000 hora(s)

Información técnica sobre la luz

LLMF al final de la vida útil nominal (nominal)	70 %
---	------

Operación y aspectos eléctricos

Frecuencia de entrada	50 a 60 Hz
-----------------------	------------

Mecánica y carcasa

Acabado de la luz	Transparente
Forma del foco	Corncob

Información general

Order Code	Full Product Name	Tapa-base
929002999204	45CC/LED/830/LS EX39 G3 BB 3/1	EX39
929002999304	45CC/LED/840/LS EX39 G3 BB 3/1	EX39
929002999404	45CC/LED/850/LS EX39 G3 BB 3/1	EX39
929002999504	54CC/LED/830/LS EX39 G3 BB 3/1	EX39
929002999604	54CC/LED/840/LS EX39 G3 BB 3/1	EX39
929002999704	54CC/LED/850/LS EX39 G3 BB 3/1	EX39
929003631404	80CC/LED/3CCT/LS EX39 BB 3/1	EX39
929003065304	45CC/LED/3CCT/LS EX39 G3 BB 3/1	EX39
929003065404	54CC/LED/3CCT/LS EX39 G3 BB 3/1	EX39
9290029996704	150CC/LED/840/LS EX39 G2 BB 3/1	EX39
9290029996804	150CC/LED/850/LS EX39 G2 BB 3/1	EX39
929003507204	150CC/LED/840/LS EX39 G2 BB 277-480V 3/1	EX39
929003507304	150CC/LED/850/LS EX39 G2 BB 277-480V 3/1	EX39
929002999804	63CC/LED/830/LS EX39 G3 BB 3/1	EX39
929002999904	63CC/LED/840/LS EX39 G3 BB 3/1	EX39
929003000004	63CC/LED/850/LS EX39 G3 BB 3/1	EX39
929003065504	63CC/LED/3CCT/LS EX39 G3 BB 3/1	EX39
929003631604	145CC/LED/3CCT/LS EX39 BB 3/1	EX39
929004258104	36-27-18CC/LED/3PW/3CCT/E26 BB 6/1	E26
929002395804	36CC/LED/830/ND E26 G2 BB 6/1	E26
929002395904	36CC/LED/840/ND E26 G2 BB 6/1	E26
929002396004	36CC/LED/850/ND E26 G2 BB 6/1	E26
9290029996104	80CC/LED/840/LS EX39 G2 BB 3/1	EX39

Order Code	Full Product Name	Tapa-base
929002996204	80CC/LED/850/LS EX39 G2 BB 3/1	EX39
929004258004	27-18-12CC/LED/3PW/3CCT/E26 BB 6/1	E26
929002395204	18CC/LED/830/ND E26 G2 BB 6/1	E26
929002395304	18CC/LED/840/ND E26 G2 BB 6/1	E26
929002395404	18CC/LED/850/ND E26 G2 BB 6/1	E26
929004257904	18-12-9CC/LED/3PW/3CCT/E26 BB 6/1	E26
929004258204	36-27-18CC/LED/3PW/3CCT/Ex39 BB 3/1	EX39
929003631504	115CC/LED/3CCT/LS EX39 BB 3/1	EX39
929003065204	36CC/LED/3CCT/LS EX39 G3 BB 3/1	EX39
929002395504	27CC/LED/830/ND E26 G2 BB 6/1	E26
929002395604	27CC/LED/840/ND E26 G2 BB 6/1	E26
929002395704	27CC/LED/850/ND E26 G2 BB 6/1	E26
929004258304	54-45-36CC/LED/3PW/3CCT/Ex39 BB 3/1	EX39
929003019704	450CC/LED/840/LS EX39 BB 3/1	EX39
929003019804	450CC/LED/850/LS EX39 BB 3/1	EX39
929002998904	36CC/LED/830/LS EX39 G3 BB 3/1	EX39
929002999004	36CC/LED/840/LS EX39 G3 BB 3/1	EX39
929002999104	36CC/LED/850/LS EX39 G3 BB 3/1	EX39
929002996404	115CC/LED/840/LS EX39 G2 BB 3/1	EX39
929002996504	115CC/LED/850/LS EX39 G2 BB 3/1	EX39
929003507004	115CC/LED/840/LS EX39 G2 BB 277-480V 3/1	EX39
929003507104	115CC/LED/850/LS EX39 G2 BB 277-480V 3/1	EX39

Información técnica sobre la luz

Order Code	Full Product Name	Temperatura de color correlacionada (nominal)	Índice de producción de color (IRC)	Código de color	Flujo luminoso
929002999204	45CC/LED/830/LS EX39 G3 BB 3/1	3000 K	80	830	6,200 lm

Order Code	Full Product Name	Temperatura de color correlacionada (nominal)	Índice de producción de color (IRC)	Código de color	Flujo luminoso
929002999304	45CC/LED/840/LS EX39 G3 BB 3/1	4000 K	80	840	6,500 lm

LED Corn Cobs

Order Code	Full Product Name	Temperatura de color correlacionada (nominal)	Índice de producción de color (IRC)	Código de color	Flujo luminoso
929002999404	45CC/LED/850/LS EX39 G3 BB 3/1	5000 K	80	850	6,700 lm
929002999504	54CC/LED/830/LS EX39 G3 BB 3/1	3000 K	80	830	7,500 lm
929002999604	54CC/LED/840/LS EX39 G3 BB 3/1	4000 K	80	840	7,800 lm
929002999704	54CC/LED/850/LS EX39 G3 BB 3/1	5000 K	80	850	8,000 lm
929003631404	80CC/LED/3CCT/LS EX39 BB 3/1	3000 K	80	3000K/4000K/5000K	11,500 lm
929003065304	45CC/LED/3CCT/LS EX39 G3 BB 3/1	Selectable	80	850	-
929003065404	54CC/LED/3CCT/LS EX39 G3 BB 3/1	Selectable	80	850	-
929002996704	150CC/LED/840/LS EX39 G2 BB 3/1	-	-	-	-
929002996804	150CC/LED/850/LS EX39 G2 BB 3/1	-	-	-	-
929003507204	150CC/LED/840/LS EX39 G2 BB 277-480V 3/1	4000 K	80	840	23,500 lm
929003507304	150CC/LED/850/LS EX39 G2 BB 277-480V 3/1	5000 K	80	850	23,500 lm
929002999804	63CC/LED/830/LS EX39 G3 BB 3/1	3000 K	80	830	8,600 lm
929002999904	63CC/LED/840/LS EX39 G3 BB 3/1	4000 K	80	840	9,000 lm
929003000004	63CC/LED/850/LS EX39 G3 BB 3/1	5000 K	80	850	9,200 lm
929003065504	63CC/LED/3CCT/LS EX39 G3 BB 3/1	Selectable	80	850	-
929003631604	145CC/LED/3CCT/LS EX39 BB 3/1	3000 K	80	3000K/4000K/5000K	20,500 lm

Order Code	Full Product Name	Temperatura de color correlacionada (nominal)	Índice de producción de color (IRC)	Código de color	Flujo luminoso
929004258104	36-27-18CC/LED/3PW/3CCT/E26 BB 6/1	3000 K	80	3000K/4000K/5000K	5,000 lm
929002395804	36CC/LED/830/ND E26 G2 BB 6/1	3000 K	80	830	5,000 lm
929002395904	36CC/LED/840/ND E26 G2 BB 6/1	4000 K	80	840	5,200 lm
929002396004	36CC/LED/850/ND E26 G2 BB 6/1	5000 K	80	850	5,400 lm
929002996104	80CC/LED/840/LS EX39 G2 BB 3/1	-	-	-	-
929002996204	80CC/LED/850/LS EX39 G2 BB 3/1	-	-	-	-
929004258004	27-18-12CC/LED/3PW/3CCT/E26 BB 6/1	3000 K	80	3000K/4000K/5000K	3,800 lm
929002395204	18CC/LED/830/ND E26 G2 BB 6/1	3000 K	80	830	2,300 lm
929002395304	18CC/LED/840/ND E26 G2 BB 6/1	4000 K	80	840	2,400 lm
929002395404	18CC/LED/850/ND E26 G2 BB 6/1	5000 K	80	850	2,500 lm
929004257904	18-12-9CC/LED/3PW/3CCT/E26 BB 6/1	3000 K	80	3000K/4000K/5000K	2,400 lm
929004258204	36-27-18CC/LED/3PW/3CCT/Ex39 BB 3/1	3000 K	80	3000K/4000K/5000K	5,000 lm
929003631504	115CC/LED/3CCT/LS EX39 BB 3/1	3000 K	80	3000K/4000K/5000K	15,800 lm
929003065204	36CC/LED/3CCT/LS EX39 G3 BB 3/1	Selectable	80	850	-
929002395504	27CC/LED/830/ND E26 G2 BB 6/1	3000 K	80	830	3,500 lm
929002395604	27CC/LED/840/ND E26 G2 BB 6/1	4000 K	80	840	3,700 lm

LED Corn Cobs

Order Code	Full Product Name	Temperatura de color correlacionada (nominal)	Índice de producción de color (IRC)	Código de color	Flujo luminoso
929002395704	27CC/LED/850/ND E26 G2 BB 6/1	5000 K	80	850	3,800 lm
929004258304	54-45-36CC/LED/3PW/3CCT/Ex39 BB 3/1	3000 K	80	3000K/4000K/5000K	7,500 lm
929003019704	450CC/LED/840/LS EX39 BB 3/1	4000 K	80	840	65,000 lm
929003019804	450CC/LED/850/LS EX39 BB 3/1	5000 K	80	850	65,000 lm
929002998904	36CC/LED/830/LS EX39 G3 BB 3/1	3000 K	80	830	5,000 lm
929002999004	36CC/LED/840/LS EX39 G3 BB 3/1	4000 K	80	840	5,200 lm

Order Code	Full Product Name	Temperatura de color correlacionada (nominal)	Índice de producción de color (IRC)	Código de color	Flujo luminoso
929002999104	36CC/LED/850/LS EX39 G3 BB 3/1	5000 K	80	850	5,400 lm
929002996404	115CC/LED/840/LS EX39 G2 BB 3/1	-	-	-	-
929002996504	115CC/LED/850/LS EX39 G2 BB 3/1	-	-	-	-
929003507004	115CC/LED/840/LS EX39 G2 BB 277-480V 3/1	4000 K	80	840	18,000 lm
929003507104	115CC/LED/850/LS EX39 G2 BB 277-480V 3/1	5000 K	80	850	18,000 lm

Operación y aspectos eléctricos

Order Code	Full Product Name	Frecuencia de línea	Consumo de energía	Tiempo de inicio (nominal)
929002999204	45CC/LED/830/LS EX39 G3 BB 3/1	50 to 60 Hz	45 W	1 s
929002999304	45CC/LED/840/LS EX39 G3 BB 3/1	50 to 60 Hz	45 W	1 s
929002999404	45CC/LED/850/LS EX39 G3 BB 3/1	50 to 60 Hz	45 W	1 s
929002999504	54CC/LED/830/LS EX39 G3 BB 3/1	50 to 60 Hz	54 W	1 s
929002999604	54CC/LED/840/LS EX39 G3 BB 3/1	50 to 60 Hz	54 W	1 s
929002999704	54CC/LED/850/LS EX39 G3 BB 3/1	50 to 60 Hz	54 W	1 s
929003631404	80CC/LED/3CCT/LS EX39 BB 3/1	-	80 W	2 s
929003065304	45CC/LED/3CCT/LS EX39 G3 BB 3/1	50 to 60 Hz	45 W	1 s
929003065404	54CC/LED/3CCT/LS EX39 G3 BB 3/1	50 to 60 Hz	54 W	1 s
929002996704	150CC/LED/840/LS EX39 G2 BB 3/1	50 to 60 Hz	150 W	-
929002996804	150CC/LED/850/LS EX39 G2 BB 3/1	50 to 60 Hz	150 W	-
929003507204	150CC/LED/840/LS EX39 G2 BB 277-480V 3/1	50 to 60 Hz	150 W	1.5 s

Order Code	Full Product Name	Frecuencia de línea	Consumo de energía	Tiempo de inicio (nominal)
929003507304	150CC/LED/850/LS EX39 G2 BB 277-480V 3/1	50 to 60 Hz	150 W	1.5 s
929002999804	63CC/LED/830/LS EX39 G3 BB 3/1	50 to 60 Hz	63 W	1 s
929002999904	63CC/LED/840/LS EX39 G3 BB 3/1	50 to 60 Hz	63 W	1 s
929003000004	63CC/LED/850/LS EX39 G3 BB 3/1	50 to 60 Hz	63 W	1 s
929003065504	63CC/LED/3CCT/LS EX39 G3 BB 3/1	50 to 60 Hz	63 W	1 s
929003631604	145CC/LED/3CCT/LS EX39 BB 3/1	-	145 W	2 s
929004258104	36-27-18CC/LED/3PW/3CCT/E26 BB 6/1	-	36 W	1.5 s
929002395804	36CC/LED/830/ND E26 G2 BB 6/1	50 to 60 Hz	36 W	1 s
929002395904	36CC/LED/840/ND E26 G2 BB 6/1	50 to 60 Hz	36 W	1 s
929002396004	36CC/LED/850/ND E26 G2 BB 6/1	50 to 60 Hz	36 W	1 s
929002996104	80CC/LED/840/LS EX39 G2 BB 3/1	50 to 60 Hz	80 W	-
929002996204	80CC/LED/850/LS EX39 G2 BB 3/1	50 to 60 Hz	80 W	-
929004258004	27-18-12CC/LED/3PW/3CCT/E26 BB 6/1	-	27 W	1.5 s

LED Corn Cobs

Order Code	Full Product Name	Frecuencia de línea	Consumo de energía	Tiempo de inicio (nominal)
929002395204	18CC/LED/830/ND E26 G2 BB 6/1	50 to 60 Hz	18 W	1 s
929002395304	18CC/LED/840/ND E26 G2 BB 6/1	50 to 60 Hz	18 W	1 s
929002395404	18CC/LED/850/ND E26 G2 BB 6/1	50 to 60 Hz	18 W	1 s
929004257904	18-12-9CC/LED/3PW/3CCT/E26 BB 6/1	-	18 W	1.5 s
929004258204	36-27-18CC/LED/3PW/3CCT/Ex39 BB 3/1	-	36 W	1.5 s
929003631504	115CC/LED/3CCT/LS EX39 BB 3/1	-	115 W	2 s
929003065204	36CC/LED/3CCT/LS EX39 G3 BB 3/1	50 to 60 Hz	36 W	1 s
929002395504	27CC/LED/830/ND E26 G2 BB 6/1	50 to 60 Hz	27 W	1 s
929002395604	27CC/LED/840/ND E26 G2 BB 6/1	50 to 60 Hz	27 W	1 s
929002395704	27CC/LED/850/ND E26 G2 BB 6/1	50 to 60 Hz	27 W	1 s
929004258304	54-45-36CC/LED/3PW/3CCT/Ex39 BB 3/1	-	54 W	1.5 s

Order Code	Full Product Name	Frecuencia de línea	Consumo de energía	Tiempo de inicio (nominal)
929003019704	450CC/LED/840/LS EX39 BB 3/1	50 to 60 Hz	450 W	2 s
929003019804	450CC/LED/850/LS EX39 BB 3/1	50 to 60 Hz	450 W	2 s
929002998904	36CC/LED/830/LS EX39 G3 BB 3/1	50 to 60 Hz	36 W	1 s
929002999004	36CC/LED/840/LS EX39 G3 BB 3/1	50 to 60 Hz	36 W	1 s
929002999104	36CC/LED/850/LS EX39 G3 BB 3/1	50 to 60 Hz	36 W	1 s
929002996404	115CC/LED/840/LS EX39 G2 BB 3/1	50 to 60 Hz	115 W	-
929002996504	115CC/LED/850/LS EX39 G2 BB 3/1	50 to 60 Hz	115 W	-
929003507004	115CC/LED/840/LS EX39 G2 BB 277-480V 3/1	50 to 60 Hz	115 W	1.5 s
929003507104	115CC/LED/850/LS EX39 G2 BB 277-480V 3/1	50 to 60 Hz	115 W	1.5 s

Temperatura

Order Code	Full Product Name	T° estuche máxima (nominal)
929002999204	45CC/LED/830/LS EX39 G3 BB 3/1	60 °C
929002999304	45CC/LED/840/LS EX39 G3 BB 3/1	60 °C
929002999404	45CC/LED/850/LS EX39 G3 BB 3/1	60 °C
929002999504	54CC/LED/830/LS EX39 G3 BB 3/1	65 °C
929002999604	54CC/LED/840/LS EX39 G3 BB 3/1	65 °C
929002999704	54CC/LED/850/LS EX39 G3 BB 3/1	65 °C
929003631404	80CC/LED/3CCT/LS EX39 BB 3/1	41.75 °C
929003065304	45CC/LED/3CCT/LS EX39 G3 BB 3/1	60 °C
929003065404	54CC/LED/3CCT/LS EX39 G3 BB 3/1	65 °C
929002996704	150CC/LED/840/LS EX39 G2 BB 3/1	34 °C
929002996804	150CC/LED/850/LS EX39 G2 BB 3/1	34 °C
929003507204	150CC/LED/840/LS EX39 G2 BB 277-480V 3/1	38.4 °C
929003507304	150CC/LED/850/LS EX39 G2 BB 277-480V 3/1	38.4 °C
929002999804	63CC/LED/830/LS EX39 G3 BB 3/1	65 °C
929002999904	63CC/LED/840/LS EX39 G3 BB 3/1	65 °C
929003000004	63CC/LED/850/LS EX39 G3 BB 3/1	65 °C
929003065504	63CC/LED/3CCT/LS EX39 G3 BB 3/1	65 °C
929003631604	145CC/LED/3CCT/LS EX39 BB 3/1	40 °C
929004258104	36-27-18CC/LED/3PW/3CCT/E26 BB 6/1	77.5 °C
929002395804	36CC/LED/830/ND E26 G2 BB 6/1	60 °C
929002395904	36CC/LED/840/ND E26 G2 BB 6/1	60 °C
929002396004	36CC/LED/850/ND E26 G2 BB 6/1	60 °C
929002996104	80CC/LED/840/LS EX39 G2 BB 3/1	37.1 °C

Order Code	Full Product Name	T° estuche máxima (nominal)
929002996204	80CC/LED/850/LS EX39 G2 BB 3/1	37.1 °C
929004258004	27-18-12CC/LED/3PW/3CCT/E26 BB 6/1	71.5 °C
929002395204	18CC/LED/830/ND E26 G2 BB 6/1	60 °C
929002395304	18CC/LED/840/ND E26 G2 BB 6/1	60 °C
929002395404	18CC/LED/850/ND E26 G2 BB 6/1	60 °C
929004257904	18-12-9CC/LED/3PW/3CCT/E26 BB 6/1	66 °C
929004258204	36-27-18CC/LED/3PW/3CCT/Ex39 BB 3/1	77.5 °C
929003631504	115CC/LED/3CCT/LS EX39 BB 3/1	35.5 °C
929003065204	36CC/LED/3CCT/LS EX39 G3 BB 3/1	60 °C
929002395504	27CC/LED/830/ND E26 G2 BB 6/1	60 °C
929002395604	27CC/LED/840/ND E26 G2 BB 6/1	60 °C
929002395704	27CC/LED/850/ND E26 G2 BB 6/1	60 °C
929004258304	54-45-36CC/LED/3PW/3CCT/Ex39 BB 3/1	77 °C
929003019704	450CC/LED/840/LS EX39 BB 3/1	42.5 °C
929003019804	450CC/LED/850/LS EX39 BB 3/1	42.5 °C
929002998904	36CC/LED/830/LS EX39 G3 BB 3/1	60 °C
929002999004	36CC/LED/840/LS EX39 G3 BB 3/1	60 °C
929002999104	36CC/LED/850/LS EX39 G3 BB 3/1	60 °C
929002996404	115CC/LED/840/LS EX39 G2 BB 3/1	41 °C
929002996504	115CC/LED/850/LS EX39 G2 BB 3/1	41 °C
929003507004	115CC/LED/840/LS EX39 G2 BB 277-480V 3/1	32.5 °C
929003507104	115CC/LED/850/LS EX39 G2 BB 277-480V 3/1	32.5 °C

LED Corn Cobs

Controles y atenuación

Order Code	Full Product Name	Regulable
929002999204	45CC/LED/830/LS EX39 G3 BB 3/1	Regulación de intensidad preestablecida
929002999304	45CC/LED/840/LS EX39 G3 BB 3/1	Regulación de intensidad preestablecida
929002999404	45CC/LED/850/LS EX39 G3 BB 3/1	Regulación de intensidad preestablecida
929002999504	54CC/LED/830/LS EX39 G3 BB 3/1	Regulación de intensidad preestablecida
929002999604	54CC/LED/840/LS EX39 G3 BB 3/1	Regulación de intensidad preestablecida
929002999704	54CC/LED/850/LS EX39 G3 BB 3/1	Regulación de intensidad preestablecida
929003631404	80CC/LED/3CCT/LS EX39 BB 3/1	Regulación Variac
929003065304	45CC/LED/3CCT/LS EX39 G3 BB 3/1	Regulación de intensidad preestablecida
929003065404	54CC/LED/3CCT/LS EX39 G3 BB 3/1	Regulación de intensidad preestablecida
929002996704	150CC/LED/840/LS EX39 G2 BB 3/1	Regulación de intensidad preestablecida
929002996804	150CC/LED/850/LS EX39 G2 BB 3/1	Regulación de intensidad preestablecida
929003507204	150CC/LED/840/LS EX39 G2 BB 277-480V 3/1	Solo con reguladores de intensidad específicos
929003507304	150CC/LED/850/LS EX39 G2 BB 277-480V 3/1	Solo con reguladores de intensidad específicos
929002999804	63CC/LED/830/LS EX39 G3 BB 3/1	Regulación de intensidad preestablecida
929002999904	63CC/LED/840/LS EX39 G3 BB 3/1	Regulación de intensidad preestablecida
929003000004	63CC/LED/850/LS EX39 G3 BB 3/1	Regulación de intensidad preestablecida
929003065504	63CC/LED/3CCT/LS EX39 G3 BB 3/1	Regulación de intensidad preestablecida
929003631604	145CC/LED/3CCT/LS EX39 BB 3/1	Regulación Variac
929004258104	36-27-18CC/LED/3PW/3CCT/E26 BB 6/1	Regulador de intensidad escalonado- No usar con regulador de intensidad
929002395804	36CC/LED/830/ND E26 G2 BB 6/1	No
929002395904	36CC/LED/840/ND E26 G2 BB 6/1	No
929002396004	36CC/LED/850/ND E26 G2 BB 6/1	No
929002996104	80CC/LED/840/LS EX39 G2 BB 3/1	Regulación de intensidad preestablecida

Order Code	Full Product Name	Regulable
929002996204	80CC/LED/850/LS EX39 G2 BB 3/1	Regulación de intensidad preestablecida
929004258004	27-18-12CC/LED/3PW/3CCT/E26 BB 6/1	Regulador de intensidad escalonado- No usar con regulador de intensidad
929002395204	18CC/LED/830/ND E26 G2 BB 6/1	No
929002395304	18CC/LED/840/ND E26 G2 BB 6/1	No
929002395404	18CC/LED/850/ND E26 G2 BB 6/1	No
929004257904	18-12-9CC/LED/3PW/3CCT/E26 BB 6/1	Regulador de intensidad escalonado- No usar con regulador de intensidad
929004258204	36-27-18CC/LED/3PW/3CCT/Ex39 BB 3/1	Regulador de intensidad escalonado- No usar con regulador de intensidad
929003631504	115CC/LED/3CCT/LS EX39 BB 3/1	Regulación Variac
929003065204	36CC/LED/3CCT/LS EX39 G3 BB 3/1	Regulación de intensidad preestablecida
929002395504	27CC/LED/830/ND E26 G2 BB 6/1	No
929002395604	27CC/LED/840/ND E26 G2 BB 6/1	No
929002395704	27CC/LED/850/ND E26 G2 BB 6/1	No
929004258304	54-45-36CC/LED/3PW/3CCT/Ex39 BB 3/1	Regulador de intensidad escalonado- No usar con regulador de intensidad
929003019704	450CC/LED/840/LS EX39 BB 3/1	Regulación de intensidad preestablecida
929003019804	450CC/LED/850/LS EX39 BB 3/1	Regulación de intensidad preestablecida
929002998904	36CC/LED/830/LS EX39 G3 BB 3/1	Regulación de intensidad preestablecida
929002999004	36CC/LED/840/LS EX39 G3 BB 3/1	Regulación de intensidad preestablecida
929002999104	36CC/LED/850/LS EX39 G3 BB 3/1	Regulación de intensidad preestablecida
929002996404	115CC/LED/840/LS EX39 G2 BB 3/1	Regulación de intensidad preestablecida
929002996504	115CC/LED/850/LS EX39 G2 BB 3/1	Regulación de intensidad preestablecida
929003507004	115CC/LED/840/LS EX39 G2 BB 277-480V 3/1	Solo con reguladores de intensidad específicos
929003507104	115CC/LED/850/LS EX39 G2 BB 277-480V 3/1	Solo con reguladores de intensidad específicos

Aprobación y aplicación

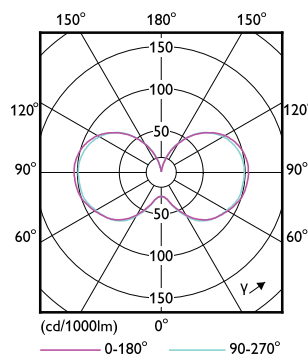
Order Code	Full Product Name	Rango de temperatura ambiente	Consumo energético kWh/1000 h
929002999204	45CC/LED/830/LS EX39 G3 BB 3/1	-20 °C a 45 °C	45 kWh

Order Code	Full Product Name	Rango de temperatura ambiente	Consumo energético kWh/1000 h
929002999304	45CC/LED/840/LS EX39 G3 BB 3/1	-20 °C a 45 °C	45 kWh

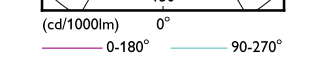
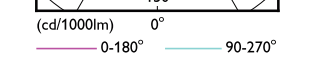
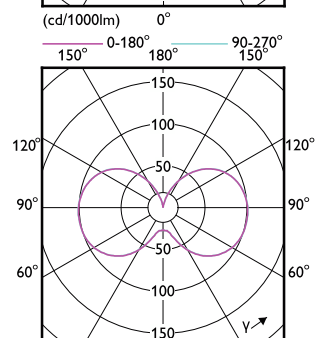
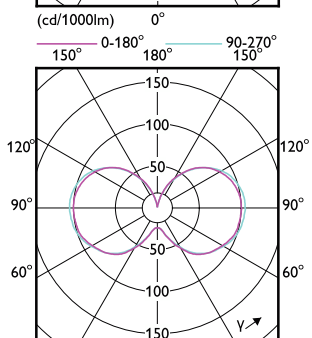
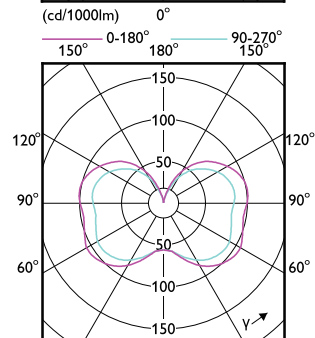
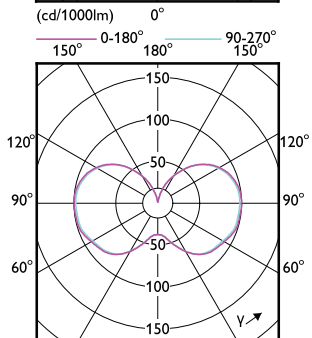
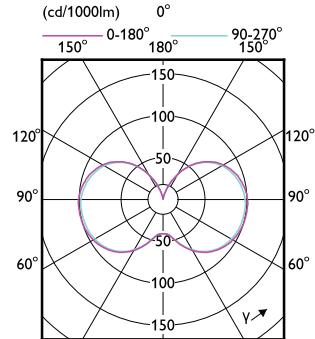
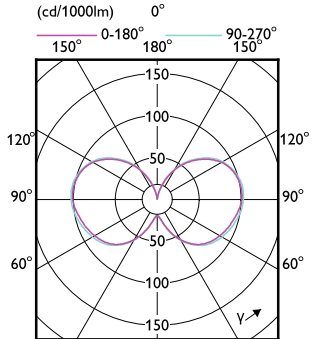
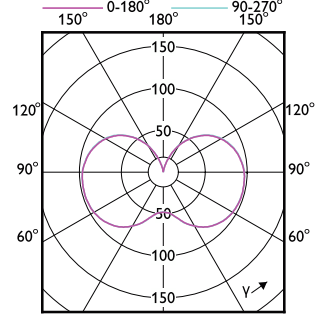
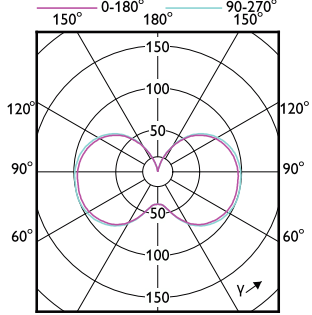
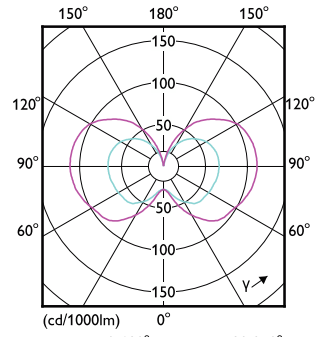
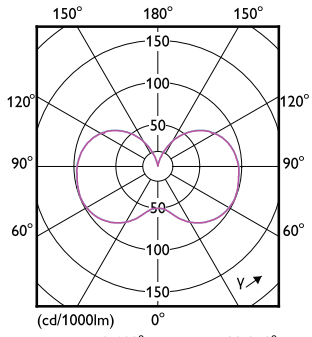
LED Corn Cobs

Order Code	Full Product Name	Rango de temperatura ambiente	Consumo energético kWh/1000 h
929002999404	45CC/LED/850/LS EX39 G3 BB 3/1	-20 °C a 45 °C	45 kWh
929002999504	54CC/LED/830/LS EX39 G3 BB 3/1	-20 °C a 45 °C	54 kWh
929002999604	54CC/LED/840/LS EX39 G3 BB 3/1	-20 °C a 45 °C	54 kWh
929002999704	54CC/LED/850/LS EX39 G3 BB 3/1	-20 °C a 45 °C	54 kWh
929003631404	80CC/LED/3CCT/LS EX39 BB 3/1	-20 a +55 °C	80 kWh
929003065304	45CC/LED/3CCT/LS EX39 G3 BB 3/1	-	45 kWh
929003065404	54CC/LED/3CCT/LS EX39 G3 BB 3/1	-	54 kWh
929002996704	150CC/LED/840/LS EX39 G2 BB 3/1	-20 °C a 45 °C	150 kWh
929002996804	150CC/LED/850/LS EX39 G2 BB 3/1	-20 °C a 45 °C	150 kWh
929003507204	150CC/LED/840/LS EX39 G2 BB 277-480V 3/1	-20 °C a 55 °C	150 kWh
929003507304	150CC/LED/850/LS EX39 G2 BB 277-480V 3/1	-20 °C a 55 °C	150 kWh
929002999804	63CC/LED/830/LS EX39 G3 BB 3/1	-20 °C a 45 °C	63 kWh
929002999904	63CC/LED/840/LS EX39 G3 BB 3/1	-20 °C a 45 °C	63 kWh
929003000004	63CC/LED/850/LS EX39 G3 BB 3/1	-20 °C a 45 °C	63 kWh
929003065504	63CC/LED/3CCT/LS EX39 G3 BB 3/1	-	63 kWh
929003631604	145CC/LED/3CCT/LS EX39 BB 3/1	-20 a +55 °C	145 kWh
929004258104	36-27-18CC/LED/3PW/3CCT/E26 BB 6/1	-30 a +45 °C	-
929002395804	36CC/LED/830/ND E26 G2 BB 6/1	-20 °C a 45 °C	36 kWh
929002395904	36CC/LED/840/ND E26 G2 BB 6/1	-20 °C a 45 °C	36 kWh
929002396004	36CC/LED/850/ND E26 G2 BB 6/1	-20 °C a 45 °C	36 kWh
929002996104	80CC/LED/840/LS EX39 G2 BB 3/1	-20 °C a 45 °C	80 kWh
929002996204	80CC/LED/850/LS EX39 G2 BB 3/1	-20 °C a 45 °C	80 kWh
929004258004	27-18-12CC/LED/3PW/3CCT/E26 BB 6/1	-30 a +45 °C	-
929002395204	18CC/LED/830/ND E26 G2 BB 6/1	-20 °C a 45 °C	18 kWh
929002395304	18CC/LED/840/ND E26 G2 BB 6/1	-20 °C a 45 °C	18 kWh

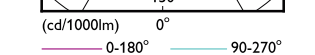
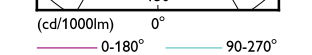
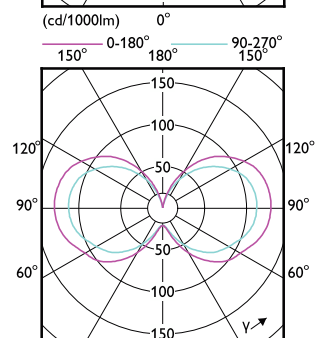
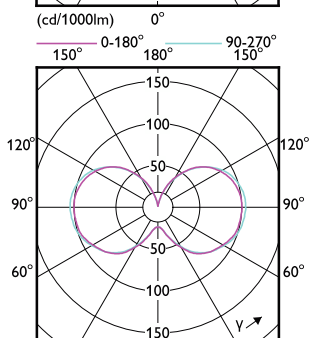
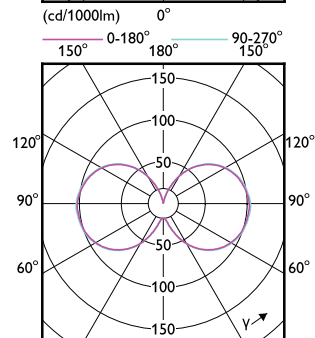
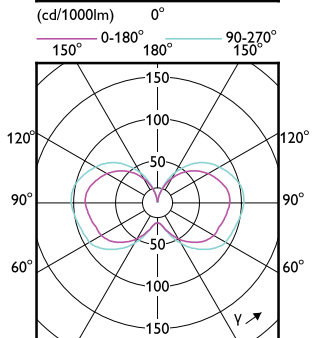
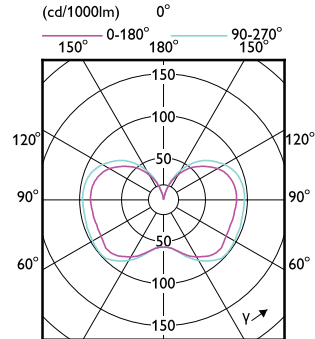
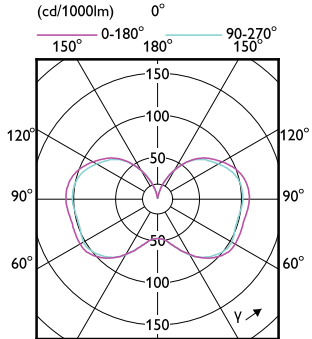
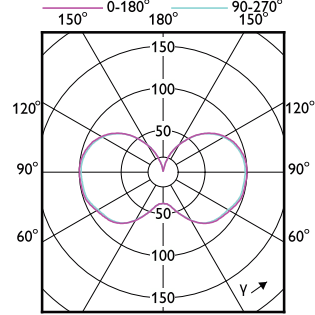
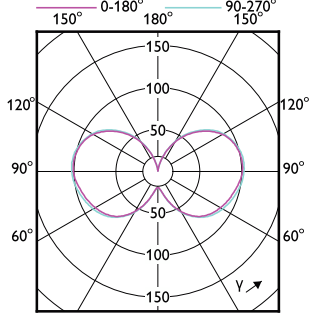
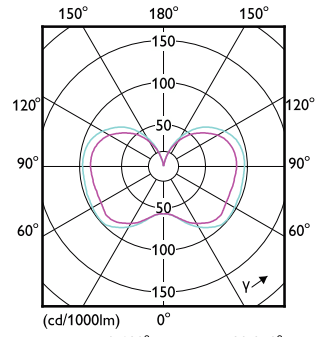
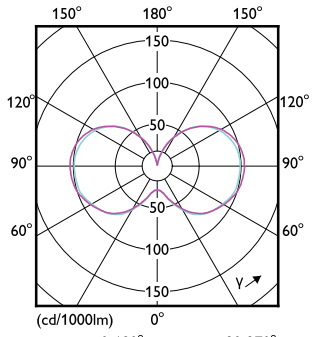
Order Code	Full Product Name	Rango de temperatura ambiente	Consumo energético kWh/1000 h
929002395404	18CC/LED/850/ND E26 G2 BB 6/1	-20 °C a 45 °C	18 kWh
929004257904	18-12-9CC/LED/3PW/3CCT/E26 BB 6/1	-30 a +45 °C	-
929004258204	36-27-18CC/LED/3PW/3CCT/Ex39 BB 3/1	-30 a +45 °C	-
929003631504	115CC/LED/3CCT/LS EX39 BB 3/1	-20 a +55 °C	115 kWh
929003065204	36CC/LED/3CCT/LS EX39 G3 BB 3/1	-20 °C a 45 °C	36 kWh
929002395504	27CC/LED/830/ND E26 G2 BB 6/1	-20 °C a 45 °C	27 kWh
929002395604	27CC/LED/840/ND E26 G2 BB 6/1	-20 °C a 45 °C	27 kWh
929002395704	27CC/LED/850/ND E26 G2 BB 6/1	-20 °C a 45 °C	27 kWh
929004258304	54-45-36CC/LED/3PW/3CCT/Ex39 BB 3/1	-30 a +45 °C	-
929003019704	450CC/LED/840/LS EX39 BB 3/1	-20 °C a 45 °C	450 kWh
929003019804	450CC/LED/850/LS EX39 BB 3/1	-20 °C a 45 °C	450 kWh
929002998904	36CC/LED/830/LS EX39 G3 BB 3/1	-20 °C a 45 °C	36 kWh
929002999004	36CC/LED/840/LS EX39 G3 BB 3/1	-20 °C a 45 °C	36 kWh
929002999104	36CC/LED/850/LS EX39 G3 BB 3/1	-20 °C a 45 °C	36 kWh
929002996404	115CC/LED/840/LS EX39 G2 BB 3/1	-20 °C a 45 °C	115 kWh
929002996504	115CC/LED/850/LS EX39 G2 BB 3/1	-20 °C a 45 °C	115 kWh
929003507004	115CC/LED/840/LS EX39 G2 BB 277-480V 3/1	-20 °C a 55 °C	115 kWh
929003507104	115CC/LED/850/LS EX39 G2 BB 277-480V 3/1	-20 °C a 55 °C	115 kWh



LED Corn Cobs



LED Corn Cobs



LED Corn Cobs

