



Energy saving elegance that gives a beautiful sparkle of light

LED B11

Philips LED B11 candles offer energy saving ambiance with the elegant effect of incandescent candles. These designs provides light in an omnidirectional manner, giving lighting designers a long life alternative to standard incandescent sources.

Benefits

- Long life -- lowers maintenance costs by reducing re-lamp frequency
- Excellent color consistency with high color rendering (CRI)
- Certain offerings with a warm glow effect dim to a cozy glow to set the mood

Features

- Smooth Dimming
- Integrated compact driver design to achieve a decorative look and feels
- Installs into existing candelabra and medium-based fixtures
- 15,000-hour rated average life
- Wet location options available

Application

- Restaurants
- Hotels
- Residential

LED B11

Versions



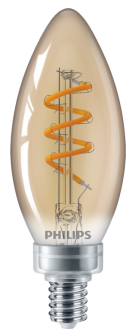
LEDbulb NAM B11 E12 FR



LEDbulb 3,5B11 PER UD CL G E26
WGD 6 3PF T20



LEDbulb 5BA11 PER UD CL G E26
WGD 6 3PF T20

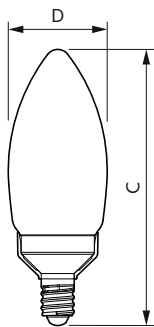


LEDbulb 3,5B11 VIN 820 E12 Amber
G SP D 4 1PFT20



LEDbulb 5B11 PER UD CL G E26
WGD 6 3PF T20

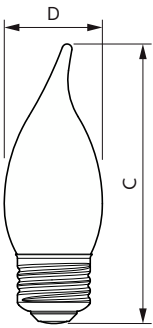
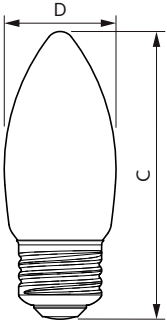
Dimensional drawing



Product	D	C
3.3B11/PER/927-922/CL/G/E12/WGX 1FB T20	35 mm	100 mm
3.5B11/VIN/820/E12/Amber/G/SP D 4/2PFT20	35 mm	97 mm
5.5B11/PER/927-922/CL/G/E12/WGX 1FB T20	35 mm	100 mm
5B11/PER/CRI95WG/FR/G/E12/WGD 1CT T20	35 mm	97 mm

LED B11

Dimensional drawing



Product	D	C
3.3B11/PER/927-922/CL/G/E26/WGX1FB T20	35 mm	92 mm
3.5B11/PER/UD/CL/G/E26/WGD 6/3PF T20	35 mm	90 mm
5.5B11/PER/927-922/CL/G/E26/WGX 1FB T20	35 mm	92 mm
5B11/PER/UD/CL/G/E26/WGD 6/3PF T20	35 mm	90 mm

Product	D	C
5BA11/PER/UD/CL/G/E26/WGD 6/3PF T20	35 mm	99 mm

General Information

Switching Cycle	20,000
Nominal lifetime	15,000 hour(s)

Light Technical

LLMF At End Of Nominal Lifetime (Nom)	70 %
---------------------------------------	------

Operating and Electrical

Starting Time (Nom)	0.5 s
---------------------	-------

General Information

Order Code	Full Product Name	Cap-Base	Rated Lifetime (Hours)
929003082504	5B11/PER/CRI95WG/FR/G/E12/WGD 1CT T20	E12	-
929003089903	3.5B11/PER/UD/CL/G/E26/WGD 6/3PF T20	E26	15,000 hour(s)
929001969404	3.3B11/PER/927-922/CL/G/E12/WGX 1FB T20	E12	15,000 hour(s)
929002204504	5.5B11/PER/927-922/CL/G/E12/WGX 1FB T20	E12	15,000 hour(s)
929002047204	3.3B11/PER/927-922/CL/G/E26/WGX1FB T20	E26	15,000 hour(s)

Order Code	Full Product Name	Cap-Base	Rated Lifetime (Hours)
929002204604	5.5B11/PER/927-922/CL/G/E26/WGX 1FB T20	E26	15,000 hour(s)
929002991103	5BA11/PER/UD/CL/G/E26/WGD 6/3PF T20	E26	15,000 hour(s)
929002988703	3.5B11/VIN/820/E12/Amber/G/SP D 4/2PFT20	E12	-
929003085503	5B11/PER/UD/CL/G/E26/WGD 6/3PF T20	E26	15,000 hour(s)

Light Technical

LED B11

Order Code	Full Product Name	Beam Angle (Nom)	Correlated Color Temperature (Nom)	Color rendering index (CRI)	Color Code	Luminous Flux
929003082504	5B11/PER/CRI95WG/FR/G/E12/WGD 1CT T20	300 degree(s)	2700 K	95	927-922	500 lm
929003089903	3.5B11/PER/UD/CL/G/E26/WGD 6/3PF T20	300 degree(s)	2200 K	95	922-927	300 lm
929001969404	3.3B11/PER/927-922/CL/G/E12/WGX 1FB T20	-	2700 K	90	927-922	300 lm
929002204504	5.5B11/PER/927-922/CL/G/E12/WGX 1FB T20	-	2700 K	90	927-922	500 lm
929002047204	3.3B11/PER/927-922/CL/G/E26/WGX1FB T20	-	2700 K	90	927-922	300 lm
929002204604	5.5B11/PER/927-922/CL/G/E26/WGX 1FB T20	-	2700 K	90	927-922	500 lm
929002991103	5BA11/PER/UD/CL/G/E26/WGD 6/3PF T20	300 degree(s)	2200 K	95	922-927	500 lm
929002988703	3.5B11/VIN/820/E12/Amber/G/SP D 4/2PFT20	330 degree(s)	2000 K	80	820	225 lm
929003085503	5B11/PER/UD/CL/G/E26/WGD 6/3PF T20	300 degree(s)	2200 K	95	922-927	500 lm

Operating and Electrical

Order Code	Full Product Name	Input Frequency	Line Frequency	Power Consumption	Wattage Equivalent
929003082504	5B11/PER/CRI95WG/FR/G/E12/WGD 1CT T20	60 Hz	60 Hz	5 W	60 W
929003089903	3.5B11/PER/UD/CL/G/E26/WGD 6/3PF T20	60 Hz	60 Hz	3.5 W	40 W
929001969404	3.3B11/PER/927-922/CL/G/E12/WGX 1FB T20	50 to 60 Hz	50 to 60 Hz	3.3 W	40 W
929002204504	5.5B11/PER/927-922/CL/G/E12/WGX 1FB T20	50 to 60 Hz	50 to 60 Hz	5.5 W	60 W
929002047204	3.3B11/PER/927-922/CL/G/E26/WGX1FB T20	50 to 60 Hz	50 to 60 Hz	3.3 W	40 W

Order Code	Full Product Name	Input Frequency	Line Frequency	Power Consumption	Wattage Equivalent
929002204604	5.5B11/PER/927-922/CL/G/E26/WGX 1FB T20	50 to 60 Hz	50 to 60 Hz	5.5 W	60 W
929002991103	5BA11/PER/UD/CL/G/E26/WGD 6/3PF T20	60 Hz	60 Hz	5 W	60 W
929002988703	3.5B11/VIN/820/E12/Amber/G/SP D 4/2PFT20	60 Hz	60 Hz	3.5 W	25 W
929003085503	5B11/PER/UD/CL/G/E26/WGD 6/3PF T20	60 Hz	60 Hz	5 W	60 W

Temperature

Order Code	Full Product Name	T-Case Maximum (Nom)
929003082504	5B11/PER/CRI95WG/FR/G/E12/WGD 1CT T20	-
929003089903	3.5B11/PER/UD/CL/G/E26/WGD 6/3PF T20	-
929001969404	3.3B11/PER/927-922/CL/G/E12/WGX 1FB T20	50 °C
929002204504	5.5B11/PER/927-922/CL/G/E12/WGX 1FB T20	60 °C
929002047204	3.3B11/PER/927-922/CL/G/E26/WGX1FB T20	50 °C

Order Code	Full Product Name	T-Case Maximum (Nom)
929002204604	5.5B11/PER/927-922/CL/G/E26/WGX 1FB T20	60 °C
929002991103	5BA11/PER/UD/CL/G/E26/WGD 6/3PF T20	-
929002988703	3.5B11/VIN/820/E12/Amber/G/SP D 4/2PFT20	-
929003085503	5B11/PER/UD/CL/G/E26/WGD 6/3PF T20	-

Controls and Dimming

Order Code	Full Product Name	Dimmable
929003082504	5B11/PER/CRI95WG/FR/G/E12/WGD 1CT T20	Only with specific dimmers
929003089903	3.5B11/PER/UD/CL/G/E26/WGD 6/3PF T20	Only with specific dimmers
929001969404	3.3B11/PER/927-922/CL/G/E12/WGX 1FB T20	Yes

Order Code	Full Product Name	Dimmable
929002204504	5.5B11/PER/927-922/CL/G/E12/WGX 1FB T20	Yes
929002047204	3.3B11/PER/927-922/CL/G/E26/WGX1FB T20	Yes
929002204604	5.5B11/PER/927-922/CL/G/E26/WGX 1FB T20	Yes
929002991103	5BA11/PER/UD/CL/G/E26/WGD 6/3PF T20	Only with specific dimmers

LED B11

Order Code	Full Product Name	Dimmable
929002988703	3.5B11/VIN/820/E12/Amber/G/SP D 4/2PFT20	Only with specific dimmers

Order Code	Full Product Name	Dimmable
929003085503	5B11/PER/UD/CL/G/E26/WGD 6/3PF T20	Only with specific dimmers

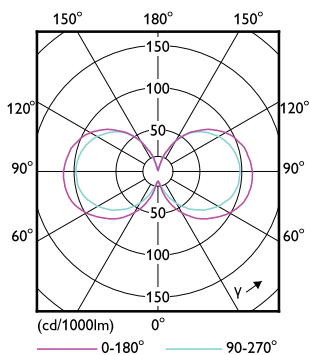
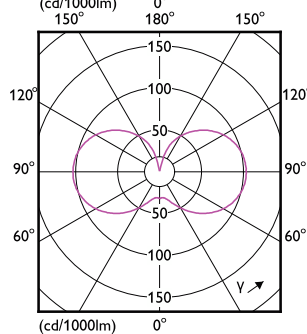
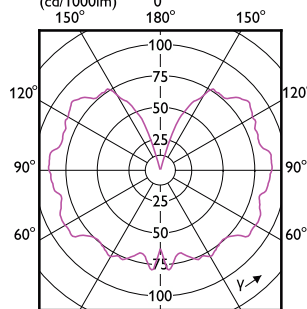
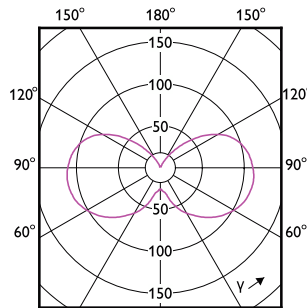
Mechanical and Housing

Order Code	Full Product Name	Bulb Finish	Bulb Shape
929003082504	5B11/PER/CRI95WG/FR/G/E12/WGD 1CT T20	Frosted	B11
929003089903	3.5B11/PER/UD/CL/G/E26/WGD 6/3PF T20	Clear	B11
929001969404	3.3B11/PER/927-922/CL/G/E12/WGX 1FB T20	Clear	B11
929002204504	5.5B11/PER/927-922/CL/G/E12/WGX 1FB T20	Clear	B11
929002047204	3.3B11/PER/927-922/CL/G/E26/WGX1FB T20	Clear	B11
929002204604	5.5B11/PER/927-922/CL/G/E26/WGX 1FB T20	Clear	B11

Order Code	Full Product Name	Bulb Finish	Bulb Shape
929002991103	5BA11/PER/UD/CL/G/E26/WGD 6/3PF T20	Clear	BA11
929002988703	3.5B11/VIN/820/E12/Amber/G/SP D 4/2PFT20	Amber	B11
929003085503	5B11/PER/UD/CL/G/E26/WGD 6/3PF T20	Clear	B11

Approval and Application

Order Code	Full Product Name	Ambient temperature range
929003082504	5B11/PER/CRI95WG/FR/G/E12/WGD 1CT T20	-20 to +40 °C
929003089903	3.5B11/PER/UD/CL/G/E26/WGD 6/3PF T20	-20 °C to 40 °C
929001969404	3.3B11/PER/927-922/CL/G/E12/WGX 1FB T20	-20 to +45 °C
929002204504	5.5B11/PER/927-922/CL/G/E12/WGX 1FB T20	-20 to +45 °C
929002047204	3.3B11/PER/927-922/CL/G/E26/WGX1FB T20	-20 to +45 °C
929002204604	5.5B11/PER/927-922/CL/G/E26/WGX 1FB T20	-20 to +45 °C
929002991103	5BA11/PER/UD/CL/G/E26/WGD 6/3PF T20	-20 °C to 40 °C
929002988703	3.5B11/VIN/820/E12/Amber/G/SP D 4/2PFT20	-20 °C to 45 °C
929003085503	5B11/PER/UD/CL/G/E26/WGD 6/3PF T20	-20 °C to 40 °C



LED B11

