



The most advanced LED replacements for compact fluorescent PL-L lamps with 2G11 base

PL-L

Philips CorePro LED PLL is the ideal uplampping solution for downlights & luminaires in a wide range of general lighting applications. It offers both InstanFit (UL Type A) and MainsFit (UL Type B) LED lamp with a wide array color temperature. It integrates a LED light source into a traditional fluorescent form factor to offer superb energy savings over a lifetime that's twice as long as fluorescent alternatives.

Benefits

- Minimizes overall lighting costs
- Offers cheapest and easiest upgrade to LED lighting technology
- Excellent compatibility with existing fluorescent ballasts
- Direct wire installation without ballast compatibility issue

Features

- High energy efficiency, over 40% energy savings
- Long lifetime with superior color and lumen maintenance
- Easy plug-and-play installation. Retrofit replacement of existing CFL-ni lamps
- Ballast bypass, direct wire installation
- Selectable color temperature
- Conventional form factor fits into existing luminaires
- Durable polycarbonate construction

PL-L

Application

- Offices
- Retail
- Hospitality
- Residential

Versions



Product standard image

Product standard image

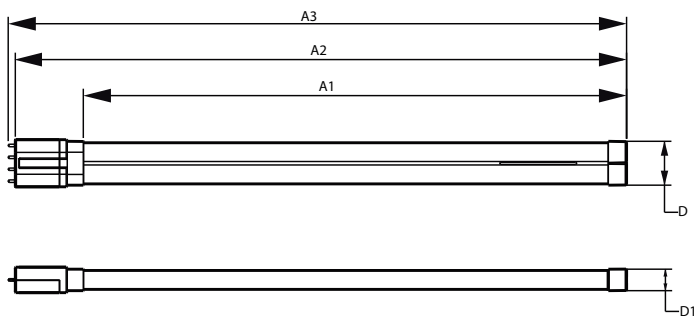
LEDtube COR PLL 17W 2G11

Product standard image



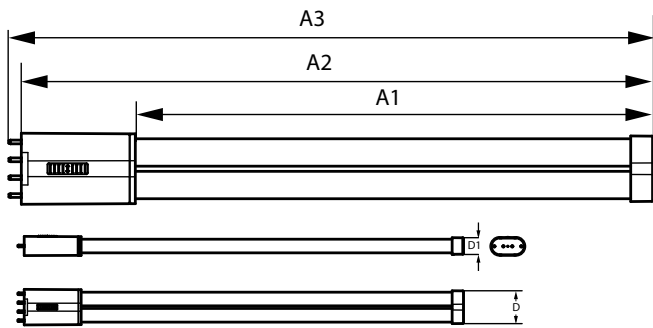
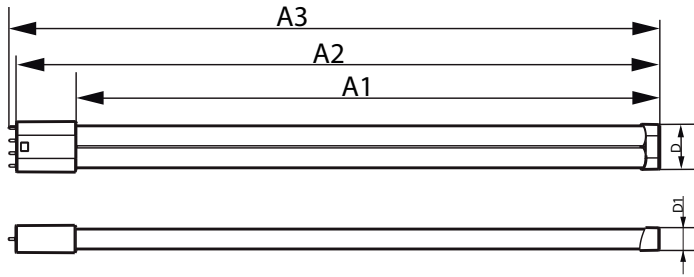
Product standard image

Dimensional drawing



Product	D1	D	A1	A2	A3
16.5PL-L/COR/22-830/1F22/P/4P/DIM 10/1	20 mm	40.6 mm	501 mm	564 mm	570.6 mm
16.5PL-L/COR/22-835/1F22/P/4P/DIM 10/1	20 mm	40.6 mm	501 mm	564 mm	570.6 mm
16.5PL-L/COR/22-840/1F23/P/4P/DIM 10/1	20 mm	40.6 mm	501 mm	564 mm	570.6 mm

Dimensional drawing



Product	D1	D	A1	A2	A3
17PL-L/COR/22-830/MF22/G/4P 10/1	20 mm	39.4 mm	508 mm	560.3 mm	566.9 mm
17PL-L/COR/22-835/MF22/G/4P 10/1	20 mm	39.4 mm	508 mm	560.3 mm	566.9 mm
17PL-L/COR/22-840/MF22/G/4P 10/1	20 mm	39.4 mm	508 mm	560.3 mm	566.9 mm

Product	D1	D	A1	A2	A3
10PL-L/COR/24-5CCT/MF11/G/4P 10/1	21 mm	41 mm	241 mm	311 mm	320 mm
16PL-L/COR/36-5CCT/MF20/G/4P 10/1	21 mm	41 mm	336 mm	406 mm	415 mm
18PL-L/COR/55-5CCT/MF28/G/4P 10/1	21 mm	41 mm	456 mm	526 mm	535 mm
8PL-L/COR/18-5CCT/MF9/G/4P 10/1	21 mm	41 mm	146 mm	216 mm	225 mm

General Information	
Cap-Base	2G11
Switching Cycle	50,000
Nominal lifetime	50,000 hour(s)
Light Technical	
Color rendering index (CRI)	82
LLMF At End Of Nominal Lifetime (Nom)	70 %
Operating and Electrical	
Starting Time (Nom)	0.5 s
Mechanical and Housing	
Bulb Finish	Frosted
Bulb Shape	PL-L

Light Technical

Order Code	Full Product Name	Beam Angle (Nom)	Correlated Color Temperature (Nom)	Color Code	Luminous Flux
929004602604	16PL-L/COR/36-5CCT/MF20/G/4P 10/1	140 degree(s)	2700 K	2700/3000/3500/4000/5000	1,900 lm
929004602504	10PL-L/COR/24-5CCT/MF11/G/4P 10/1	140 degree(s)	2700 K	2700/3000/3500/4000/5000	1,100 lm
929001893504	16.5PL-L/COR/22-830/IF22/P/4P/DIM 10/1	160 degree(s)	3000 K	830	2,200 lm
929001893604	16.5PL-L/COR/22-835/IF22/P/4P/DIM 10/1	160 degree(s)	3500 K	835	2,200 lm
929001893704	16.5PL-L/COR/22-840/IF23/P/4P/DIM 10/1	160 degree(s)	4000 K	840	2,300 lm
929003097504	17PL-L/COR/22-830/MF22/G/4P 10/1	160 degree(s)	3000 K	830	2,100 lm

Order Code	Full Product Name	Beam Angle (Nom)	Correlated Color		Luminous Flux
			Temperature (Nom)	Color Code	
929003097604	17PL-L/COR/ 22-835/ MF22/G/4P 10/1	160 degree(s)	3500 K	835	2,100 lm
929003097704	17PL-L/COR/ 22-840/ MF22/G/4P 10/1	160 degree(s)	4000 K	840	2,200 lm
929004602404	8PL-L/COR/ 18-5CCT/MF9/G/ 4P 10/1	140 degree(s)	2700 K	2700/3000/3500/4000/5000	900 lm
929004602704	18PL-L/COR/ 55-5CCT/ MF28/G/4P 10/1	140 degree(s)	2700 K	2700/3000/3500/4000/5000	2,550 lm

Operating and Electrical

Order Code	Full Product Name	Input		Power Consumption	Wattage Equivalent	Order Code	Full Product Name	Input		Power Consumption	Wattage Equivalent
		Frequency	Line Frequency					Frequency	Line Frequency		
929004602604	16PL-L/COR/ 36-5CCT/ MF20/G/ 4P 10/1	50 to 60 Hz	-	16 W	36 W		P/DIM 10/1				
929003097504						929003097504	17PL-L/COR/ 22-830/ MF22/G/ 4P 10/1	50 to 60 Hz	50 to 60 Hz	17 W	40 W
929004602504	10PL-L/COR/ 24-5CCT/ MF11/G/4 P 10/1	50 to 60 Hz	-	10 W	24 W	929003097604	17PL-L/COR/ 22-835/ MF22/G/ 4P 10/1	50 to 60 Hz	50 to 60 Hz	17 W	40 W
929001893504	16.5PL-L/COR/ 22-830/ IF22/P/4 P/DIM 10/1	40000-160000 Hz	40000-160000 Hz	16.5 W	40 W	929003097704	17PL-L/COR/ 22-840/ MF22/G/ 4P 10/1	50 to 60 Hz	50 to 60 Hz	17 W	40 W
929001893604	16.5PL-L/COR/ 22-835/ IF22/P/4 P/DIM 10/1	40000-160000 Hz	40000-160000 Hz	16.5 W	40 W	929004602404	8PL-L/COR/ 18-5CCT/ MF9/G/4 P 10/1	50 to 60 Hz	-	8 W	18 W
929001893704	16.5PL-L/COR/ 22-840/ IF23/P/4	40000-160000 Hz	40000-160000 Hz	16.5 W	40 W	929004602704	18PL-L/COR/ 55-5CCT/ MF28/G/ 4P 10/1	50 to 60 Hz	-	18 W	50 W

Temperature

PL-L

Order Code	Full Product Name	T-Case Maximum (Nom)
929004602604	16PL-L/COR/36-5CCT/MF20/G/4P 10/1	75 °C
929004602504	10PL-L/COR/24-5CCT/MF11/G/4P 10/1	75 °C
929001893504	16.5PL-L/COR/22-830/IF22/P/4P/DIM 10/1	75 °C
929001893604	16.5PL-L/COR/22-835/IF22/P/4P/DIM 10/1	75 °C
929001893704	16.5PL-L/COR/22-840/IF23/P/4P/DIM 10/1	75 °C

Order Code	Full Product Name	T-Case Maximum (Nom)
929003097504	17PL-L/COR/22-830/MF22/G/4P 10/1	65 °C
929003097604	17PL-L/COR/22-835/MF22/G/4P 10/1	65 °C
929003097704	17PL-L/COR/22-840/MF22/G/4P 10/1	65 °C
929004602404	8PL-L/COR/18-5CCT/MF9/G/4P 10/1	75 °C
929004602704	18PL-L/COR/55-5CCT/MF28/G/4P 10/1	75 °C

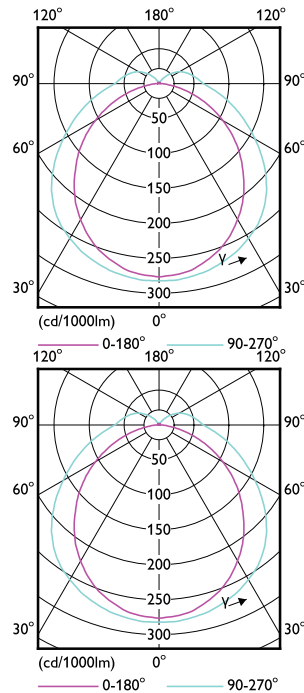
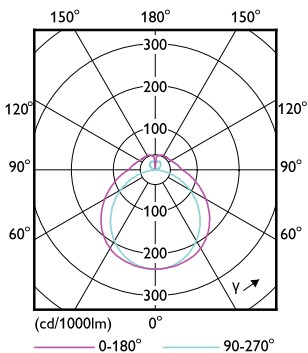
Controls and Dimming

Order Code	Full Product Name	Dimmable
929004602604	16PL-L/COR/36-5CCT/MF20/G/4P 10/1	Only with specific dimmers
929004602504	10PL-L/COR/24-5CCT/MF11/G/4P 10/1	Only with specific dimmers
929001893504	16.5PL-L/COR/22-830/IF22/P/4P/DIM 10/1	Only with specific dimmers
929001893604	16.5PL-L/COR/22-835/IF22/P/4P/DIM 10/1	Only with specific dimmers
929001893704	16.5PL-L/COR/22-840/IF23/P/4P/DIM 10/1	Only with specific dimmers

Order Code	Full Product Name	Dimmable
929003097504	17PL-L/COR/22-830/MF22/G/4P 10/1	Yes
929003097604	17PL-L/COR/22-835/MF22/G/4P 10/1	Yes
929003097704	17PL-L/COR/22-840/MF22/G/4P 10/1	Yes
929004602404	8PL-L/COR/18-5CCT/MF9/G/4P 10/1	Only with specific dimmers
929004602704	18PL-L/COR/55-5CCT/MF28/G/4P 10/1	Only with specific dimmers

Approval and Application

Order Code	Full Product Name	Ambient temperature range
929004602604	16PL-L/COR/36-5CCT/MF20/G/4P 10/1	-20 to +45 °C
929004602504	10PL-L/COR/24-5CCT/MF11/G/4P 10/1	-20 to +45 °C
929001893504	16.5PL-L/COR/22-830/IF22/P/4P/DIM 10/1	-20 °C to 45 °C
929001893604	16.5PL-L/COR/22-835/IF22/P/4P/DIM 10/1	-20 °C to 45 °C
929001893704	16.5PL-L/COR/22-840/IF23/P/4P/DIM 10/1	-20 °C to 45 °C
929003097504	17PL-L/COR/22-830/MF22/G/4P 10/1	-20 °C to 45 °C
929003097604	17PL-L/COR/22-835/MF22/G/4P 10/1	-20 °C to 45 °C
929003097704	17PL-L/COR/22-840/MF22/G/4P 10/1	-20 °C to 45 °C
929004602404	8PL-L/COR/18-5CCT/MF9/G/4P 10/1	-20 to +45 °C
929004602704	18PL-L/COR/55-5CCT/MF28/G/4P 10/1	-20 to +45 °C



PL-L

