



Reemplazos LED económicos para lámparas fluorescentes compactas de 4 y 2 pasadores

PL-C/T

Las lámparas de 4 y 2 pasadores PLED de Philips son una solución LED económica para reemplazar las lámparas fluorescentes compactas. El producto ofrece un efecto de iluminación natural para usarse en muchas aplicaciones de iluminación y proporciona ahorros de energía instantáneos, haciéndolas una opción ecológica. Disponibles como reemplazo de lámparas fluorescentes compactas 13 W, 26 W y 32 W.

Beneficios

- Costos de limpieza reducidos
- Excelente uniformidad de iluminación y mantenimiento lumínico
- Compatibilidad inigualable con balastos existentes

Características

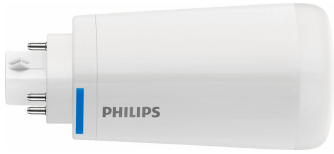
- Excelente eficiencia energética
- Las lámparas horizontales giran para asegurar el mejor efecto de iluminación posible
- Instalación simple. Reemplazo listo para usarse para lámparas CFL-ni existentes
- Factor de forma convencional que se ajusta a las luminarias existentes

PL-C/T

Aplicaciones

- Comercios y hotelería
- Residencial
- Centros de salud

Versions



SPPR_MLEDGA_0022-Product photo

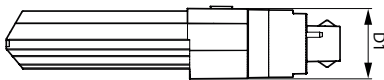
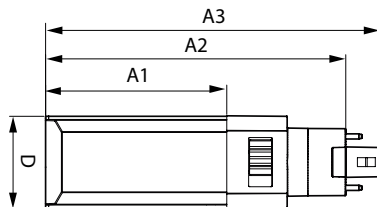
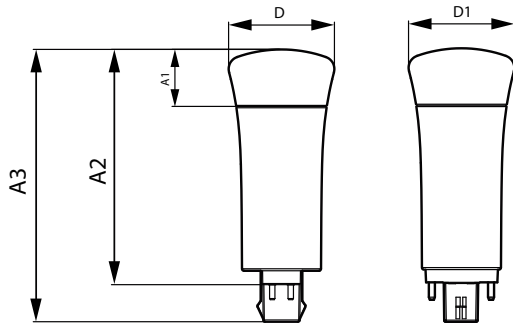


LEDtube PLC 13V 5.5W G24Q 827 15D ND



LEDtube PLC 13H 5W GX23-2 827 15D ND

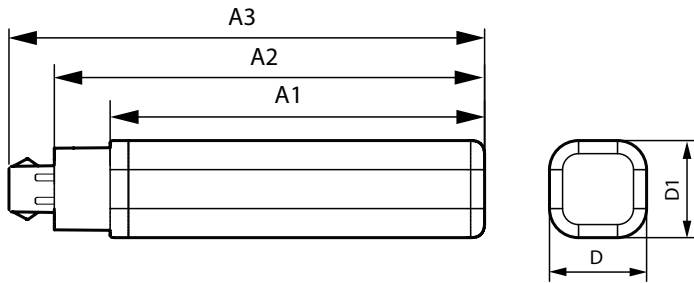
Plano de dimensiones



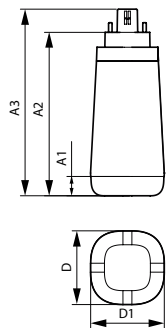
Product	D1	D	A1	A2	A3
5.5PL-C/LED/13V/840/IF5/P/4P 20/1	45.7 mm	45.7 mm	24.6 mm	101.6 mm	117.6 mm

Product	D1	D	A1	A2	A3
11PL-C/T/COR/32H-3CCT/MF15/P/20/1	32 mm	42 mm	82 mm	135 mm	150 mm
8PL-C/T/COR/26H-3CCT/MF10/P/20/1	32 mm	42 mm	82 mm	135 mm	150 mm

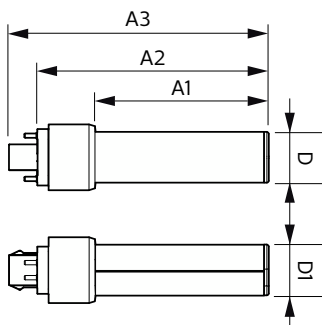
Plano de dimensiones



Product	D1	D	A1	A2	A3
12PL-C/T/COR/32H-830/IF13/P/4P/DIM 10/1	34 mm	34 mm	129 mm	148 mm	164 mm
12PL-C/T/COR/32H-835/IF14/P/4P/DIM 10/1	34 mm	34 mm	129 mm	148 mm	164 mm
12PL-C/T/COR/32H-840/IF14/P/4P/DIM 10/1	34 mm	34 mm	129 mm	148 mm	164 mm
8.5PL-C/T/COR/26H-827/IF8/P/4P/DIM 10/1	34 mm	34 mm	129 mm	148 mm	164 mm
8.5PL-C/T/COR/26H-830/IF9/P/4P/DIM 10/1	34 mm	34 mm	129 mm	148 mm	164 mm
8.5PL-C/T/COR/26H-835/IF9/P/4P/DIM 10/1	34 mm	34 mm	129 mm	148 mm	164 mm
8.5PL-C/T/COR/26H-840/IF9/P/4P/DIM 10/1	34 mm	34 mm	129 mm	148 mm	164 mm

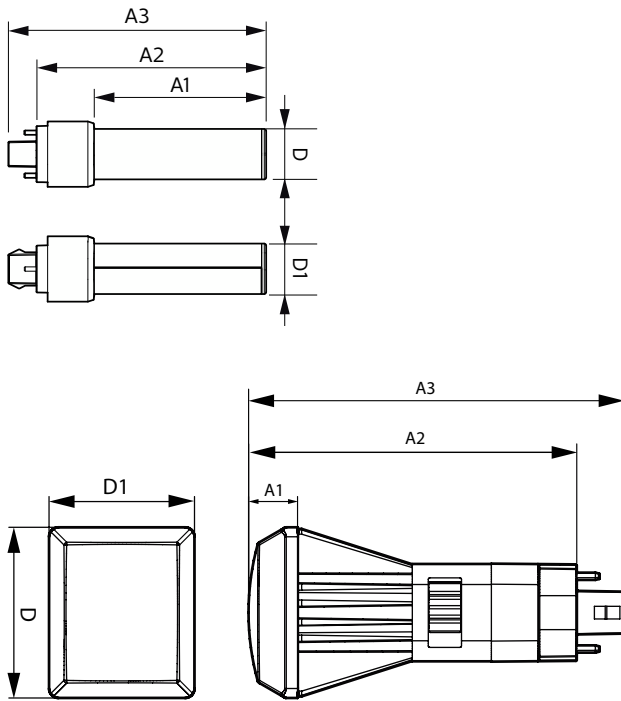


Product	D1	D	A1	A2	A3
10.5PL-C/T/COR/26V-827/IF12/P/4P/DIM10/1	50 mm	50 mm	13 mm	110 mm	125 mm
10.5PL-C/T/COR/26V-830/IF13/P/4P/DIM10/1	50 mm	50 mm	13 mm	110 mm	125 mm
10.5PL-C/T/COR/26V-835/IF13/P/4P/DIM10/1	50 mm	50 mm	13 mm	110 mm	125 mm
10.5PL-C/T/COR/26V-840/IF13/P/4P/DIM10/1	50 mm	50 mm	13 mm	110 mm	125 mm
12PL-C/T/COR/32V-830/IF14/P/4P/DIM 10/1	50 mm	50 mm	13 mm	110 mm	125 mm
12PL-C/T/COR/32V-835/IF14/P/4P/DIM 10/1	50 mm	50 mm	13 mm	110 mm	125 mm
12PL-C/T/COR/32V-840/IF15/P/4P/DIM 10/1	50 mm	50 mm	13 mm	110 mm	125 mm



Product	D1	D2	A1	A2	A3
5.5PL-C/LED/13H/830/IF5/P/4P 20/1	27 mm	27 mm	91.5 mm	122.4 mm	137.4 mm
5.5PL-C/LED/13H/835/IF5/P/4P 20/1	27 mm	27 mm	91.5 mm	122.4 mm	137.4 mm
5.5PL-C/LED/13H/840/IF5/P/4P 20/1	27 mm	27 mm	91.5 mm	122.4 mm	137.4 mm

Plano de dimensiones



Product	D1	D2	A1	A2	A3
5PL-C/LED/13H/840/IF5/P/2P 20/1	27 mm	27 mm	91.5 mm	122.4 mm	137.4 mm

Product	D1	D	A1	A2	A3
11PL-C/T/COR/32V-3CCT/MF15/P/20/1	46 mm	54 mm	16 mm	104 mm	119 mm
8PL-C/T/COR/26V-3CCT/MF10/P/20/1	46 mm	54 mm	16 mm	104 mm	119 mm

Información general

Ciclo del interruptor 50,000

Información técnica sobre la luz

LLMF al final de la vida útil nominal (nominal) 70 %

Operación y aspectos eléctricos

Tiempo de inicio (nominal) 0.5 s

Mecánica y carcasa

Acabado de la luz Blanco

Información general

Order Code	Full Product Name	Tapa-base	Vida útil nominal
929001388004	8.5PL-C/T/COR/ 26H-827/IF8/P/4P/DIM 10/1	G24q Rotatable end- cap	50,000 hora(s)
929001388104	8.5PL-C/T/COR/ 26H-830/IF9/P/4P/DIM 10/1	G24q Rotatable end- cap	50,000 hora(s)
929001388204	8.5PL-C/T/COR/ 26H-835/IF9/P/4P/DIM 10/1	G24q Rotatable end- cap	50,000 hora(s)

Order Code	Full Product Name	Tapa-base	Vida útil nominal
929001388304	8.5PL-C/T/COR/ 26H-840/IF9/P/4P/DIM 10/1	G24q Rotatable end- cap	50,000 hora(s)
929001819804	12PL-C/T/COR/32H-830/ IF13/P/4P/DIM 10/1	G24q Rotatable end- cap	50,000 hora(s)
929001819904	12PL-C/T/COR/32H-835/ IF14/P/4P/DIM 10/1	G24q Rotatable end- cap	50,000 hora(s)

Order Code	Full Product Name	Tapa-base	Vida útil nominal
929001820004	12PL-C/T/COR/32H-840/ IF14/P/4P/DIM 10/1	G24q Rotatable end- cap	50,000 hora(s)
929001388404	10.5PL-C/T/COR/26V-827/IF12/P/4P/ DIM10/1	GX24q	50,000 hora(s)
929001388504	10.5PL-C/T/COR/26V-830/ IF13/P/4P/DIM10/1	GX24q	50,000 hora(s)
929001388604	10.5PL-C/T/COR/26V-835/IF13/P/4P/ DIM10/1	GX24q	50,000 hora(s)
929001388704	10.5PL-C/T/COR/26V-840/ IF13/P/4P/DIM10/1	GX24q	50,000 hora(s)
929001820204	12PL-C/T/COR/32V-830/ IF14/P/4P/DIM 10/1	GX24q	50,000 hora(s)
929001820304	12PL-C/T/COR/32V-835/ IF14/P/4P/DIM 10/1	GX24q	50,000 hora(s)
929001820404	12PL-C/T/COR/32V-840/ IF15/P/4P/DIM 10/1	GX24q	50,000 hora(s)
929001885404	5.5PL-C/LED/13H/830/IF5/P/4P 20/1	G24q	50,000 hora(s)

Order Code	Full Product Name	Tapa-base	Vida útil nominal
929001885504	5.5PL-C/LED/13H/835/IF5/P/4P 20/1	G24q	50,000 hora(s)
929001885604	5.5PL-C/LED/13H/840/IF5/P/4P 20/1	G24q	50,000 hora(s)
929003477604	8PL-C/T/COR/26H-3CCT/MF10/P/ 20/1	G24q	30,000 hora(s)
929003477804	11PL-C/T/COR/32H-3CCT/MF15/P/ 20/1	G24q	30,000 hora(s)
929001886004	5.5PL-C/LED/13V/840/IF5/P/4P 20/1	G24q	50,000 hora(s)
929003477704	8PL-C/T/COR/26V-3CCT/MF10/P/ 20/1	G24q	30,000 hora(s)
929003477904	11PL-C/T/COR/32V-3CCT/MF15/P/ 20/1	G24q	30,000 hora(s)
929001884804	5PL-C/LED/13H/840/IF5/P/2P 20/1	GX23-2	50,000 hora(s)

Información técnica sobre la luz

Order Code	Full Product Name	Ángulo de haz (nominal)	Temperatura de color	Índice de producción	Código de color	Flujo luminoso
			correlacionada (nominal)	de color (IRC)		
929001388004	8.5PL-C/T/COR/26H-827/IF8/P/4P/DIM 10/1	120 °	2700 K	82	827	850 lm
929001388104	8.5PL-C/T/COR/26H-830/IF9/P/4P/DIM 10/1	120 °	3000 K	82	830	900 lm
929001388204	8.5PL-C/T/COR/26H-835/IF9/P/4P/DIM 10/1	120 °	3500 K	82	835	900 lm
929001388304	8.5PL-C/T/COR/26H-840/IF9/P/4P/DIM 10/1	120 °	4000 K	82	840	950 lm
929001819804	12PL-C/T/COR/32H-830/IF13/P/4P/DIM 10/1	120 °	3000 K	82	830	1,350 lm
929001819904	12PL-C/T/COR/32H-835/IF14/P/4P/DIM 10/1	120 °	3500 K	82	835	1,400 lm
929001820004	12PL-C/T/COR/32H-840/IF14/P/4P/DIM 10/1	120 °	4000 K	82	840	1,450 lm
929001388404	10.5PL-C/T/COR/26V-827/IF12/P/4P/DIM10/1	120 °	2700 K	82	827	1,200 lm
929001388504	10.5PL-C/T/COR/26V-830/IF13/P/4P/DIM10/1	120 °	3000 K	82	830	1,200 lm
929001388604	10.5PL-C/T/COR/26V-835/IF13/P/4P/DIM10/1	120 °	3500 K	82	835	1,200 lm
929001388704	10.5PL-C/T/COR/26V-840/IF13/P/4P/DIM10/1	120 °	4000 K	82	840	1,300 lm
929001820204	12PL-C/T/COR/32V-830/IF14/P/4P/DIM 10/1	120 °	3000 K	82	830	1,400 lm
929001820304	12PL-C/T/COR/32V-835/IF14/P/4P/DIM 10/1	120 °	3500 K	82	835	1,450 lm
929001820404	12PL-C/T/COR/32V-840/IF15/P/4P/DIM 10/1	120 °	4000 K	82	840	1,500 lm
929001885404	5.5PL-C/LED/13H/830/IF5/P/4P 20/1	150 °	3000 K	82	830	550 lm
929001885504	5.5PL-C/LED/13H/835/IF5/P/4P 20/1	150 °	3500 K	82	835	550 lm
929001885604	5.5PL-C/LED/13H/840/IF5/P/4P 20/1	150 °	4000 K	82	840	580 lm
929003477604	8PL-C/T/COR/26H-3CCT/MF10/P/20/1	120 °	Selectable	83	3000/3500/4000	975 lm
929003477804	11PL-C/T/COR/32H-3CCT/MF15/P/20/1	120 °	Selectable	83	3000/3500/4000	1,425 lm
929001886004	5.5PL-C/LED/13V/840/IF5/P/4P 20/1	150 °	4000 K	82	840	580 lm
929003477704	8PL-C/T/COR/26V-3CCT/MF10/P/20/1	120 °	Selectable	83	3000/3500/4000	975 lm
929003477904	11PL-C/T/COR/32V-3CCT/MF15/P/20/1	120 °	Selectable	83	3000/3500/4000	1,425 lm
929001884804	5PL-C/LED/13H/840/IF5/P/2P 20/1	150 °	4000 K	82	840	580 lm

Operación y aspectos eléctricos

Order Code	Full Product Name	Frecuencia de entrada	Frecuencia de línea	Consumo de energía	Equivalente en vatios
929001388004	8.5PL- C/T/COR/ 26H-827/IF 8/P/4P/DI M 10/1	20000-100000 Hz	20000-100000 Hz	8.5 W	26 W
929001388104	8.5PL- C/T/COR/ 26H-830/I F9/P/4P/D IM 10/1	20000-100000 Hz	20000-100000 Hz	8.5 W	26 W
929001388204	8.5PL- C/T/COR/ 26H-835/I F9/P/4P/D IM 10/1	20000-100000 Hz	20000-100000 Hz	8.5 W	26 W
929001388304	8.5PL- C/T/COR/ 26H-840/I F9/P/4P/D IM 10/1	20000-100000 Hz	20000-100000 Hz	8.5 W	26 W
929001819804	12PL- C/T/COR/ 32H-830/ IF13/P/4P/ DIM 10/1	20000-100000 Hz	20000-100000 Hz	12 W	32 W
929001819904	12PL- C/T/COR/ 32H-835/ IF14/P/4P/ DIM 10/1	20000-100000 Hz	20000-100000 Hz	12 W	32 W
929001820004	12PL- C/T/COR/ 32H-840/ IF14/P/4P/ DIM 10/1	20000-100000 Hz	20000-100000 Hz	12 W	32 W
929001388404	10.5PL- C/T/COR/ 26V-827/ IF12/P/4P/ DIM10/1	20000-100000 Hz	20000-100000 Hz	10.5 W	26 W
929001388504	10.5PL- C/T/COR/ 26V-830/ IF13/P/4P/ DIM10/1	20000-100000 Hz	20000-100000 Hz	10.5 W	26 W
929001388604	10.5PL- C/T/COR/ 26V-835/ IF13/P/4P/ DIM10/1	20000-100000 Hz	20000-100000 Hz	10.5 W	26 W

Order Code	Full Product Name	Frecuencia de entrada	Frecuencia de línea	Consumo de energía	Equivalente en vatios
929001388704	10.5PL- C/T/COR/ 26V-840/ IF13/P/4P/ DIM10/1	20000-100000 Hz	20000-100000 Hz	10.5 W	26 W
929001820204	12PL- C/T/COR/ 32V-830/ IF14/P/4P/ DIM 10/1	20000-100000 Hz	20000-100000 Hz	12 W	32 W
929001820304	12PL- C/T/COR/ 32V-835/ IF14/P/4P/ DIM 10/1	20000-100000 Hz	20000-100000 Hz	12 W	32 W
929001820404	12PL- C/T/COR/ 32V-840/ IF15/P/4P/ DIM 10/1	20000-100000 Hz	20000-100000 Hz	12 W	32 W
929001885404	5.5PL- C/LED/13H /830/IF5/P /4P 20/1	25000-100000 Hz	25000-100000 Hz	5.5 W	13 W
929001885504	5.5PL- C/LED/13H /835/IF5/P /4P 20/1	25000-100000 Hz	25000-100000 Hz	5.5 W	13 W
929001885604	5.5PL- C/LED/13H /840/IF5/P /4P 20/1	25000-100000 Hz	25000-100000 Hz	5.5 W	13 W
929003477604	8PL- C/T/COR/ 26H-3CCT/ MF10/P/ 20/1	50 a 60 Hz	50 to 60 Hz	8 W	26 W
929003477804	11PL- C/T/COR/ 32H-3CCT/ MF15/P/ 20/1	50 a 60 Hz	50 to 60 Hz	11 W	32 W
929001886004	5.5PL- C/LED/13V /840/IF5/P /4P 20/1	25000-100000 Hz	25000-100000 Hz	5.5 W	13 W
929003477704	8PL- C/T/COR/ 26V-3CCT/	50 a 60 Hz	50 to 60 Hz	8 W	26 W

PL-C/T

Order Code	Full Product Name	Frecuencia de entrada	Frecuencia de línea	Consumo de energía	Equivalente en vatios
	MF10/P/20/1				
929003477904	11PL-C/T/COR/32V-3CCT/	50 a 60 Hz	50 to 60 Hz	11 W	32 W

Order Code	Full Product Name	Frecuencia de entrada	Frecuencia de línea	Consumo de energía	Equivalente en vatios
	MF15/P/20/1				
929001884804	5PL-C/LED/13H/840/IF5/P/2P 20/1	50 a 60 Hz	50 to 60 Hz	5 W	13 W

Temperatura

Order Code	Full Product Name	T° estuche máxima (nominal)
929001388004	8.5PL-C/T/COR/26H-827/IF8/P/4P/DIM 10/1	60 °C
929001388104	8.5PL-C/T/COR/26H-830/IF9/P/4P/DIM 10/1	60 °C
929001388204	8.5PL-C/T/COR/26H-835/IF9/P/4P/DIM 10/1	60 °C
929001388304	8.5PL-C/T/COR/26H-840/IF9/P/4P/DIM 10/1	60 °C
929001819804	12PL-C/T/COR/32H-830/IF13/P/4P/DIM 10/1	25 °C
929001819904	12PL-C/T/COR/32H-835/IF14/P/4P/DIM 10/1	25 °C
929001820004	12PL-C/T/COR/32H-840/IF14/P/4P/DIM 10/1	25 °C
929001388404	10.5PL-C/T/COR/26V-827/IF12/P/4P/DIM10/1	60 °C
929001388504	10.5PL-C/T/COR/26V-830/IF13/P/4P/DIM10/1	60 °C
929001388604	10.5PL-C/T/COR/26V-835/IF13/P/4P/DIM10/1	60 °C
929001388704	10.5PL-C/T/COR/26V-840/IF13/P/4P/DIM10/1	60 °C
929001820204	12PL-C/T/COR/32V-830/IF14/P/4P/DIM 10/1	25 °C

Order Code	Full Product Name	T° estuche máxima (nominal)
929001820304	12PL-C/T/COR/32V-835/IF14/P/4P/DIM 10/1	25 °C
929001820404	12PL-C/T/COR/32V-840/IF15/P/4P/DIM 10/1	25 °C
929001885404	5.5PL-C/LED/13H/830/IF5/P/4P 20/1	75 °C
929001885504	5.5PL-C/LED/13H/835/IF5/P/4P 20/1	75 °C
929001885604	5.5PL-C/LED/13H/840/IF5/P/4P 20/1	75 °C
929003477604	8PL-C/T/COR/26H-3CCT/MF10/P/20/1	65 °C
929003477804	11PL-C/T/COR/32H-3CCT/MF15/P/20/1	75 °C
929001886004	5.5PL-C/LED/13V/840/IF5/P/4P 20/1	70 °C
929003477704	8PL-C/T/COR/26V-3CCT/MF10/P/20/1	65 °C
929003477904	11PL-C/T/COR/32V-3CCT/MF15/P/20/1	75 °C
929001884804	5PL-C/LED/13H/840/IF5/P/2P 20/1	70 °C

Controles y atenuación

Order Code	Full Product Name	Regulable
929001388004	8.5PL-C/T/COR/26H-827/IF8/P/4P/DIM 10/1	Sí
929001388104	8.5PL-C/T/COR/26H-830/IF9/P/4P/DIM 10/1	Sí
929001388204	8.5PL-C/T/COR/26H-835/IF9/P/4P/DIM 10/1	Sí
929001388304	8.5PL-C/T/COR/26H-840/IF9/P/4P/DIM 10/1	Sí
929001819804	12PL-C/T/COR/32H-830/IF13/P/4P/DIM 10/1	Sí
929001819904	12PL-C/T/COR/32H-835/IF14/P/4P/DIM 10/1	Sí
929001820004	12PL-C/T/COR/32H-840/IF14/P/4P/DIM 10/1	Sí
929001388404	10.5PL-C/T/COR/26V-827/IF12/P/4P/DIM10/1	Sí
929001388504	10.5PL-C/T/COR/26V-830/IF13/P/4P/DIM10/1	Sí
929001388604	10.5PL-C/T/COR/26V-835/IF13/P/4P/DIM10/1	Sí
929001388704	10.5PL-C/T/COR/26V-840/IF13/P/4P/DIM10/1	Sí
929001820204	12PL-C/T/COR/32V-830/IF14/P/4P/DIM 10/1	Sí

Order Code	Full Product Name	Regulable
929001820304	12PL-C/T/COR/32V-835/IF14/P/4P/DIM 10/1	Sí
929001820404	12PL-C/T/COR/32V-840/IF15/P/4P/DIM 10/1	Sí
929001885404	5.5PL-C/LED/13H/830/IF5/P/4P 20/1	Sí
929001885504	5.5PL-C/LED/13H/835/IF5/P/4P 20/1	Sí
929001885604	5.5PL-C/LED/13H/840/IF5/P/4P 20/1	Sí
929003477604	8PL-C/T/COR/26H-3CCT/MF10/P/20/1	No
929003477804	11PL-C/T/COR/32H-3CCT/MF15/P/20/1	No
929001886004	5.5PL-C/LED/13V/840/IF5/P/4P 20/1	Sí
929003477704	8PL-C/T/COR/26V-3CCT/MF10/P/20/1	No
929003477904	11PL-C/T/COR/32V-3CCT/MF15/P/20/1	No
929001884804	5PL-C/LED/13H/840/IF5/P/2P 20/1	No

Mecánica y carcasa

Order Code	Full Product Name	Forma del foco
929001388004	8.5PL-C/T/COR/26H-827/IF8/P/4P/DIM 10/1	PL-C;PL-T
929001388104	8.5PL-C/T/COR/26H-830/IF9/P/4P/DIM 10/1	PL-C;PL-T
929001388204	8.5PL-C/T/COR/26H-835/IF9/P/4P/DIM 10/1	PL-C;PL-T
929001388304	8.5PL-C/T/COR/26H-840/IF9/P/4P/DIM 10/1	PL-C;PL-T
929001819804	12PL-C/T/COR/32H-830/IF13/P/4P/DIM 10/1	PL-C;PL-T
929001819904	12PL-C/T/COR/32H-835/IF14/P/4P/DIM 10/1	PL-C;PL-T

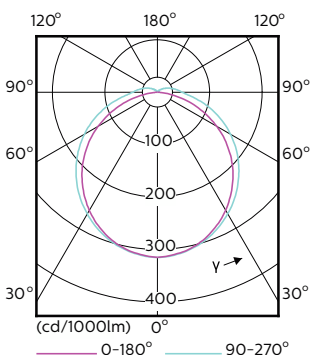
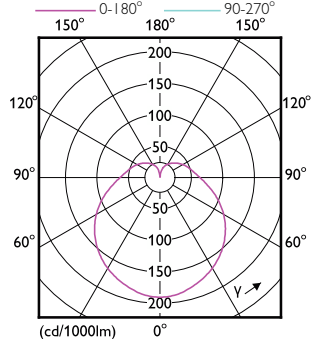
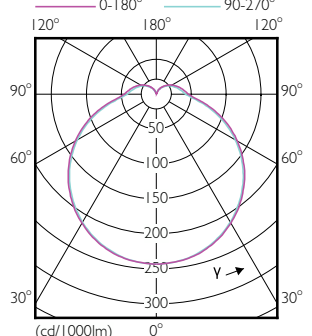
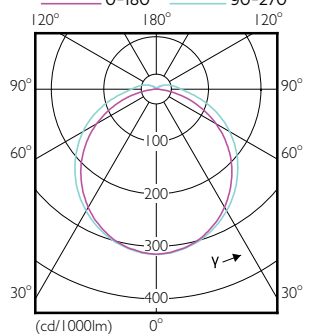
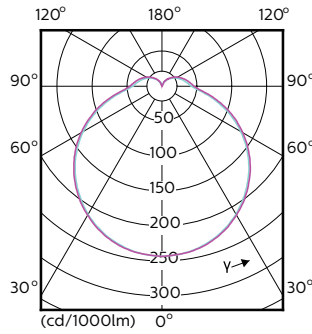
Order Code	Full Product Name	Forma del foco
929001820004	12PL-C/T/COR/32H-840/IF14/P/4P/DIM 10/1	PL-C;PL-T
929001388404	10.5PL-C/T/COR/26V-827/IF12/P/4P/DIM10/1	PL-C;PL-T
929001388504	10.5PL-C/T/COR/26V-830/IF13/P/4P/DIM10/1	PL-C;PL-T
929001388604	10.5PL-C/T/COR/26V-835/IF13/P/4P/DIM10/1	PL-C;PL-T
929001388704	10.5PL-C/T/COR/26V-840/IF13/P/4P/DIM10/1	PL-C;PL-T
929001820204	12PL-C/T/COR/32V-830/IF14/P/4P/DIM 10/1	PL-C;PL-T

Order Code	Full Product Name	Forma del foco
929001820304	12PL-C/T/COR/32V-835/IF14/P/4P/DIM 10/1	PL-C;PL-T
929001820404	12PL-C/T/COR/32V-840/IF15/P/4P/DIM 10/1	PL-C;PL-T
929001885404	5.5PL-C/LED/13H/830/IF5/P/4P 20/1	PL-C
929001885504	5.5PL-C/LED/13H/835/IF5/P/4P 20/1	PL-C
929001885604	5.5PL-C/LED/13H/840/IF5/P/4P 20/1	PL-C
929003477604	8PL-C/T/COR/26H-3CCT/MF10/P/20/1	PL-C;PL-T

Order Code	Full Product Name	Forma del foco
929003477804	11PL-C/T/COR/32H-3CCT/MF15/P/20/1	PL-C;PL-T
929001886004	5.5PL-C/LED/13V/840/IF5/P/4P 20/1	PL-C
929003477704	8PL-C/T/COR/26V-3CCT/MF10/P/20/1	PL-C;PL-T
929003477904	11PL-C/T/COR/32V-3CCT/MF15/P/20/1	PL-C;PL-T
929001884804	5PL-C/LED/13H/840/IF5/P/2P 20/1	PL-C

Aprobación y aplicación

Order Code	Full Product Name	Rango de temperatura ambiente
929001388004	8.5PL-C/T/COR/26H-827/IF8/P/4P/DIM 10/1	-20 °C a 45 °C
929001388104	8.5PL-C/T/COR/26H-830/IF9/P/4P/DIM 10/1	-20 °C a 45 °C
929001388204	8.5PL-C/T/COR/26H-835/IF9/P/4P/DIM 10/1	-20 °C a 45 °C
929001388304	8.5PL-C/T/COR/26H-840/IF9/P/4P/DIM 10/1	-20 °C a 45 °C
929001819804	12PL-C/T/COR/32H-830/IF13/P/4P/DIM 10/1	-20 °C a 45 °C
929001819904	12PL-C/T/COR/32H-835/IF14/P/4P/DIM 10/1	-20 °C a 45 °C
929001820004	12PL-C/T/COR/32H-840/IF14/P/4P/DIM 10/1	-20 °C a 45 °C
929001388404	10.5PL-C/T/COR/26V-827/IF12/P/4P/DIM10/1	-20 °C a 45 °C
929001388504	10.5PL-C/T/COR/26V-830/IF13/P/4P/DIM10/1	-20 °C a 45 °C
929001388604	10.5PL-C/T/COR/26V-835/IF13/P/4P/DIM10/1	-20 °C a 45 °C
929001388704	10.5PL-C/T/COR/26V-840/IF13/P/4P/DIM10/1	-20 °C a 45 °C
929001820204	12PL-C/T/COR/32V-830/IF14/P/4P/DIM 10/1	-20 °C a 45 °C
929001820304	12PL-C/T/COR/32V-835/IF14/P/4P/DIM 10/1	-20 °C a 45 °C
929001820404	12PL-C/T/COR/32V-840/IF15/P/4P/DIM 10/1	-20 °C a 45 °C
929001885404	5.5PL-C/LED/13H/830/IF5/P/4P 20/1	-20 °C a 45 °C
929001885504	5.5PL-C/LED/13H/835/IF5/P/4P 20/1	-20 °C a 45 °C
929001885604	5.5PL-C/LED/13H/840/IF5/P/4P 20/1	-20 °C a 45 °C
929003477604	8PL-C/T/COR/26H-3CCT/MF10/P/20/1	-20 a +45 °C
929003477804	11PL-C/T/COR/32H-3CCT/MF15/P/20/1	-20 a +45 °C
929001886004	5.5PL-C/LED/13V/840/IF5/P/4P 20/1	-20 °C a 45 °C
929003477704	8PL-C/T/COR/26V-3CCT/MF10/P/20/1	-20 a +45 °C
929003477904	11PL-C/T/COR/32V-3CCT/MF15/P/20/1	-20 a +45 °C
929001884804	5PL-C/LED/13H/840/IF5/P/2P 20/1	-20 °C a 45 °C



PL-C/T

