



# Affordable LED replacements for compact fluorescent 4-pin & 2-pin lamps

## PL-C/T

Philips PLED 4-pin & 2-pin lamps are an affordable LED solution to replace compact fluorescent lamps. The product provides a natural lighting effect for use in many lighting applications, and provides instant energy savings, making them an environmentally-friendly solution. Available as replacements for 13W, 26W and 32W compact fluorescent lamps.

### Benefits

- Reduced lighting costs
- Excellent lighting uniformity and lumen maintenance
- Unmatched compatibility with existing ballasts

### Features

- Excellent energy efficiency
- Horizontal lamps rotate to ensure the best possible lighting effect
- Easy installation. Plug-and-play replacement of existing CFL-ni lamps
- Conventional form factor fits into existing luminaires

### Application

- Retail & hospitality
- Residential
- Healthcare

# PL-C/T

## Versions



LEDtube PLC 13H 5.5W G24Q 827 15D ND



LEDtube PLCT H 8W G24Q

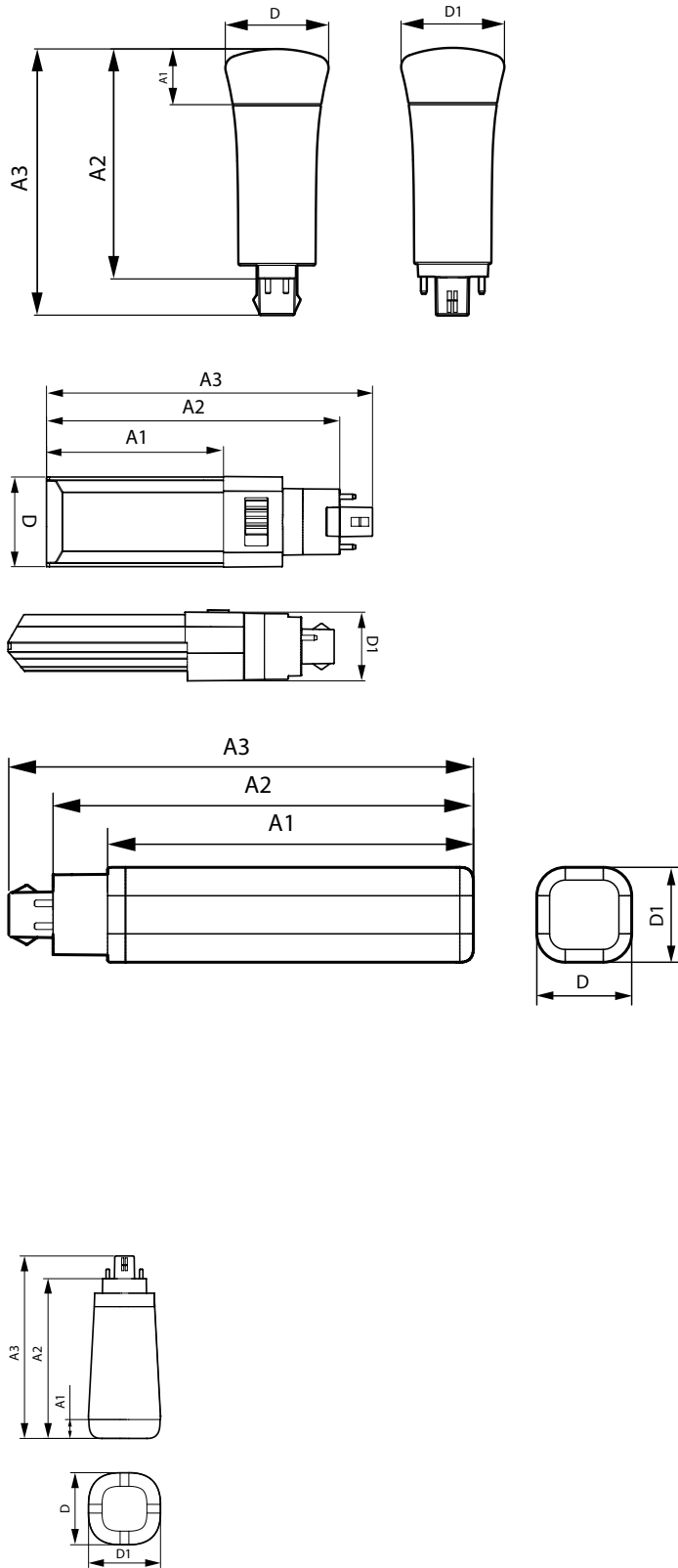


LEDtube PLC 13V 5.5W G24Q 827 15D ND



LEDtube PLC 13H 5W GX23-2 827 15D ND

Dimensional drawing



Product	D1	D	A1	A2	A3
5.5PL-C/LED/13V/840/IF5/P/4P 20/1	45.7 mm	45.7 mm	24.6 mm	101.6 mm	117.6 mm

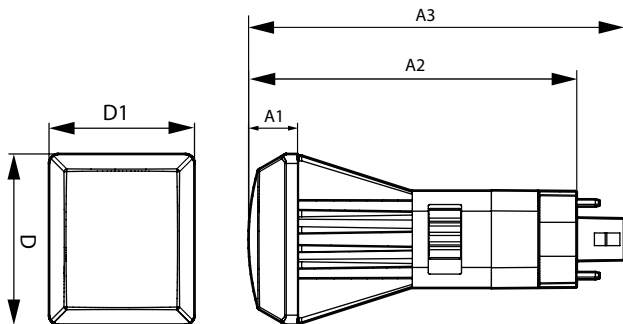
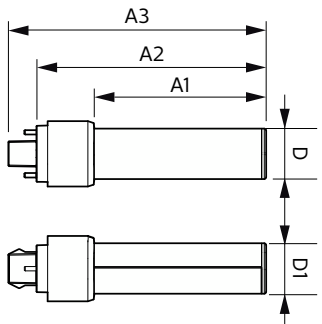
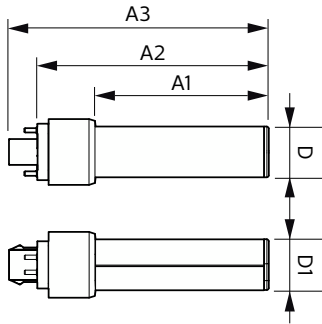
Product	D1	D	A1	A2	A3
11PL-C/T/COR/32H-3CCT/MF15/P/20/1	32 mm	42 mm	82 mm	135 mm	150 mm
8PL-C/T/COR/26H-3CCT/MF10/P/20/1	32 mm	42 mm	82 mm	135 mm	150 mm

Product	D1	D	A1	A2	A3
12PL-C/T/COR/32H-830/IF13/P/4P/DIM 10/1	34 mm	34 mm	129 mm	148 mm	164 mm
12PL-C/T/COR/32H-835/IF14/P/4P/DIM 10/1	34 mm	34 mm	129 mm	148 mm	164 mm
12PL-C/T/COR/32H-840/IF14/P/4P/DIM 10/1	34 mm	34 mm	129 mm	148 mm	164 mm
8.5PL-C/T/COR/26H-827/IF8/P/4P/DIM 10/1	34 mm	34 mm	129 mm	148 mm	164 mm
8.5PL-C/T/COR/26H-830/IF9/P/4P/DIM 10/1	34 mm	34 mm	129 mm	148 mm	164 mm
8.5PL-C/T/COR/26H-835/IF9/P/4P/DIM 10/1	34 mm	34 mm	129 mm	148 mm	164 mm
8.5PL-C/T/COR/26H-840/IF9/P/4P/DIM 10/1	34 mm	34 mm	129 mm	148 mm	164 mm

Product	D1	D	A1	A2	A3
10.5PL-C/T/COR/26V-827/IF12/P/4P/DIM10/1	50 mm	50 mm	13 mm	110 mm	125 mm
10.5PL-C/T/COR/26V-830/IF13/P/4P/DIM10/1	50 mm	50 mm	13 mm	110 mm	125 mm
10.5PL-C/T/COR/26V-835/IF13/P/4P/DIM10/1	50 mm	50 mm	13 mm	110 mm	125 mm
10.5PL-C/T/COR/26V-840/IF13/P/4P/DIM10/1	50 mm	50 mm	13 mm	110 mm	125 mm
12PL-C/T/COR/32V-830/IF14/P/4P/DIM 10/1	50 mm	50 mm	13 mm	110 mm	125 mm
12PL-C/T/COR/32V-835/IF14/P/4P/DIM 10/1	50 mm	50 mm	13 mm	110 mm	125 mm

Dimensional drawing

Product	D1	D	A1	A2	A3
12PL-C/T/COR/32V-840/IF15/P/4P/DIM 10/1	50 mm	50 mm	13 mm	110 mm	125 mm



Product	D1	D2	A1	A2	A3
5.5PL-C/LED/13H/830/IF5/P/4P 20/1	27 mm	27 mm	91.5 mm	122.4 mm	137.4 mm
5.5PL-C/LED/13H/835/IF5/P/4P 20/1	27 mm	27 mm	91.5 mm	122.4 mm	137.4 mm
5.5PL-C/LED/13H/840/IF5/P/4P 20/1	27 mm	27 mm	91.5 mm	122.4 mm	137.4 mm

Product	D1	D2	A1	A2	A3
5PL-C/LED/13H/840/IF5/P/2P 20/1	27 mm	27 mm	91.5 mm	122.4 mm	137.4 mm

Product	D1	D	A1	A2	A3
11PL-C/T/COR/32V-3CCT/MF15/P/20/1	46 mm	54 mm	16 mm	104 mm	119 mm
8PL-C/T/COR/26V-3CCT/MF10/P/20/1	46 mm	54 mm	16 mm	104 mm	119 mm

General Information	
Switching Cycle	50,000
Light Technical	
LLMF At End Of Nominal Lifetime (Nom)	70 %
Operating and Electrical	
Starting Time (Nom)	0.5 s
Mechanical and Housing	
Bulb Finish	Frosted

General Information

Order Code	Full Product Name	Cap-Base	Nominal lifetime	Order Code	Full Product Name	Cap-Base	Nominal lifetime
929001388004	8.5PL-C/T/COR/ 26H-827/IF8/P/4P/DIM 10/1	G24q	50,000 hour(s)	929001388704	10.5PL-C/T/COR/26V-840/ IF13/P/4P/DIM10/1	GX24q	50,000 hour(s)
929001388104	8.5PL-C/T/COR/ 26H-830/IF9/P/4P/DIM 10/1	G24q	50,000 hour(s)	929001820204	12PL-C/T/COR/32V-830/ IF14/P/4P/DIM 10/1	GX24q	50,000 hour(s)
929001388204	8.5PL-C/T/COR/ 26H-835/IF9/P/4P/DIM 10/1	G24q	50,000 hour(s)	929001820304	12PL-C/T/COR/32V-835/ IF14/P/4P/DIM 10/1	GX24q	50,000 hour(s)
929001388304	8.5PL-C/T/COR/ 26H-840/IF9/P/4P/DIM 10/1	G24q	50,000 hour(s)	929001820404	12PL-C/T/COR/32V-840/ IF15/P/4P/DIM 10/1	GX24q	50,000 hour(s)
929001819804	12PL-C/T/COR/32H-830/ IF13/P/4P/DIM 10/1	G24q	50,000 hour(s)	929001885404	5.5PL-C/LED/13H/830/IF5/P/4P 20/1	G24q	50,000 hour(s)
929001819904	12PL-C/T/COR/32H-835/ IF14/P/4P/DIM 10/1	G24q	50,000 hour(s)	929001885504	5.5PL-C/LED/13H/835/IF5/P/4P 20/1	G24q	50,000 hour(s)
929001820004	12PL-C/T/COR/32H-840/ IF14/P/4P/DIM 10/1	G24q	50,000 hour(s)	929001885604	5.5PL-C/LED/13H/840/IF5/P/4P 20/1	G24q	50,000 hour(s)
929001388404	10.5PL-C/T/COR/26V-827/IF12/P/4P/ DIM10/1	GX24q	50,000 hour(s)	929003477604	8PL-C/T/COR/26H-3CCT/MF10/P/ 20/1	G24q	30,000 hour(s)
929001388504	10.5PL-C/T/COR/26V-830/ IF13/P/4P/DIM10/1	GX24q	50,000 hour(s)	929003477804	11PL-C/T/COR/32H-3CCT/MF15/P/ 20/1	G24q	30,000 hour(s)
929001388604	10.5PL-C/T/COR/26V-835/ IF13/P/4P/DIM10/1	GX24q	50,000 hour(s)	929001886004	5.5PL-C/LED/13V/840/IF5/P/4P 20/1	G24q	50,000 hour(s)
				929003477704	8PL-C/T/COR/26V-3CCT/MF10/P/ 20/1	G24q	30,000 hour(s)
				929003477904	11PL-C/T/COR/32V-3CCT/MF15/P/ 20/1	G24q	30,000 hour(s)
				929001884804	5PL-C/LED/13H/840/IF5/P/2P 20/1	GX23-2	50,000 hour(s)

Light Technical

Order Code	Full Product Name	Beam Angle (Nom)	Correlated Color Temperature (Nom)	Color rendering index (CRI)	Color Code	Luminous Flux
929001388004	8.5PL-C/T/COR/26H-827/IF8/P/4P/DIM 10/1	120 degree(s)	2700 K	82	827	850 lm
929001388104	8.5PL-C/T/COR/26H-830/IF9/P/4P/DIM 10/1	120 degree(s)	3000 K	82	830	900 lm
929001388204	8.5PL-C/T/COR/26H-835/IF9/P/4P/DIM 10/1	120 degree(s)	3500 K	82	835	900 lm
929001388304	8.5PL-C/T/COR/26H-840/IF9/P/4P/DIM 10/1	120 degree(s)	4000 K	82	840	950 lm
929001819804	12PL-C/T/COR/32H-830/IF13/P/4P/DIM 10/1	120 degree(s)	3000 K	82	830	1,350 lm
929001819904	12PL-C/T/COR/32H-835/IF14/P/4P/DIM 10/1	120 degree(s)	3500 K	82	835	1,400 lm
929001820004	12PL-C/T/COR/32H-840/IF14/P/4P/DIM 10/1	120 degree(s)	4000 K	82	840	1,450 lm
929001388404	10.5PL-C/T/COR/26V-827/IF12/P/4P/DIM10/1	120 degree(s)	2700 K	82	827	1,200 lm
929001388504	10.5PL-C/T/COR/26V-830/IF13/P/4P/DIM10/1	120 degree(s)	3000 K	82	830	1,200 lm
929001388604	10.5PL-C/T/COR/26V-835/IF13/P/4P/DIM10/1	120 degree(s)	3500 K	82	835	1,200 lm
929001388704	10.5PL-C/T/COR/26V-840/IF13/P/4P/DIM10/1	120 degree(s)	4000 K	82	840	1,300 lm
929001820204	12PL-C/T/COR/32V-830/IF14/P/4P/DIM 10/1	120 degree(s)	3000 K	82	830	1,400 lm
929001820304	12PL-C/T/COR/32V-835/IF14/P/4P/DIM 10/1	120 degree(s)	3500 K	82	835	1,450 lm
929001820404	12PL-C/T/COR/32V-840/IF15/P/4P/DIM 10/1	120 degree(s)	4000 K	82	840	1,500 lm
929001885404	5.5PL-C/LED/13H/830/IF5/P/4P 20/1	150 degree(s)	3000 K	82	830	550 lm
929001885504	5.5PL-C/LED/13H/835/IF5/P/4P 20/1	150 degree(s)	3500 K	82	835	550 lm
929001885604	5.5PL-C/LED/13H/840/IF5/P/4P 20/1	150 degree(s)	4000 K	82	840	580 lm

Order Code	Full Product Name	Correlated Color Temperature		Color rendering index		
		Beam Angle (Nom)	(Nom)	(CRI)	Color Code	Luminous Flux
929003477604	8PL-C/T/COR/26H-3CCT/MF10/P/20/1	120 degree(s)	Selectable	83	3000/3500/4000	975 lm
929003477804	11PL-C/T/COR/32H-3CCT/MF15/P/20/1	120 degree(s)	Selectable	83	3000/3500/4000	1,425 lm
929001886004	5.5PL-C/LED/13V/840/IF5/P/4P 20/1	150 degree(s)	4000 K	82	840	580 lm
929003477704	8PL-C/T/COR/26V-3CCT/MF10/P/20/1	120 degree(s)	Selectable	83	3000/3500/4000	975 lm
929003477904	11PL-C/T/COR/32V-3CCT/MF15/P/20/1	120 degree(s)	Selectable	83	3000/3500/4000	1,425 lm
929001884804	5PL-C/LED/13H/840/IF5/P/2P 20/1	150 degree(s)	4000 K	82	840	580 lm

Operating and Electrical

Order Code	Full					Order Code	Full				
	Product Name	Input Frequency	Line Frequency	Power Consumption	Wattage Equivalent		Product Name	Input Frequency	Line Frequency	Power Consumption	Wattage Equivalent
929001388004	8.5PL-C/T/COR/26H-827/I F8/P/4P/D IM 10/1	20000-100000 Hz	20000-100000 Hz	8.5 W	26 W	929001388504	10.5PL-C/T/COR/26V-830/IF12/P/4P/DIM10/1	20000-100000 Hz	20000-100000 Hz	10.5 W	26 W
929001388104	8.5PL-C/T/COR/26H-830/I F9/P/4P/D IM 10/1	20000-100000 Hz	20000-100000 Hz	8.5 W	26 W	929001388604	10.5PL-C/T/COR/26V-835/IF13/P/4P/DIM10/1	20000-100000 Hz	20000-100000 Hz	10.5 W	26 W
929001388204	8.5PL-C/T/COR/26H-835/I F9/P/4P/D IM 10/1	20000-100000 Hz	20000-100000 Hz	8.5 W	26 W	929001388704	10.5PL-C/T/COR/26V-840/IF13/P/4P/DIM10/1	20000-100000 Hz	20000-100000 Hz	10.5 W	26 W
929001388304	8.5PL-C/T/COR/26H-840/I F9/P/4P/D IM 10/1	20000-100000 Hz	20000-100000 Hz	8.5 W	26 W	929001820204	12PL-C/T/COR/32V-830/IF14/P/4P/DIM 10/1	20000-100000 Hz	20000-100000 Hz	12 W	32 W
929001819804	12PL-C/T/COR/32H-830/IF13/P/4P/DIM 10/1	20000-100000 Hz	20000-100000 Hz	12 W	32 W	929001820304	12PL-C/T/COR/32V-835/IF14/P/4P/DIM 10/1	20000-100000 Hz	20000-100000 Hz	12 W	32 W
929001819904	12PL-C/T/COR/32H-835/IF14/P/4P/DIM 10/1	20000-100000 Hz	20000-100000 Hz	12 W	32 W	929001820404	12PL-C/T/COR/32V-840/IF15/P/4P/DIM 10/1	20000-100000 Hz	20000-100000 Hz	12 W	32 W
929001820004	12PL-C/T/COR/32H-840/IF14/P/4P/DIM 10/1	20000-100000 Hz	20000-100000 Hz	12 W	32 W	929001885404	5.5PL-C/LED/13H/830/IF5/P/4P 20/1	25000-100000 Hz	25000-100000 Hz	5.5 W	13 W
929001388404	10.5PL-C/T/COR/26V-827/I	20000-100000 Hz	20000-100000 Hz	10.5 W	26 W	929001885504	5.5PL-C/LED/13H	25000-100000 Hz	25000-100000 Hz	5.5 W	13 W

# PL-C/T

Order Code	Full Product Name	Input Frequency	Line Frequency	Power Consumption	Wattage Equivalent
	/835/IF5/P /4P 20/1				
929001885604	5.5PL-C/LED/13H /840/IF5/P /4P 20/1	25000-100000 Hz	25000-100000 Hz	5.5 W	13 W
929003477604	8PL-C/T/COR/ 26H-3CCT/ MF10/P/ 20/1	50 to 60 Hz	50 to 60 Hz	8 W	26 W
929003477804	11PL-C/T/COR/ 32H-3CCT/ MF15/P/ 20/1	50 to 60 Hz	50 to 60 Hz	11 W	32 W
929001886004	5.5PL-C/LED/13V /840/IF5/P /4P 20/1	25000-100000 Hz	25000-100000 Hz	5.5 W	13 W

Order Code	Full Product Name	Input Frequency	Line Frequency	Power Consumption	Wattage Equivalent
929003477704	8PL-C/T/COR/ 26V-3CCT/ MF10/P/ 20/1	50 to 60 Hz	50 to 60 Hz	8 W	26 W
929003477904	11PL-C/T/COR/ 32V-3CCT/ MF15/P/ 20/1	50 to 60 Hz	50 to 60 Hz	11 W	32 W
929001884804	5PL-C/LED/13H /840/IF5/P /2P 20/1	50 to 60 Hz	50 to 60 Hz	5 W	13 W

## Temperature

Order Code	Full Product Name	T-Case Maximum (Nom)
929001388004	8.5PL-C/T/COR/26H-827/IF8/P/4P/DIM 10/1	60 °C
929001388104	8.5PL-C/T/COR/26H-830/IF9/P/4P/DIM 10/1	60 °C
929001388204	8.5PL-C/T/COR/26H-835/IF9/P/4P/DIM 10/1	60 °C
929001388304	8.5PL-C/T/COR/26H-840/IF9/P/4P/DIM 10/1	60 °C
929001819804	12PL-C/T/COR/32H-830/IF13/P/4P/DIM 10/1	25 °C
929001819904	12PL-C/T/COR/32H-835/IF14/P/4P/DIM 10/1	25 °C
929001820004	12PL-C/T/COR/32H-840/IF14/P/4P/DIM 10/1	25 °C
929001388404	10.5PL-C/T/COR/26V-827/IF12/P/4P/DIM10/1	60 °C
929001388504	10.5PL-C/T/COR/26V-830/IF13/P/4P/DIM10/1	60 °C
929001388604	10.5PL-C/T/COR/26V-835/IF13/P/4P/DIM10/1	60 °C
929001388704	10.5PL-C/T/COR/26V-840/IF13/P/4P/DIM10/1	60 °C
929001820204	12PL-C/T/COR/32V-830/IF14/P/4P/DIM 10/1	25 °C

Order Code	Full Product Name	T-Case Maximum (Nom)
929001820304	12PL-C/T/COR/32V-835/IF14/P/4P/DIM 10/1	25 °C
929001820404	12PL-C/T/COR/32V-840/IF15/P/4P/DIM 10/1	25 °C
929001885404	5.5PL-C/LED/13H/830/IF5/P/4P 20/1	75 °C
929001885504	5.5PL-C/LED/13H/835/IF5/P/4P 20/1	75 °C
929001885604	5.5PL-C/LED/13H/840/IF5/P/4P 20/1	75 °C
929003477604	8PL-C/T/COR/26H-3CCT/MF10/P/20/1	65 °C
929003477804	11PL-C/T/COR/32H-3CCT/MF15/P/20/1	75 °C
929001886004	5.5PL-C/LED/13V/840/IF5/P/4P 20/1	70 °C
929003477704	8PL-C/T/COR/26V-3CCT/MF10/P/20/1	65 °C
929003477904	11PL-C/T/COR/32V-3CCT/MF15/P/20/1	75 °C
929001884804	5PL-C/LED/13H/840/IF5/P/2P 20/1	70 °C

## Controls and Dimming

Order Code	Full Product Name	Dimmable
929001388004	8.5PL-C/T/COR/26H-827/IF8/P/4P/DIM 10/1	Yes
929001388104	8.5PL-C/T/COR/26H-830/IF9/P/4P/DIM 10/1	Yes
929001388204	8.5PL-C/T/COR/26H-835/IF9/P/4P/DIM 10/1	Yes
929001388304	8.5PL-C/T/COR/26H-840/IF9/P/4P/DIM 10/1	Yes
929001819804	12PL-C/T/COR/32H-830/IF13/P/4P/DIM 10/1	Yes
929001819904	12PL-C/T/COR/32H-835/IF14/P/4P/DIM 10/1	Yes
929001820004	12PL-C/T/COR/32H-840/IF14/P/4P/DIM 10/1	Yes
929001388404	10.5PL-C/T/COR/26V-827/IF12/P/4P/DIM10/1	Yes

Order Code	Full Product Name	Dimmable
929001388504	10.5PL-C/T/COR/26V-830/IF13/P/4P/DIM10/1	Yes
929001388604	10.5PL-C/T/COR/26V-835/IF13/P/4P/DIM10/1	Yes
929001388704	10.5PL-C/T/COR/26V-840/IF13/P/4P/DIM10/1	Yes
929001820204	12PL-C/T/COR/32V-830/IF14/P/4P/DIM 10/1	Yes
929001820304	12PL-C/T/COR/32V-835/IF14/P/4P/DIM 10/1	Yes
929001820404	12PL-C/T/COR/32V-840/IF15/P/4P/DIM 10/1	Yes
929001885404	5.5PL-C/LED/13H/830/IF5/P/4P 20/1	Yes
929001885504	5.5PL-C/LED/13H/835/IF5/P/4P 20/1	Yes

# PL-C/T

Order Code	Full Product Name	Dimmable
929001885604	5.5PL-C/LED/13H/840/IF5/P/4P 20/1	Yes
929003477604	8PL-C/T/COR/26H-3CCT/MF10/P/20/1	No
929003477804	11PL-C/T/COR/32H-3CCT/MF15/P/20/1	No
929001886004	5.5PL-C/LED/13V/840/IF5/P/4P 20/1	Yes

Order Code	Full Product Name	Dimmable
929003477704	8PL-C/T/COR/26V-3CCT/MF10/P/20/1	No
929003477904	11PL-C/T/COR/32V-3CCT/MF15/P/20/1	No
929001884804	5PL-C/LED/13H/840/IF5/P/2P 20/1	No

## Mechanical and Housing

Order Code	Full Product Name	Bulb Shape
929001388004	8.5PL-C/T/COR/26H-827/IF8/P/4P/DIM 10/1	PL-C;PL-T
929001388104	8.5PL-C/T/COR/26H-830/IF9/P/4P/DIM 10/1	PL-C;PL-T
929001388204	8.5PL-C/T/COR/26H-835/IF9/P/4P/DIM 10/1	PL-C;PL-T
929001388304	8.5PL-C/T/COR/26H-840/IF9/P/4P/DIM 10/1	PL-C;PL-T
929001819804	12PL-C/T/COR/32H-830/IF13/P/4P/DIM 10/1	PL-C;PL-T
929001819904	12PL-C/T/COR/32H-835/IF14/P/4P/DIM 10/1	PL-C;PL-T
929001820004	12PL-C/T/COR/32H-840/IF14/P/4P/DIM 10/1	PL-C;PL-T
929001388404	10.5PL-C/T/COR/26V-827/IF12/P/4P/DIM10/1	PL-C;PL-T
929001388504	10.5PL-C/T/COR/26V-830/IF13/P/4P/DIM10/1	PL-C;PL-T
929001388604	10.5PL-C/T/COR/26V-835/IF13/P/4P/DIM10/1	PL-C;PL-T
929001388704	10.5PL-C/T/COR/26V-840/IF13/P/4P/DIM10/1	PL-C;PL-T
929001820204	12PL-C/T/COR/32V-830/IF14/P/4P/DIM 10/1	PL-C;PL-T

Order Code	Full Product Name	Bulb Shape
929001820304	12PL-C/T/COR/32V-835/IF14/P/4P/DIM 10/1	PL-C;PL-T
929001820404	12PL-C/T/COR/32V-840/IF15/P/4P/DIM 10/1	PL-C;PL-T
929001885404	5.5PL-C/LED/13H/830/IF5/P/4P 20/1	PL-C
929001885504	5.5PL-C/LED/13H/835/IF5/P/4P 20/1	PL-C
929001885604	5.5PL-C/LED/13H/840/IF5/P/4P 20/1	PL-C
929003477604	8PL-C/T/COR/26H-3CCT/MF10/P/20/1	PL-C;PL-T
929003477804	11PL-C/T/COR/32H-3CCT/MF15/P/20/1	PL-C;PL-T
929001886004	5.5PL-C/LED/13V/840/IF5/P/4P 20/1	PL-C
929003477704	8PL-C/T/COR/26V-3CCT/MF10/P/20/1	PL-C;PL-T
929003477904	11PL-C/T/COR/32V-3CCT/MF15/P/20/1	PL-C;PL-T
929001884804	5PL-C/LED/13H/840/IF5/P/2P 20/1	PL-C

## Approval and Application

Order Code	Full Product Name	Ambient temperature range
929001388004	8.5PL-C/T/COR/26H-827/IF8/P/4P/DIM 10/1	-20 °C to 45 °C
929001388104	8.5PL-C/T/COR/26H-830/IF9/P/4P/DIM 10/1	-20 °C to 45 °C
929001388204	8.5PL-C/T/COR/26H-835/IF9/P/4P/DIM 10/1	-20 °C to 45 °C
929001388304	8.5PL-C/T/COR/26H-840/IF9/P/4P/DIM 10/1	-20 °C to 45 °C
929001819804	12PL-C/T/COR/32H-830/IF13/P/4P/DIM 10/1	-20 °C to 45 °C
929001819904	12PL-C/T/COR/32H-835/IF14/P/4P/DIM 10/1	-20 °C to 45 °C
929001820004	12PL-C/T/COR/32H-840/IF14/P/4P/DIM 10/1	-20 °C to 45 °C
929001388404	10.5PL-C/T/COR/26V-827/IF12/P/4P/DIM10/1	-20 °C to 45 °C
929001388504	10.5PL-C/T/COR/26V-830/IF13/P/4P/DIM10/1	-20 °C to 45 °C
929001388604	10.5PL-C/T/COR/26V-835/IF13/P/4P/DIM10/1	-20 °C to 45 °C
929001388704	10.5PL-C/T/COR/26V-840/IF13/P/4P/DIM10/1	-20 °C to 45 °C
929001820204	12PL-C/T/COR/32V-830/IF14/P/4P/DIM 10/1	-20 °C to 45 °C
929001820304	12PL-C/T/COR/32V-835/IF14/P/4P/DIM 10/1	-20 °C to 45 °C

Order Code	Full Product Name	Ambient temperature range
929001820404	12PL-C/T/COR/32V-840/IF15/P/4P/DIM 10/1	-20 °C to 45 °C
929001885404	5.5PL-C/LED/13H/830/IF5/P/4P 20/1	-20 °C to 45 °C
929001885504	5.5PL-C/LED/13H/835/IF5/P/4P 20/1	-20 °C to 45 °C
929001885604	5.5PL-C/LED/13H/840/IF5/P/4P 20/1	-20 °C to 45 °C
929003477604	8PL-C/T/COR/26H-3CCT/MF10/P/20/1	-20 to +45 °C
929003477804	11PL-C/T/COR/32H-3CCT/MF15/P/20/1	-20 to +45 °C
929001886004	5.5PL-C/LED/13V/840/IF5/P/4P 20/1	-20 °C to 45 °C
929003477704	8PL-C/T/COR/26V-3CCT/MF10/P/20/1	-20 to +45 °C
929003477904	11PL-C/T/COR/32V-3CCT/MF15/P/20/1	-20 to +45 °C
929001884804	5PL-C/LED/13H/840/IF5/P/2P 20/1	-20 °C to 45 °C

