



# Attractive, dimmable, and affordable LED BR30 lamp solution

## LED BR30

Philips BR30 LED lamps are the smart alternative to standard incandescent. The traditional lamp design can provide excellent dimming performance with spectacular energy savings. They provide the beautiful light and dependable performance you expect from LED at an economical price.

### Benefits

- Long life -- lowers maintenance costs by reducing re-lamp frequency
- Excellent color consistency with available high 90+ color rendering (CRI)
- Certain offerings feature a warm glow effect that provides an incandescent-like glow, while maintaining CRI throughout dimming range

### Features

- Available smooth dimming options
- Traditional look and feel of size, shape, and material
- Up to 25,000-hour rated average life
- Instant on

### Application

- Hotels/Motels
- Restaurants
- Offices

# LED BR30

## Versions



LED 7,2BR30 DipS 5CCT P E26  
DIM T20 2 3CT

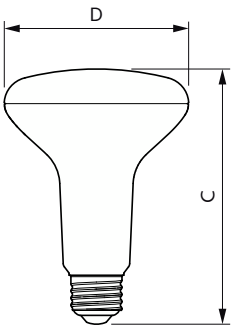
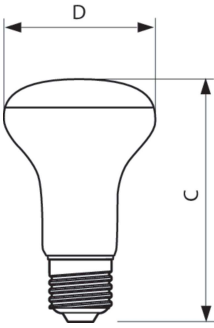


LED 4,5BR30 UE 930 P E26 D T20  
1PF 3 SRP

7\_2BR30 PER 950 P E26 DIM 3  
3BB T20



## Dimensional drawing

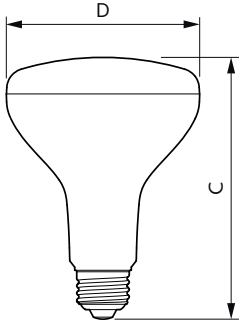


Product	D	C
7.2BR30/COR/927/P/E26/DIM 6/1FB T20	95 mm	132 mm
7.2BR30/COR/930/P/E26/DIM 6/1FB T20	95 mm	132 mm
7.2BR30/COR/940/P/E26/DIM 6/1FB T20	95 mm	132 mm
7.2BR30/MAS/922-27/P/E26/WG 6/1FB	95 mm	132 mm
7.2BR30/PER/950/P/E26/DIM 6/1FB T20	95 mm	132 mm

Product	D	C
4.5BR30/UE/930/P/E26/D/T20 1PF/3 SRP	94 mm	130 mm
4.5BR30/UE/950/P/E26/D/T20 1PF/3 SRP	94 mm	130 mm
7.2BR30/DipS/5CCT/P/E26/DIM/T20 2/3CT	94 mm	130 mm

# LED BR30

## Dimensional drawing



Product	D	C
8.8BR30/CNG/827/FR/P/E26/DIM/120V 6/1CT	95 mm	129 mm
8.8BR30/CNG/830/FR/P/E26/DIM/120V 6/1CT	95 mm	129 mm
8.8BR30/CNG/840/FR/P/E26/DIM/120V 6/1CT	95 mm	129 mm
8.8BR30/CNG/850/FR/P/E26/DIM/120V 6/1CT	95 mm	129 mm

General Information	
Cap-Base	E26
Switching Cycle	50,000
Light Technical	
Beam Angle (Nom)	110 degree(s)
LLMF At End Of Nominal Lifetime (Nom)	70 %
Luminous Flux	650 lm
Operating and Electrical	
Input Frequency	60 Hz
Starting Time (Nom)	0.5 s
Wattage Equivalent	65 W
Mechanical and Housing	
Bulb Finish	Frosted
Bulb Shape	BR30

## General Information

Order Code	Full Product Name	Rated Lifetime (Hours)	Nominal lifetime
929003619804	8.8BR30/CNG/827/FR/P/E26/DIM/120V 6/1CT	-	15,000 hour(s)
929003619904	8.8BR30/CNG/830/FR/P/E26/DIM/120V 6/1CT	-	15,000 hour(s)
929003620004	8.8BR30/CNG/840/FR/P/E26/DIM/120V 6/1CT	-	15,000 hour(s)
929003620104	8.8BR30/CNG/850/FR/P/E26/DIM/120V 6/1CT	-	15,000 hour(s)
929003620203	7.2BR30/DipS/5CCT/P/E26/DIM/T20 2/3CT	-	15,000 hour(s)
929003585403	4.5BR30/UE/930/P/E26/D/T20 1PF/3 SRP	-	50,000 hour(s)
929003585503	4.5BR30/UE/950/P/E26/D/T20 1PF/3 SRP	-	50,000 hour(s)
929002204163	7.2BR30/PER/950/P/E26/DIM 6/1FB T20	15,000 hour(s)	15,000 hour(s)
929001870334	7.2BR30/MAS/922-27/P/E26/WG 6/1FB	-	15,000 hour(s)
929002032104	7.2BR30/COR/930/P/E26/DIM 6/1FB T20	-	15,000 hour(s)
929002032204	7.2BR30/COR/940/P/E26/DIM 6/1FB T20	-	15,000 hour(s)
929002092304	7.2BR30/COR/927/P/E26/DIM 6/1FB T20	-	15,000 hour(s)

## Light Technical

Order Code	Full Product Name	Correlated	Color	Color Code
		Color Temperature (Nom)	rendering index (CRI)	
929003619804	8.8BR30/C NG/827/FR /P/E26/DI M/120V 6/1CT	2700 K	80	827
929003619904	8.8BR30/C NG/830/F R/P/E26/D IM/120V 6/1CT	3000 K	80	830
929003620004	8.8BR30/C NG/840/F R/P/E26/D	4000 K	80	840

Order Code	Full Product Name	Correlated	Color	Color Code
		Color Temperature (Nom)	rendering index (CRI)	
929003620104	8.8BR30/C NG/850/F R/P/E26/D IM/120V 6/1CT	5000 K	80	850
929003620203	7.2BR30/ DipS/ 5CCT/P/E2 6/DIM/T20 2/3CT	Selectable	90	2700/3000/3500/4000/5000

## LED BR30

Order Code	Full Product Name	Correlated Color	Color rendering	Color Code
		Temperature (Nom)	index (CRI)	
929003585403	4.5BR30/U E/930/P/E 26/D/T20 1PF/3 SRP	3000 K	90	930
929003585503	4.5BR30/U E/950/P/E 26/D/T20 1PF/3 SRP	5000 K	90	950
929002204163	7.2BR30/P ER/950/P/ E26/DIM 6/1FB T20	5000 K	90	950
929001870334	7.2BR30/M AS/ 922-27/P/	2200 K	90	922-927

Order Code	Full Product Name	Correlated Color	Color rendering	Color Code
		Temperature (Nom)	index (CRI)	
	E26/WG 6/1FB			
929002032104	7.2BR30/C OR/930/P/ E26/DIM 6/1FB T20	3000 K	90	930
929002032204	7.2BR30/C OR/940/P /E26/DIM 6/1FB T20	4000 K	90	940
929002092304	7.2BR30/C OR/927/P/ E26/DIM 6/1FB T20	2700 K	90	927

### Operating and Electrical

Order Code	Full Product Name	Line Frequency	Power
			Consumption
929003619804	8.8BR30/CNG/827/FR/P/E26/DI M/120V 6/1CT	60 Hz	8.8 W
929003619904	8.8BR30/CNG/830/FR/P/E26/D IM/120V 6/1CT	60 Hz	8.8 W
929003620004	8.8BR30/CNG/840/FR/P/E26/D IM/120V 6/1CT	60 Hz	8.8 W
929003620104	8.8BR30/CNG/850/FR/P/E26/D IM/120V 6/1CT	60 Hz	8.8 W
929003620203	7.2BR30/DipS/ 5CCT/P/E26/DIM/T20 2/3CT	-	7.2 W
929003585403	4.5BR30/UE/930/P/E26/D/T20 1PF/3 SRP	-	4.5 W

Order Code	Full Product Name	Line Frequency	Power
			Consumption
929003585503	4.5BR30/UE/950/P/E26/D/T20 1PF/3 SRP	-	4.5 W
929002204163	7.2BR30/PER/950/P/E26/DIM 6/1FB T20	60 Hz	7.2 W
929001870334	7.2BR30/MAS/ 922-27/P/E26/WG 6/1FB	60 Hz	7.2 W
929002032104	7.2BR30/COR/930/P/E26/DIM 6/1FB T20	60 Hz	7.2 W
929002032204	7.2BR30/COR/940/P/E26/DIM 6/1FB T20	60 Hz	7.2 W
929002092304	7.2BR30/COR/927/P/E26/DIM 6/1FB T20	60 Hz	7.2 W

### Temperature

Order Code	Full Product Name	T-Case Maximum
		(Nom)
929003619804	8.8BR30/CNG/827/FR/P/E26/DIM/120V 6/1CT	70 °C
929003619904	8.8BR30/CNG/830/FR/P/E26/DIM/120V 6/1CT	70 °C
929003620004	8.8BR30/CNG/840/FR/P/E26/DIM/120V 6/1CT	70 °C
929003620104	8.8BR30/CNG/850/FR/P/E26/DIM/120V 6/1CT	70 °C
929003620203	7.2BR30/DipS/5CCT/P/E26/DIM/T20 2/3CT	70 °C
929003585403	4.5BR30/UE/930/P/E26/D/T20 1PF/3 SRP	60 °C

Order Code	Full Product Name	T-Case Maximum
		(Nom)
929003585503	4.5BR30/UE/950/P/E26/D/T20 1PF/3 SRP	60 °C
929002204163	7.2BR30/PER/950/P/E26/DIM 6/1FB T20	70 °C
929001870334	7.2BR30/MAS/922-27/P/E26/WG 6/1FB	75 °C
929002032104	7.2BR30/COR/930/P/E26/DIM 6/1FB T20	75 °C
929002032204	7.2BR30/COR/940/P/E26/DIM 6/1FB T20	75 °C
929002092304	7.2BR30/COR/927/P/E26/DIM 6/1FB T20	70 °C

### Controls and Dimming

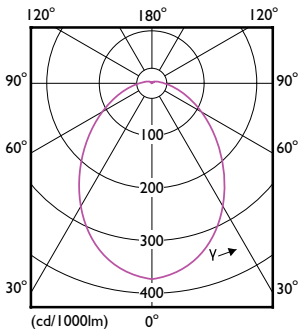
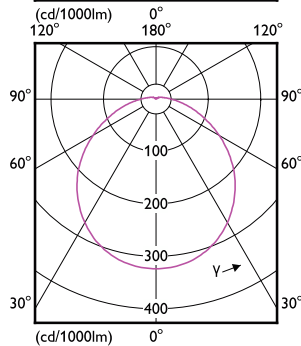
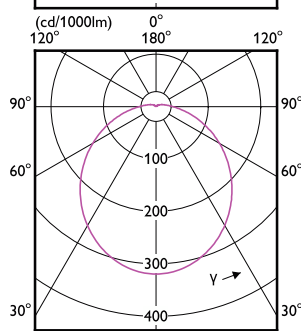
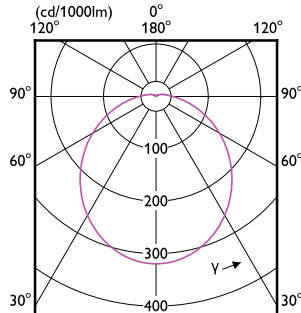
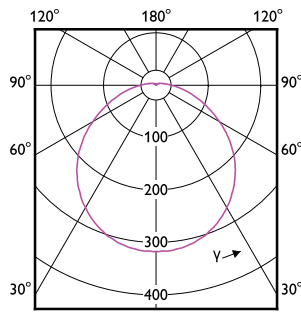
# LED BR30

Order Code	Full Product Name	Dimmable
929003619804	8.8BR30/CNG/827/FR/P/E26/DIM/120V 6/1CT	Only with specific dimmers
929003619904	8.8BR30/CNG/830/FR/P/E26/DIM/120V 6/1CT	Only with specific dimmers
929003620004	8.8BR30/CNG/840/FR/P/E26/DIM/120V 6/1CT	Only with specific dimmers
929003620104	8.8BR30/CNG/850/FR/P/E26/DIM/120V 6/1CT	Only with specific dimmers
929003620203	7.2BR30/DipS/5CCT/P/E26/DIM/T20 2/3CT	Only with specific dimmers

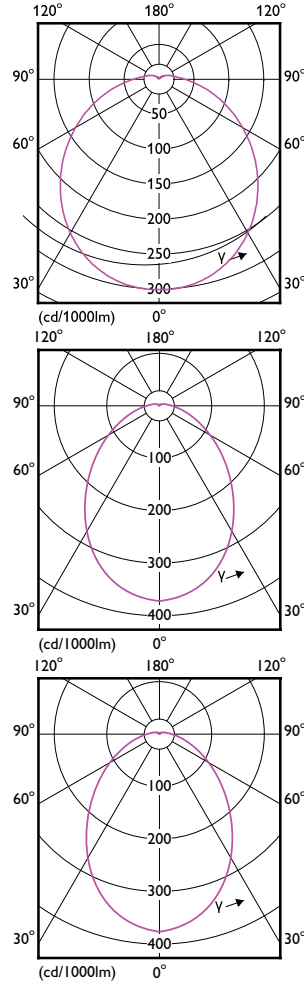
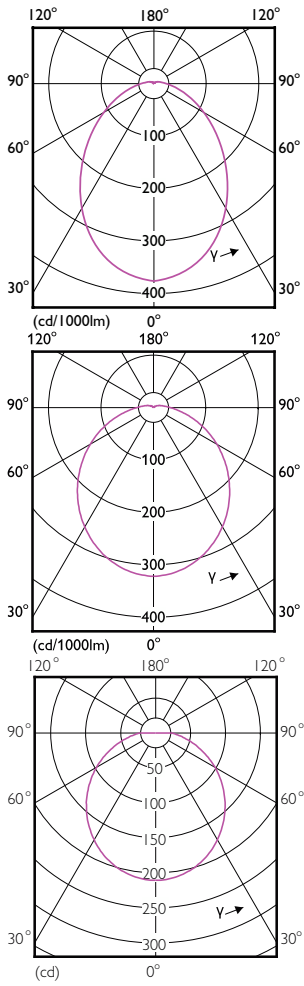
Order Code	Full Product Name	Dimmable
929003585403	4.5BR30/UE/930/P/E26/D/T20 1PF/3 SRP	Only with specific dimmers
929003585503	4.5BR30/UE/950/P/E26/D/T20 1PF/3 SRP	Only with specific dimmers
929002204163	7.2BR30/PER/950/P/E26/DIM 6/1FB T20	Yes
929001870334	7.2BR30/MAS/922-27/P/E26/WG 6/1FB	Yes
929002032104	7.2BR30/COR/930/P/E26/DIM 6/1FB T20	Yes
929002032204	7.2BR30/COR/940/P/E26/DIM 6/1FB T20	Yes
929002092304	7.2BR30/COR/927/P/E26/DIM 6/1FB T20	Yes

## Approval and Application

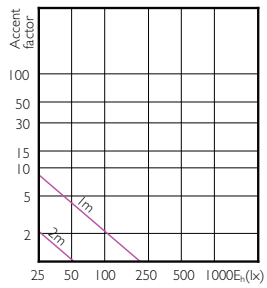
Order Code	Full Product Name	Ambient temperature range
929003619804	8.8BR30/CNG/827/FR/P/E26/DIM/120V 6/1CT	-20 °C to 45 °C
929003619904	8.8BR30/CNG/830/FR/P/E26/DIM/120V 6/1CT	-20 °C to 45 °C
929003620004	8.8BR30/CNG/840/FR/P/E26/DIM/120V 6/1CT	-20 °C to 45 °C
929003620104	8.8BR30/CNG/850/FR/P/E26/DIM/120V 6/1CT	-20 °C to 45 °C
929003620203	7.2BR30/DipS/5CCT/P/E26/DIM/T20 2/3CT	-20 to +45 °C
929003585403	4.5BR30/UE/930/P/E26/D/T20 1PF/3 SRP	-20 to +45 °C
929003585503	4.5BR30/UE/950/P/E26/D/T20 1PF/3 SRP	-20 to +45 °C
929002204163	7.2BR30/PER/950/P/E26/DIM 6/1FB T20	-20 to +45 °C
929001870334	7.2BR30/MAS/922-27/P/E26/WG 6/1FB	-20 to +45 °C
929002032104	7.2BR30/COR/930/P/E26/DIM 6/1FB T20	-20 to +45 °C
929002032204	7.2BR30/COR/940/P/E26/DIM 6/1FB T20	-20 to +45 °C
929002092304	7.2BR30/COR/927/P/E26/DIM 6/1FB T20	-20 to +45 °C



# LED BR30



## Accent Diagrams



Accent Diagram - 7.2BR30/MAS/  
922-27/P/E26/WG 6/1FB

# LED BR30

## Beam Diagrams

Beam diagram - 7.2BR30/MAS/  
922-27/P/E26/WG 6/1FB

