



# For an optimum combination of value and performance

## MASTER Value LED tube EM/Mains T8

A high-performance LED solution, the professional MASTER Value LED tube is ideal for replacing T8 fluorescent lamps using EM ballast or installing directly on the mains. This product provides an optimal combination of value and performance – for use in all general lighting, office, industry, retail, and hospitality applications. The unique design of this LED T8 tube light offers wide compatibility, safety and fast installation, as well as instant energy savings.

### Benefits

- An easy retrofit that is easy to install
- Trusted performance and excellent value
- One for all solution: fits a wide range of applications

### Features

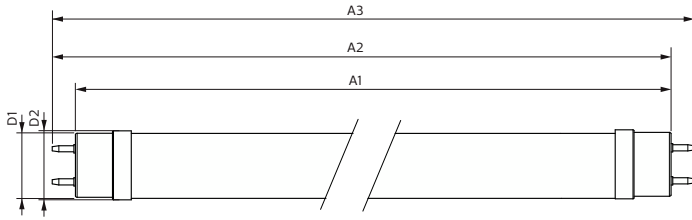
- Retrofit for existing T8 lamps on EM ballast or mains
- > 50% energy savings compared to fluorescent tubes with up to 160lm/W
- Extra-long lifetime up to 60,000 hours
- Enable implementation of HACCP, supported by product level NSF certificate
- No mercury

### Application

- Office
- Retail
- Industrial Buildings & Warehouses
- Parking

# MASTER Value LED tube EM/Mains T8

## Dimensional drawing



Product	D1	D2	A1	A2	A3
MAS LEDtube VLE 1200mm HO 10W 840 T8 CN	25.7 mm	28 mm	1,199.4 mm	1,205.3 mm	1,213 mm
MAS LEDtube VLE 1200mm HO 10W 865 T8 CN	25.7 mm	28 mm	1,199.4 mm	1,205.3 mm	1,213 mm
MAS LEDtube VLE 1200mm HO 13.5W830 T8	25.8 mm	28 mm	1,198.2 mm	1,205.3 mm	1,212.4 mm
MAS LEDtube VLE 1200mm HO 13.5W840 T8	25.8 mm	28 mm	1,198.2 mm	1,205.3 mm	1,212.4 mm
MAS LEDtube VLE 1200mm HO 13.5W865 T8	25.8 mm	28 mm	1,198.2 mm	1,205.3 mm	1,212.4 mm
MAS LEDtube VLE 1200mm HO 14W 830 T8	25.8 mm	28 mm	1,198.2 mm	1,205.3 mm	1,212.4 mm
MAS LEDtube VLE 1200mm HO 14W 840 T8	25.8 mm	28 mm	1,198.2 mm	1,205.3 mm	1,212.4 mm
MAS LEDtube VLE 1200mm HO 14W 865 T8	25.8 mm	28 mm	1,198.2 mm	1,205.3 mm	1,212.4 mm
MAS LEDtube VLE 1200mm HO 14W830 T8	25.8 mm	28 mm	1,198.2 mm	1,205.3 mm	1,212.4 mm
MAS LEDtube VLE 1200mm HO 14W840 T8	25.8 mm	28 mm	1,198.2 mm	1,205.3 mm	1,212.4 mm
MAS LEDtube VLE 1200mm HO 14W840 T8 MY	25.8 mm	28 mm	1,198.2 mm	1,205.3 mm	1,212.4 mm
MAS LEDtube VLE 1200mm HO 14W865 T8	25.8 mm	28 mm	1,198.2 mm	1,205.3 mm	1,212.4 mm
MAS LEDtube VLE 1200mm HO 14W865 T8 MY	25.8 mm	28 mm	1,198.2 mm	1,205.3 mm	1,212.4 mm
MAS LEDtube VLE 1200mm HO 16W 840 T8 BR	25.6 mm	27.8 mm	1,199.4 mm	1,205.3 mm	1,213.6 mm
MAS LEDtube VLE 1200mm HO 16W 840 T8 SL	25.6 mm	27.8 mm	1,199.4 mm	1,205.3 mm	1,213.6 mm
MAS LEDtube VLE 1200mm HO 16W 865 T8 BR	25.6 mm	27.8 mm	1,199.4 mm	1,205.3 mm	1,213.6 mm
MAS LEDtube VLE 1200mm HO 16W 865 T8 SL	25.6 mm	27.8 mm	1,199.4 mm	1,205.3 mm	1,213.6 mm
MAS LEDtube VLE 1200mm UO 15.5W 830 T8	25.8 mm	28 mm	1,198.2 mm	1,205.3 mm	1,212.4 mm
MAS LEDtube VLE 1200mm UO 15.5W 840 T8	25.8 mm	28 mm	1,198.2 mm	1,205.3 mm	1,212.4 mm
MAS LEDtube VLE 1200mm UO 15.5W 865 T8	25.8 mm	28 mm	1,198.2 mm	1,205.3 mm	1,212.4 mm
MAS LEDtube VLE 1200mm UO 15.5W 865T8 CN	25.8 mm	28 mm	1,198.2 mm	1,205.3 mm	1,212.4 mm
MAS LEDtube VLE 1500mm HO 19W 840 T8 BR	25.6 mm	27.8 mm	1,498.7 mm	1,505.8 mm	1,512.9 mm
MAS LEDtube VLE 1500mm HO 19W 865 T8 BR	25.6 mm	27.8 mm	1,498.7 mm	1,505.8 mm	1,512.9 mm
MAS LEDtube VLE 1500mm HO 20.5W 830 T8	25.8 mm	28 mm	1,498.7 mm	1,505.8 mm	1,512.9 mm

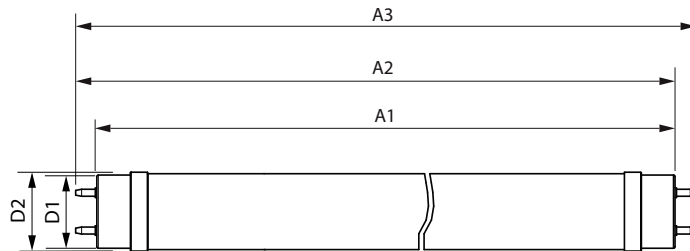
# MASTER Value LED tube EM/Mains T8

## Dimensional drawing

Product	D1	D2	A1	A2	A3
MAS LEDtube VLE 1500mm HO 20.5W 830 T8	25.8 mm	28 mm	1,498.8 mm	1,505.9 mm	1,513 mm
MAS LEDtube VLE 1500mm HO 20.5W 840 T8	25.8 mm	28 mm	1,498.8 mm	1,505.9 mm	1,513 mm
MAS LEDtube VLE 1500mm HO 20.5W 840 T8	25.8 mm	28 mm	1,498.8 mm	1,505.9 mm	1,513 mm
MAS LEDtube VLE 1500mm HO 20.5W 865 T8	25.8 mm	28 mm	1,498.7 mm	1,505.8 mm	1,512.9 mm
MAS LEDtube VLE 1500mm HO 20.5W 865 T8	25.8 mm	28 mm	1,498.8 mm	1,505.9 mm	1,513 mm
MAS LEDtube VLE 1500mm UO 23W 830 T8	25.8 mm	28 mm	1,498.8 mm	1,505.9 mm	1,513 mm
MAS LEDtube VLE 1500mm UO 23W 840 T8	25.8 mm	28 mm	1,498.8 mm	1,505.9 mm	1,513 mm
MAS LEDtube VLE 1500mm UO 23W 865 T8	25.8 mm	28 mm	1,498.8 mm	1,505.9 mm	1,513 mm
MAS LEDtube VLE 1500mm UO 23W 865T8 CN	25.8 mm	28 mm	1,498.8 mm	1,505.9 mm	1,513 mm
MAS LEDtube VLE 600mm HO 6W 840 T8 CN	25.7 mm	28 mm	589.8 mm	595.7 mm	604 mm
MAS LEDtube VLE 600mm HO 6W 865 T8 CN	25.7 mm	28 mm	589.8 mm	595.7 mm	604 mm
MAS LEDtube VLE 600mm HO 8W 830 T8	25.8 mm	28 mm	588.5 mm	595.5 mm	602.5 mm
MAS LEDtube VLE 600mm HO 8W 830 T8	25.8 mm	28 mm	588.5 mm	595.5 mm	602.5 mm
MAS LEDtube VLE 600mm HO 8W 830 T8	25.8 mm	28 mm	588.5 mm	595.5 mm	602.5 mm
MAS LEDtube VLE 600mm HO 8W 840 T8	25.8 mm	28 mm	588.5 mm	595.5 mm	602.5 mm
MAS LEDtube VLE 600mm HO 8W 840 T8	25.8 mm	28 mm	588.5 mm	595.5 mm	602.5 mm
MAS LEDtube VLE 600mm HO 8W 840 T8	25.8 mm	28 mm	588.6 mm	595.7 mm	602.8 mm
MAS LEDtube VLE 600mm HO 8W 840 T8 BR	25.6 mm	27.8 mm	589.8 mm	595.7 mm	604 mm
MAS LEDtube VLE 600mm HO 8W 840 T8 MY	25.8 mm	28 mm	588.5 mm	595.5 mm	602.5 mm
MAS LEDtube VLE 600mm HO 8W 840 T8 SL	25.6 mm	27.8 mm	589.8 mm	595.7 mm	604 mm
MAS LEDtube VLE 600mm HO 8W 865 T8	25.8 mm	28 mm	588.5 mm	595.5 mm	602.5 mm
MAS LEDtube VLE 600mm HO 8W 865 T8	25.8 mm	28 mm	588.5 mm	595.5 mm	602.5 mm
MAS LEDtube VLE 600mm HO 8W 865 T8	25.8 mm	28 mm	588.5 mm	595.5 mm	602.5 mm
MAS LEDtube VLE 600mm HO 8W 865 T8 BR	25.6 mm	27.8 mm	589.8 mm	595.7 mm	604 mm
MAS LEDtube VLE 600mm HO 8W 865 T8 MY	25.8 mm	28 mm	588.5 mm	595.5 mm	602.5 mm

# MASTER Value LED tube EM/Mains T8

Product	D1	D2	A1	A2	A3
MAS LEDtube VLE 600mm HO 8W 865 T8 SL	25.6 mm	27.8 mm	589.8 mm	595.7 mm	604 mm



Product	D1	D2	A1	A2	A3
MAS LEDtube VLE 1200mm 13.1W/15.5W 830T8	25.7 mm	28 mm	1,199.4 mm	1,206.5 mm	1,213.6 mm
MAS LEDtube VLE 1200mm 13.1W/15.5W 840T8	25.7 mm	28 mm	1,199.4 mm	1,206.5 mm	1,213.6 mm
MAS LEDtube VLE 1200mm 13.1W/15.5W 865T8	25.7 mm	28 mm	1,199.4 mm	1,206.5 mm	1,213.6 mm
MAS LEDtube VLE 1500mm 19.3W/23W 830 T8	25.7 mm	28 mm	1,500 mm	1,507.1 mm	1,514.2 mm
MAS LEDtube VLE 1500mm 19.3W/23W 840 T8	25.7 mm	28 mm	1,500 mm	1,507.1 mm	1,514.2 mm
MAS LEDtube VLE 1500mm 19.3W/23W 865 T8	25.7 mm	28 mm	1,500 mm	1,507.1 mm	1,514.2 mm

## Product details



MAS LEDtube VLE 1200mm  
1500mm T8 side



MAS LEDtube VLE 1200mm  
1500mm T8



General Information	
Cap-Base	G13
Switching Cycle	200,000
Operating and Electrical	
Input Frequency	50 to 60 Hz
Starting Time (Nom)	0.5 s
Controls and Dimming	
Dimmable	No
Mechanical and Housing	
Bulb Finish	Frosted
Bulb Shape	T8

## General Information

Order Code	Full Product Name	Nominal lifetime
929004356402	MAS LEDtube VLE 1200mm 13.1W/15.5W 830T8	75,000 hour(s)

Order Code	Full Product Name	Nominal lifetime
929004356502	MAS LEDtube VLE 1200mm 13.1W/15.5W 840T8	75,000 hour(s)

## MASTER Value LED tube EM/Mains T8

Order Code	Full Product Name	Nominal lifetime	Order Code	Full Product Name	Nominal lifetime
929004356602	MAS LEDtube VLE 1200mm 13.1W/15.5W 865T8	75,000 hour(s)	929002089712	MAS LEDtube VLE 1200mm HO 16W 840 T8 BR	25,000 hour(s)
929004356702	MAS LEDtube VLE 1500mm 19.3W/23W 830 T8	75,000 hour(s)	929002089742	MAS LEDtube VLE 1200mm HO 16W 840 T8 SL	50,000 hour(s)
929004356802	MAS LEDtube VLE 1500mm 19.3W/23W 840 T8	75,000 hour(s)	929002089812	MAS LEDtube VLE 1200mm HO 16W 865 T8 BR	25,000 hour(s)
929004356902	MAS LEDtube VLE 1500mm 19.3W/23W 865 T8	75,000 hour(s)	929002089822	MAS LEDtube VLE 1200mm HO 16W 865 T8 SL	50,000 hour(s)
929002021102	MAS LEDtube VLE 600mm HO 8W 830 T8	60,000 hour(s)	929002089842	MAS LEDtube VLE 1200mm HO 16W 865 T8 SL	50,000 hour(s)
929002021202	MAS LEDtube VLE 600mm HO 8W 840 T8	60,000 hour(s)	929002089912	MAS LEDtube VLE 1500mm HO 19W 840 T8 BR	25,000 hour(s)
929002021302	MAS LEDtube VLE 600mm HO 8W 865 T8	60,000 hour(s)	929002090012	MAS LEDtube VLE 1500mm HO 19W 865 T8 BR	25,000 hour(s)
929003069808	MAS LEDtube VLE 600mm HO 8W 830 T8	60,000 hour(s)	929002997602	MAS LEDtube VLE 1200mm UO 15.5W 830 T8	60,000 hour(s)
929003069868	MAS LEDtube VLE 600mm HO 8W 830 T8	60,000 hour(s)	929002997702	MAS LEDtube VLE 1200mm UO 15.5W 840 T8	60,000 hour(s)
929003069908	MAS LEDtube VLE 600mm HO 8W 840 T8	60,000 hour(s)	929002997802	MAS LEDtube VLE 1200mm UO 15.5W 865 T8	60,000 hour(s)
929003069937	MAS LEDtube VLE 600mm HO 8W 840 T8 MY	60,000 hour(s)	929002997810	MAS LEDtube VLE 1200mm UO 15.5W 865T8 CN	60,000 hour(s)
929003069968	MAS LEDtube VLE 600mm HO 8W 840 T8	60,000 hour(s)	929002997902	MAS LEDtube VLE 1500mm UO 23W 830 T8	60,000 hour(s)
929003070008	MAS LEDtube VLE 600mm HO 8W 865 T8	60,000 hour(s)	929002998002	MAS LEDtube VLE 1500mm UO 23W 840 T8	60,000 hour(s)
929003070037	MAS LEDtube VLE 600mm HO 8W 865 T8 MY	60,000 hour(s)	929002998102	MAS LEDtube VLE 1500mm UO 23W 865 T8	60,000 hour(s)
929003070068	MAS LEDtube VLE 600mm HO 8W 865 T8	60,000 hour(s)	929002998110	MAS LEDtube VLE 1500mm UO 23W 865T8 CN	60,000 hour(s)
929002021702	MAS LEDtube VLE 1500mm HO 20.5W 830 T8	60,000 hour(s)	929003070108	MAS LEDtube VLE 1200mm HO 14W830 T8	60,000 hour(s)
929002021802	MAS LEDtube VLE 1500mm HO 20.5W 840 T8	60,000 hour(s)	929003070168	MAS LEDtube VLE 1200mm HO 13.5W830 T8	60,000 hour(s)
929002021902	MAS LEDtube VLE 1500mm HO 20.5W 865 T8	60,000 hour(s)	929003070208	MAS LEDtube VLE 1200mm HO 14W840 T8	60,000 hour(s)
929002021402	MAS LEDtube VLE 1200mm HO 14W 830 T8	60,000 hour(s)	929003070237	MAS LEDtube VLE 1200mm HO 14W840 T8 MY	60,000 hour(s)
929002021502	MAS LEDtube VLE 1200mm HO 14W 840 T8	60,000 hour(s)	929003070268	MAS LEDtube VLE 1200mm HO 13.5W840 T8	60,000 hour(s)
929002021602	MAS LEDtube VLE 1200mm HO 14W 865 T8	60,000 hour(s)	929003070308	MAS LEDtube VLE 1200mm HO 14W865 T8	60,000 hour(s)
929002021738	MAS LEDtube VLE 1500mm HO 20.5W 830 T8	60,000 hour(s)	929003070337	MAS LEDtube VLE 1200mm HO 14W865 T8 MY	60,000 hour(s)
929002021838	MAS LEDtube VLE 1500mm HO 20.5W 840 T8	60,000 hour(s)	929003070368	MAS LEDtube VLE 1200mm HO 13.5W865 T8	60,000 hour(s)
929002021938	MAS LEDtube VLE 1500mm HO 20.5W 865 T8	60,000 hour(s)	929004230010	MAS LEDtube VLE 600mm HO 6W 840 T8 CN	50,000 hour(s)
929002089512	MAS LEDtube VLE 600mm HO 8W 840 T8 BR	25,000 hour(s)	929004230110	MAS LEDtube VLE 600mm HO 6W 865 T8 CN	50,000 hour(s)
929002089542	MAS LEDtube VLE 600mm HO 8W 840 T8 SL	50,000 hour(s)	929004230210	MAS LEDtube VLE 1200mm HO 10W 840 T8 CN	50,000 hour(s)
929002089612	MAS LEDtube VLE 600mm HO 8W 865 T8 BR	25,000 hour(s)	929004230310	MAS LEDtube VLE 1200mm HO 10W 865 T8 CN	50,000 hour(s)
929002089642	MAS LEDtube VLE 600mm HO 8W 865 T8 SL	50,000 hour(s)			

### Light Technical

Order Code	Full Product Name	Beam Angle (Nom)	Correlated Color		Color rendering		LLMF At End Of		Luminous Flux
			Temperature (Nom)		index (CRI)	Color Code	Nominal Lifetime (Nom)		
929004356402	MAS LEDtube VLE 1200mm 13.1W/15.5W 830T8	190 degree(s)	3000 K		80	830	70 %	2,000 lm	
929004356502	MAS LEDtube VLE 1200mm 13.1W/15.5W 840T8	190 degree(s)	4000 K		80	840	70 %	2,100 lm	
929004356602	MAS LEDtube VLE 1200mm 13.1W/15.5W 865T8	190 degree(s)	6500 K		80	865	70 %	2,100 lm	
929004356702	MAS LEDtube VLE 1500mm 19.3W/23W 830 T8	190 degree(s)	3000 K		80	830	70 %	2,900 lm	
929004356802	MAS LEDtube VLE 1500mm 19.3W/23W 840 T8	190 degree(s)	4000 K		80	840	70 %	3,100 lm	
929004356902	MAS LEDtube VLE 1500mm 19.3W/23W 865 T8	190 degree(s)	6500 K		80	865	70 %	3,100 lm	
929002021102	MAS LEDtube VLE 600mm HO 8W 830 T8	190 degree(s)	3000 K		80	830	70 %	1,000 lm	
929002021202	MAS LEDtube VLE 600mm HO 8W 840 T8	190 degree(s)	4000 K		80	840	70 %	1,050 lm	
929002021302	MAS LEDtube VLE 600mm HO 8W 865 T8	190 degree(s)	6500 K		80	865	70 %	1,050 lm	
929003069808	MAS LEDtube VLE 600mm HO 8W 830 T8	240 degree(s)	3000 K		83	830	70 %	1,000 lm	
929003069868	MAS LEDtube VLE 600mm HO 8W 830 T8	240 degree(s)	3000 K		83	830	70 %	1,000 lm	
929003069908	MAS LEDtube VLE 600mm HO 8W 840 T8	240 degree(s)	4000 K		83	840	70 %	1,050 lm	
929003069937	MAS LEDtube VLE 600mm HO 8W 840 T8 MY	240 degree(s)	4000 K		83	840	70 %	1,050 lm	
929003069968	MAS LEDtube VLE 600mm HO 8W 840 T8	240 degree(s)	4000 K		83	840	70 %	1,050 lm	
929003070008	MAS LEDtube VLE 600mm HO 8W 865 T8	240 degree(s)	6500 K		83	865	70 %	1,050 lm	
929003070037	MAS LEDtube VLE 600mm HO 8W 865 T8 MY	240 degree(s)	6500 K		83	865	70 %	1,050 lm	
929003070068	MAS LEDtube VLE 600mm HO 8W 865 T8	240 degree(s)	6500 K		83	865	70 %	1,050 lm	
929002021702	MAS LEDtube VLE 1500mm HO 20.5W 830 T8	190 degree(s)	3000 K		80	830	70 %	2,900 lm	

## MASTER Value LED tube EM/Mains T8

Order Code	Full Product Name	Beam Angle (Nom)	Correlated Color	Color rendering		LLMF At End Of	Luminous Flux
			Temperature (Nom)	index (CRI)	Color Code	Nominal Lifetime (Nom)	
929002021802	MAS LEDtube VLE 1500mm HO 20.5W 840 T8	190 degree(s)	4000 K	80	840	70 %	3,100 lm
929002021902	MAS LEDtube VLE 1500mm HO 20.5W 865 T8	190 degree(s)	6500 K	80	865	70 %	3,100 lm
929002021402	MAS LEDtube VLE 1200mm HO 14W 830 T8	190 degree(s)	3000 K	80	830	70 %	2,000 lm
929002021502	MAS LEDtube VLE 1200mm HO 14W 840 T8	190 degree(s)	4000 K	80	840	70 %	2,100 lm
929002021602	MAS LEDtube VLE 1200mm HO 14W 865 T8	190 degree(s)	6500 K	80	865	70 %	2,100 lm
929002021738	MAS LEDtube VLE 1500mm HO 20.5W 830 T8	190 degree(s)	3000 K	83	830	70 %	2,900 lm
929002021838	MAS LEDtube VLE 1500mm HO 20.5W 840 T8	190 degree(s)	4000 K	83	840	70 %	3,100 lm
929002021938	MAS LEDtube VLE 1500mm HO 20.5W 865 T8	190 degree(s)	6500 K	83	865	70 %	3,100 lm
929002089512	MAS LEDtube VLE 600mm HO 8W 840 T8 BR	240 degree(s)	4000 K	80	840	70 %	1,050 lm
929002089542	MAS LEDtube VLE 600mm HO 8W 840 T8 SL	240 degree(s)	4000 K	80	840	70 %	1,050 lm
929002089612	MAS LEDtube VLE 600mm HO 8W 865 T8 BR	240 degree(s)	6500 K	80	865	70 %	1,050 lm
929002089642	MAS LEDtube VLE 600mm HO 8W 865 T8 SL	240 degree(s)	6500 K	80	865	70 %	1,050 lm
929002089712	MAS LEDtube VLE 1200mm HO 16W 840 T8 BR	240 degree(s)	4000 K	80	840	70 %	2,100 lm
929002089742	MAS LEDtube VLE 1200mm HO 16W 840 T8 SL	240 degree(s)	4000 K	80	840	70 %	2,100 lm
929002089812	MAS LEDtube VLE 1200mm HO 16W 865 T8 BR	240 degree(s)	6500 K	80	865	70 %	2,100 lm
929002089822	MAS LEDtube VLE 1200mm HO 16W 865 T8 SL	240 degree(s)	6500 K	80	865	70 %	2,100 lm
929002089842	MAS LEDtube VLE 1200mm HO 16W 865 T8 SL	240 degree(s)	6500 K	80	865	70 %	2,100 lm
929002089912	MAS LEDtube VLE 1500mm HO 19W 840 T8 BR	240 degree(s)	4000 K	80	840	70 %	2,500 lm
929002090012	MAS LEDtube VLE 1500mm HO 19W 865 T8 BR	240 degree(s)	6500 K	80	865	70 %	2,500 lm
929002997602	MAS LEDtube VLE 1200mm UO 15.5W 830 T8	190 degree(s)	3000 K	80	830	70 %	2,300 lm
929002997702	MAS LEDtube VLE 1200mm UO 15.5W 840 T8	190 degree(s)	4000 K	80	840	70 %	2,500 lm
929002997802	MAS LEDtube VLE 1200mm UO 15.5W 865 T8	190 degree(s)	6500 K	80	865	70 %	2,500 lm
929002997810	MAS LEDtube VLE 1200mm UO 15.5W 865T8 CN	190 degree(s)	6500 K	80	865	70 %	2,500 lm
929002997902	MAS LEDtube VLE 1500mm UO 23W 830 T8	190 degree(s)	3000 K	80	830	70 %	3,400 lm
929002998002	MAS LEDtube VLE 1500mm UO 23W 840 T8	190 degree(s)	4000 K	80	840	70 %	3,700 lm
929002998102	MAS LEDtube VLE 1500mm UO 23W 865 T8	190 degree(s)	6500 K	80	865	70 %	3,700 lm
929002998110	MAS LEDtube VLE 1500mm UO 23W 865T8 CN	190 degree(s)	6500 K	80	865	70 %	3,700 lm
929003070108	MAS LEDtube VLE 1200mm HO 14W830 T8	240 degree(s)	3000 K	83	830	70 %	2,000 lm
929003070168	MAS LEDtube VLE 1200mm HO 13.5W830 T8	240 degree(s)	3000 K	83	830	70 %	2,000 lm
929003070208	MAS LEDtube VLE 1200mm HO 14W840 T8	240 degree(s)	4000 K	83	840	70 %	2,100 lm
929003070237	MAS LEDtube VLE 1200mm HO 14W840 T8 MY	240 degree(s)	4000 K	83	840	70 %	2,100 lm
929003070268	MAS LEDtube VLE 1200mm HO 13.5W840 T8	240 degree(s)	4000 K	83	840	70 %	2,100 lm
929003070308	MAS LEDtube VLE 1200mm HO 14W865 T8	240 degree(s)	6500 K	83	865	70 %	2,100 lm
929003070337	MAS LEDtube VLE 1200mm HO 14W865 T8 MY	240 degree(s)	6500 K	83	865	70 %	2,100 lm
929003070368	MAS LEDtube VLE 1200mm HO 13.5W865 T8	240 degree(s)	6500 K	83	865	70 %	2,100 lm
929004230010	MAS LEDtube VLE 600mm HO 6W 840 T8 CN	190 degree(s)	4000 K	80	840	0.7 %	1,000 lm
929004230110	MAS LEDtube VLE 600mm HO 6W 865 T8 CN	190 degree(s)	6500 K	80	865	0.7 %	1,000 lm
929004230210	MAS LEDtube VLE 1200mm HO 10W 840 T8 CN	190 degree(s)	4000 K	80	840	0.7 %	1,800 lm
929004230310	MAS LEDtube VLE 1200mm HO 10W 865 T8 CN	190 degree(s)	6500 K	80	865	0.7 %	1,800 lm

### Operating and Electrical

Order Code	Full Product Name	Line Frequency	Power Consumption	Wattage Equivalent	Order Code	Full Product Name	Line Frequency	Power Consumption	Wattage Equivalent
929004356402	MAS LEDtube VLE 1200mm 13.1W/15.5W 830T8	-	13.1 W	-	929004356602	MAS LEDtube VLE 1200mm 13.1W/15.5W 865T8	-	13.1 W	-
929004356502	MAS LEDtube VLE 1200mm 13.1W/15.5W 840T8	-	13.1 W	-	929004356702	MAS LEDtube VLE 1500mm 19.3W/23W 830 T8	-	19.3 W	-

## MASTER Value LED tube EM/Mains T8

Order Code	Full Product Name	Line Frequency	Power Consumption	Wattage Equivalent
929004356802	MAS LEDtube VLE 1500mm 19.3W/23W 840 T8	-	19.3 W	-
929004356902	MAS LEDtube VLE 1500mm 19.3W/23W 865 T8	-	19.3 W	-
929002021102	MAS LEDtube VLE 600mm HO 8W 830 T8	50 to 60 Hz	8 W	-
929002021202	MAS LEDtube VLE 600mm HO 8W 840 T8	50 to 60 Hz	8 W	-
929002021302	MAS LEDtube VLE 600mm HO 8W 865 T8	50 to 60 Hz	8 W	-
929003069808	MAS LEDtube VLE 600mm HO 8W 830 T8	50 to 60 Hz	8 W	-
929003069868	MAS LEDtube VLE 600mm HO 8W 830 T8	-	8 W	18 W
929003069908	MAS LEDtube VLE 600mm HO 8W 840 T8	50 to 60 Hz	8 W	-
929003069937	MAS LEDtube VLE 600mm HO 8W 840 T8 MY	50 to 60 Hz	8 W	-
929003069968	MAS LEDtube VLE 600mm HO 8W 840 T8	-	8 W	18 W
929003070008	MAS LEDtube VLE 600mm HO 8W 865 T8	50 to 60 Hz	8 W	-
929003070037	MAS LEDtube VLE 600mm HO 8W 865 T8 MY	50 to 60 Hz	8 W	-
929003070068	MAS LEDtube VLE 600mm HO 8W 865 T8	-	8 W	18 W
929002021702	MAS LEDtube VLE 1500mm HO 20.5W 830 T8	50 to 60 Hz	20.5 W	-
929002021802	MAS LEDtube VLE 1500mm HO 20.5W 840 T8	50 to 60 Hz	20.5 W	-
929002021902	MAS LEDtube VLE 1500mm HO 20.5W 865 T8	50 to 60 Hz	20.5 W	-
929002021402	MAS LEDtube VLE 1200mm HO 14W 830 T8	50 to 60 Hz	14 W	-

Order Code	Full Product Name	Line Frequency	Power Consumption	Wattage Equivalent
929002021502	MAS LEDtube VLE 1200mm HO 14W 840 T8	50 to 60 Hz	14 W	-
929002021602	MAS LEDtube VLE 1200mm HO 14W 865 T8	50 to 60 Hz	14 W	-
929002021738	MAS LEDtube VLE 1500mm HO 20.5W 830 T8	-	20.5 W	58 W
929002021838	MAS LEDtube VLE 1500mm HO 20.5W 840 T8	-	20.5 W	58 W
929002021938	MAS LEDtube VLE 1500mm HO 20.5W 865 T8	-	20.5 W	58 W
929002089512	MAS LEDtube VLE 600mm HO 8W 840 T8 BR	-	8 W	-
929002089542	MAS LEDtube VLE 600mm HO 8W 840 T8 SL	-	8 W	-
929002089612	MAS LEDtube VLE 600mm HO 8W 865 T8 BR	-	8 W	-
929002089642	MAS LEDtube VLE 600mm HO 8W 865 T8 SL	-	8 W	-
929002089712	MAS LEDtube VLE 1200mm HO 16W 840 T8 BR	-	16 W	-
929002089742	MAS LEDtube VLE 1200mm HO 16W 840 T8 SL	-	16 W	-
929002089812	MAS LEDtube VLE 1200mm HO 16W 865 T8 BR	-	16 W	-
929002089822	MAS LEDtube VLE 1200mm HO 16W 865 T8 SL	50 to 60 Hz	16 W	-
929002089842	MAS LEDtube VLE 1200mm HO 16W 865 T8 SL	-	16 W	-
929002089912	MAS LEDtube VLE 1500mm HO 19W 840 T8 BR	-	19 W	-
929002090012	MAS LEDtube VLE 1500mm HO 19W 865 T8 BR	-	19 W	-
929002997602	MAS LEDtube VLE 1200mm UO 15.5W 830 T8	50 to 60 Hz	15.5 W	-

## MASTER Value LED tube EM/Mains T8

Order Code	Full Product Name	Line Frequency	Power Consumption	Wattage Equivalent
929002997702	MAS LEDtube VLE 1200mm UO 15.5W 840 T8	50 to 60 Hz	15.5 W	-
929002997802	MAS LEDtube VLE 1200mm UO 15.5W 865 T8	50 to 60 Hz	15.5 W	-
929002997810	MAS LEDtube VLE 1200mm UO 15.5W 865T8 CN	-	15.5 W	36 W
929002997902	MAS LEDtube VLE 1500mm UO 23W 830 T8	50 to 60 Hz	23 W	-
929002998002	MAS LEDtube VLE 1500mm UO 23W 840 T8	50 to 60 Hz	23 W	-
929002998102	MAS LEDtube VLE 1500mm UO 23W 865 T8	50 to 60 Hz	23 W	-
929002998110	MAS LEDtube VLE 1500mm UO 23W 865T8 CN	-	23 W	58 W
929003070108	MAS LEDtube VLE 1200mm HO 14W830 T8	50 to 60 Hz	14 W	-
929003070168	MAS LEDtube VLE 1200mm HO 13.5W830 T8	-	13.5 W	36 W
929003070208	MAS LEDtube VLE 1200mm HO 14W840 T8	50 to 60 Hz	14 W	-

Order Code	Full Product Name	Line Frequency	Power Consumption	Wattage Equivalent
929003070237	MAS LEDtube VLE 1200mm HO 14W840 T8 MY	50 to 60 Hz	14 W	-
929003070268	MAS LEDtube VLE 1200mm HO 13.5W840 T8	-	13.5 W	36 W
929003070308	MAS LEDtube VLE 1200mm HO 14W865 T8	50 to 60 Hz	14 W	-
929003070337	MAS LEDtube VLE 1200mm HO 14W865 T8 MY	50 to 60 Hz	14 W	-
929003070368	MAS LEDtube VLE 1200mm HO 13.5W865 T8	-	13.5 W	36 W
929004230010	MAS LEDtube VLE 600mm HO 6W 840 T8 CN	-	6 W	18 W
929004230110	MAS LEDtube VLE 600mm HO 6W 865 T8 CN	-	6 W	18 W
929004230210	MAS LEDtube VLE 1200mm HO 10W 840 T8 CN	-	10 W	36 W
929004230310	MAS LEDtube VLE 1200mm HO 10W 865 T8 CN	-	10 W	36 W

### Temperature

Order Code	Full Product Name	T-Case Maximum (Nom)
929004356402	MAS LEDtube VLE 1200mm 13.1W/15.5W 830T8	55 °C
929004356502	MAS LEDtube VLE 1200mm 13.1W/15.5W 840T8	55 °C
929004356602	MAS LEDtube VLE 1200mm 13.1W/15.5W 865T8	55 °C
929004356702	MAS LEDtube VLE 1500mm 19.3W/23W 830 T8	55 °C
929004356802	MAS LEDtube VLE 1500mm 19.3W/23W 840 T8	55 °C
929004356902	MAS LEDtube VLE 1500mm 19.3W/23W 865 T8	55 °C
929002021102	MAS LEDtube VLE 600mm HO 8W 830 T8	55 °C
929002021202	MAS LEDtube VLE 600mm HO 8W 840 T8	55 °C
929002021302	MAS LEDtube VLE 600mm HO 8W 865 T8	55 °C
929003069808	MAS LEDtube VLE 600mm HO 8W 830 T8	55 °C
929003069868	MAS LEDtube VLE 600mm HO 8W 830 T8	55 °C
929003069908	MAS LEDtube VLE 600mm HO 8W 840 T8	55 °C
929003069937	MAS LEDtube VLE 600mm HO 8W 840 T8 MY	55 °C
929003069968	MAS LEDtube VLE 600mm HO 8W 840 T8	55 °C
929003070008	MAS LEDtube VLE 600mm HO 8W 865 T8	55 °C
929003070037	MAS LEDtube VLE 600mm HO 8W 865 T8 MY	55 °C

Order Code	Full Product Name	T-Case Maximum (Nom)
929003070068	MAS LEDtube VLE 600mm HO 8W 865 T8	55 °C
929002021702	MAS LEDtube VLE 1500mm HO 20.5W 830 T8	65 °C
929002021802	MAS LEDtube VLE 1500mm HO 20.5W 840 T8	65 °C
929002021902	MAS LEDtube VLE 1500mm HO 20.5W 865 T8	65 °C
929002021402	MAS LEDtube VLE 1200mm HO 14W 830 T8	60 °C
929002021502	MAS LEDtube VLE 1200mm HO 14W 840 T8	60 °C
929002021602	MAS LEDtube VLE 1200mm HO 14W 865 T8	60 °C
929002021738	MAS LEDtube VLE 1500mm HO 20.5W 830 T8	65 °C
929002021838	MAS LEDtube VLE 1500mm HO 20.5W 840 T8	65 °C
929002021938	MAS LEDtube VLE 1500mm HO 20.5W 865 T8	65 °C
929002089512	MAS LEDtube VLE 600mm HO 8W 840 T8 BR	55 °C
929002089542	MAS LEDtube VLE 600mm HO 8W 840 T8 SL	55 °C
929002089612	MAS LEDtube VLE 600mm HO 8W 865 T8 BR	55 °C
929002089642	MAS LEDtube VLE 600mm HO 8W 865 T8 SL	55 °C
929002089712	MAS LEDtube VLE 1200mm HO 16W 840 T8 BR	60 °C
929002089742	MAS LEDtube VLE 1200mm HO 16W 840 T8 SL	60 °C

## MASTER Value LED tube EM/Mains T8

Order Code	Full Product Name	T-Case Maximum (Nom)
929002089812	MAS LEDtube VLE 1200mm HO 16W 865 T8 BR	60 °C
929002089822	MAS LEDtube VLE 1200mm HO 16W 865 T8 SL	60 °C
929002089842	MAS LEDtube VLE 1200mm HO 16W 865 T8 SL	60 °C
929002089912	MAS LEDtube VLE 1500mm HO 19W 840 T8 BR	65 °C
929002090012	MAS LEDtube VLE 1500mm HO 19W 865 T8 BR	65 °C
929002997602	MAS LEDtube VLE 1200mm UO 15.5W 830 T8	60 °C
929002997702	MAS LEDtube VLE 1200mm UO 15.5W 840 T8	60 °C
929002997802	MAS LEDtube VLE 1200mm UO 15.5W 865 T8	60 °C
929002997810	MAS LEDtube VLE 1200mm UO 15.5W 865T8 CN	60 °C
929002997902	MAS LEDtube VLE 1500mm UO 23W 830 T8	65 °C
929002998002	MAS LEDtube VLE 1500mm UO 23W 840 T8	65 °C
929002998102	MAS LEDtube VLE 1500mm UO 23W 865 T8	65 °C
929002998110	MAS LEDtube VLE 1500mm UO 23W 865T8 CN	65 °C

Order Code	Full Product Name	T-Case Maximum (Nom)
929003070108	MAS LEDtube VLE 1200mm HO 14W830 T8	55 °C
929003070168	MAS LEDtube VLE 1200mm HO 13.5W830 T8	55 °C
929003070208	MAS LEDtube VLE 1200mm HO 14W840 T8	55 °C
929003070237	MAS LEDtube VLE 1200mm HO 14W840 T8 MY	55 °C
929003070268	MAS LEDtube VLE 1200mm HO 13.5W840 T8	55 °C
929003070308	MAS LEDtube VLE 1200mm HO 14W865 T8	55 °C
929003070337	MAS LEDtube VLE 1200mm HO 14W865 T8 MY	55 °C
929003070368	MAS LEDtube VLE 1200mm HO 13.5W865 T8	55 °C
929004230010	MAS LEDtube VLE 600mm HO 6W 840 T8 CN	50 °C
929004230110	MAS LEDtube VLE 600mm HO 6W 865 T8 CN	50 °C
929004230210	MAS LEDtube VLE 1200mm HO 10W 840 T8 CN	50 °C
929004230310	MAS LEDtube VLE 1200mm HO 10W 865 T8 CN	50 °C

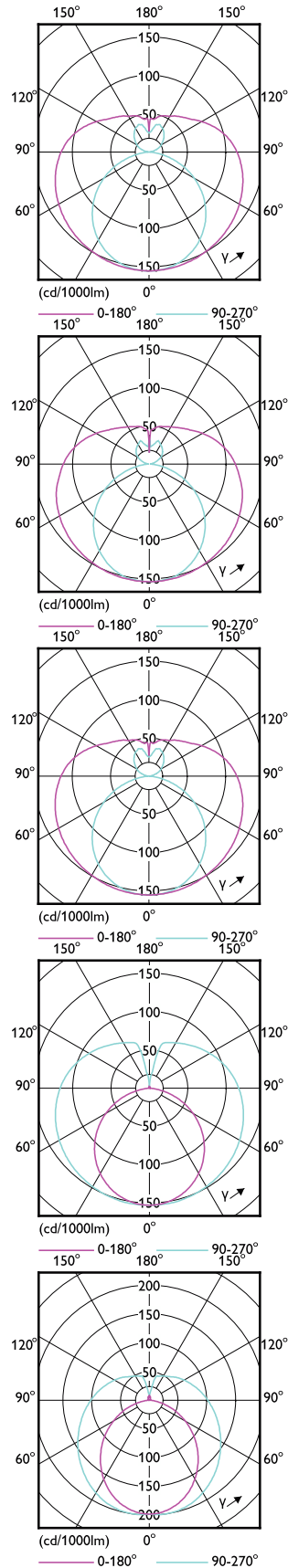
### Approval and Application

Order Code	Full Product Name	Ambient temperature range	Energy Consumption kWh/1000 h
929004356402	MAS LEDtube VLE 1200mm 13.1W/15.5W 830T8	-20 to +45 °C	16 kWh
929004356502	MAS LEDtube VLE 1200mm 13.1W/15.5W 840T8	-20 to +45 °C	16 kWh
929004356602	MAS LEDtube VLE 1200mm 13.1W/15.5W 865T8	-20 to +45 °C	16 kWh
929004356702	MAS LEDtube VLE 1500mm 19.3W/23W 830 T8	-20 to +45 °C	23 kWh
929004356802	MAS LEDtube VLE 1500mm 19.3W/23W 840 T8	-20 to +45 °C	23 kWh
929004356902	MAS LEDtube VLE 1500mm 19.3W/23W 865 T8	-20 to +45 °C	23 kWh
929002021102	MAS LEDtube VLE 600mm HO 8W 830 T8	-20 to +45 °C	8 kWh
929002021202	MAS LEDtube VLE 600mm HO 8W 840 T8	-20 to +45 °C	8 kWh
929002021302	MAS LEDtube VLE 600mm HO 8W 865 T8	-20 to +45 °C	8 kWh
929003069808	MAS LEDtube VLE 600mm HO 8W 830 T8	-20 °C to 45 °C	-
929003069868	MAS LEDtube VLE 600mm HO 8W 830 T8	-20 to +45 °C	-
929003069908	MAS LEDtube VLE 600mm HO 8W 840 T8	-20 °C to 45 °C	-
929003069937	MAS LEDtube VLE 600mm HO 8W 840 T8 MY	-20 °C to 45 °C	-
929003069968	MAS LEDtube VLE 600mm HO 8W 840 T8	-20 to +45 °C	-
929003070008	MAS LEDtube VLE 600mm HO 8W 865 T8	-20 °C to 45 °C	-
929003070037	MAS LEDtube VLE 600mm HO 8W 865 T8 MY	-20 °C to 45 °C	-

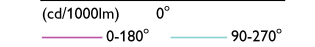
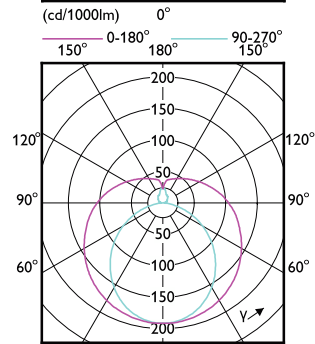
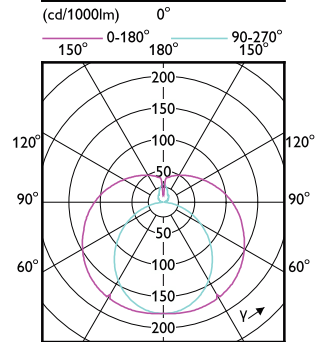
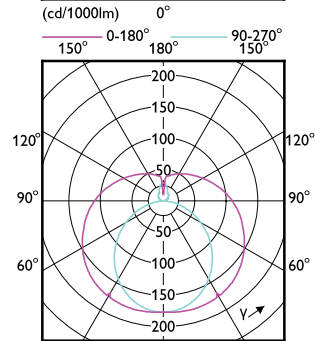
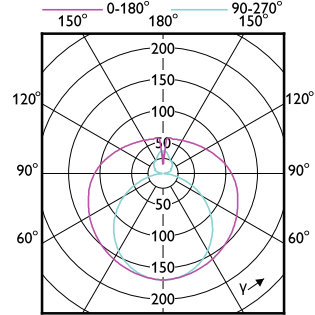
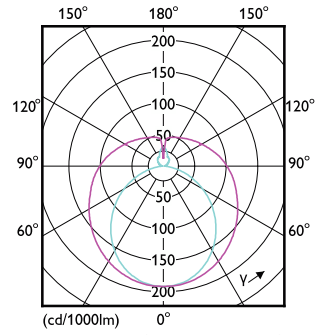
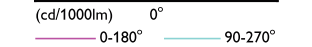
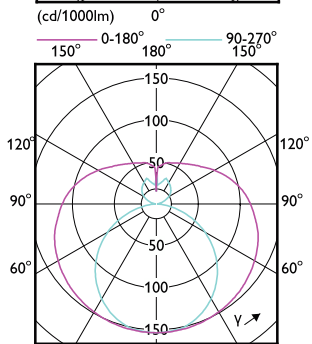
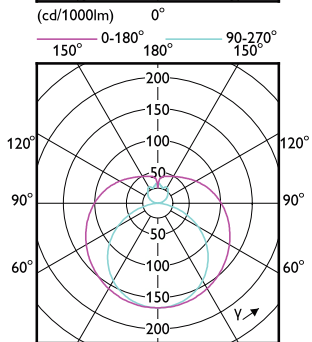
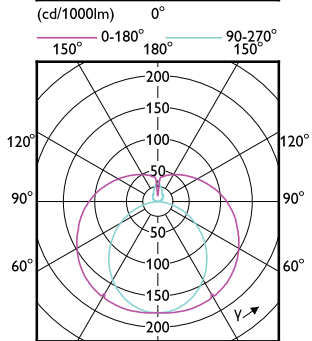
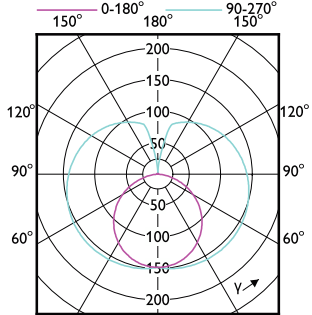
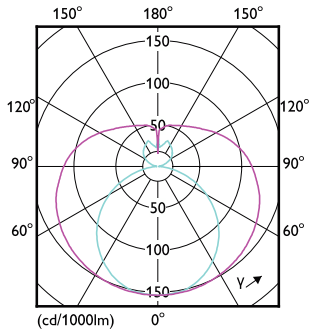
Order Code	Full Product Name	Ambient temperature range	Energy Consumption kWh/1000 h
929003070068	MAS LEDtube VLE 600mm HO 8W 865 T8	-20 to +45 °C	-
929002021702	MAS LEDtube VLE 1500mm HO 20.5W 830 T8	-20 °C to 45 °C	21 kWh
929002021802	MAS LEDtube VLE 1500mm HO 20.5W 840 T8	-20 °C to 45 °C	21 kWh
929002021902	MAS LEDtube VLE 1500mm HO 20.5W 865 T8	-20 °C to 45 °C	21 kWh
929002021402	MAS LEDtube VLE 1200mm HO 14W 830 T8	-20 °C to 45 °C	14 kWh
929002021502	MAS LEDtube VLE 1200mm HO 14W 840 T8	-20 °C to 45 °C	14 kWh
929002021602	MAS LEDtube VLE 1200mm HO 14W 865 T8	-20 °C to 45 °C	14 kWh
929002021738	MAS LEDtube VLE 1500mm HO 20.5W 830 T8	-20 to +45 °C	-
929002021838	MAS LEDtube VLE 1500mm HO 20.5W 840 T8	-20 to +45 °C	-
929002021938	MAS LEDtube VLE 1500mm HO 20.5W 865 T8	-20 to +45 °C	-
929002089512	MAS LEDtube VLE 600mm HO 8W 840 T8 BR	-20 to +45 °C	-
929002089542	MAS LEDtube VLE 600mm HO 8W 840 T8 SL	-20 to +45 °C	-
929002089612	MAS LEDtube VLE 600mm HO 8W 865 T8 BR	-20 to +45 °C	-
929002089642	MAS LEDtube VLE 600mm HO 8W 865 T8 SL	-20 to +45 °C	-
929002089712	MAS LEDtube VLE 1200mm HO 16W 840 T8 BR	-20 to +45 °C	-
929002089742	MAS LEDtube VLE 1200mm HO 16W 840 T8 SL	-20 to +45 °C	-

# MASTER Value LED tube EM/Mains T8

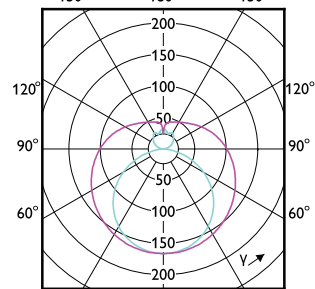
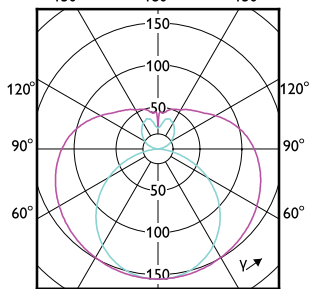
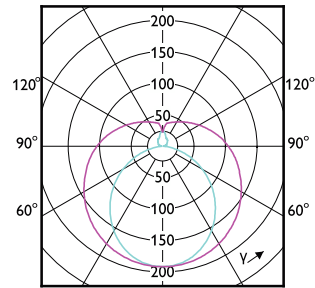
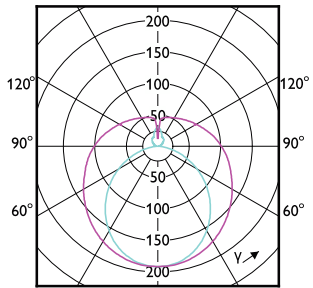
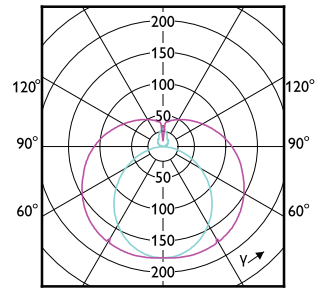
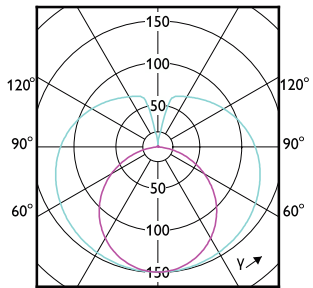
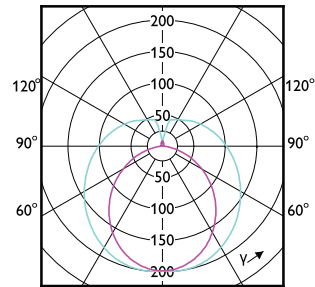
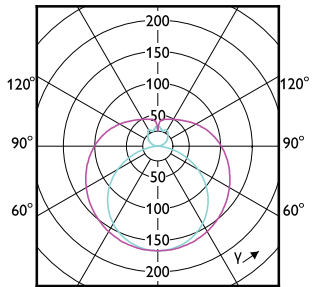
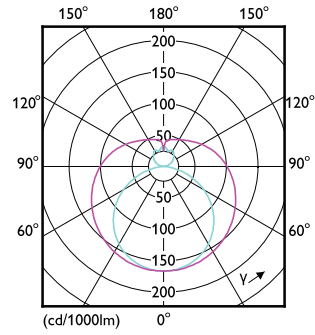
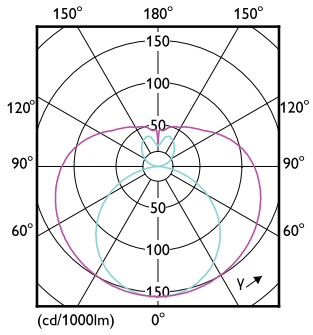
Order Code	Full Product Name	Ambient temperature range	Energy Consumption kWh/1000 h
929002089812	MAS LEDtube VLE 1200mm HO 16W 865 T8 BR	-20 to +45 °C	-
929002089822	MAS LEDtube VLE 1200mm HO 16W 865 T8 SL	-20 °C to 45 °C	-
929002089842	MAS LEDtube VLE 1200mm HO 16W 865 T8 SL	-20 to +45 °C	-
929002089912	MAS LEDtube VLE 1500mm HO 19W 840 T8 BR	-20 to +45 °C	-
929002090012	MAS LEDtube VLE 1500mm HO 19W 865 T8 BR	-20 to +45 °C	-
929002997602	MAS LEDtube VLE 1200mm UO 15.5W 830 T8	-20 °C to 45 °C	16 kWh
929002997702	MAS LEDtube VLE 1200mm UO 15.5W 840 T8	-20 °C to 45 °C	16 kWh
929002997802	MAS LEDtube VLE 1200mm UO 15.5W 865 T8	-20 °C to 45 °C	16 kWh
929002997810	MAS LEDtube VLE 1200mm UO 15.5W 865T8 CN	-20 to +45 °C	-
929002997902	MAS LEDtube VLE 1500mm UO 23W 830 T8	-20 °C to 45 °C	23 kWh
929002998002	MAS LEDtube VLE 1500mm UO 23W 840 T8	-20 °C to 45 °C	23 kWh
929002998102	MAS LEDtube VLE 1500mm UO 23W 865 T8	-20 °C to 45 °C	23 kWh
929002998110	MAS LEDtube VLE 1500mm UO 23W 865T8 CN	-20 to +45 °C	-
929003070108	MAS LEDtube VLE 1200mm HO 14W830 T8	-20 °C to 45 °C	-
929003070168	MAS LEDtube VLE 1200mm HO 13.5W830 T8	-20 to +45 °C	-
929003070208	MAS LEDtube VLE 1200mm HO 14W840 T8	-20 °C to 45 °C	-
929003070237	MAS LEDtube VLE 1200mm HO 14W840 T8 MY	-20 °C to 45 °C	-
929003070268	MAS LEDtube VLE 1200mm HO 13.5W840 T8	-20 to +45 °C	-
929003070308	MAS LEDtube VLE 1200mm HO 14W865 T8	-20 °C to 45 °C	-
929003070337	MAS LEDtube VLE 1200mm HO 14W865 T8 MY	-20 °C to 45 °C	-
929003070368	MAS LEDtube VLE 1200mm HO 13.5W865 T8	-20 to +45 °C	-
929004230010	MAS LEDtube VLE 600mm HO 6W 840 T8 CN	-20 to +45 °C	-
929004230110	MAS LEDtube VLE 600mm HO 6W 865 T8 CN	-20 to +45 °C	-
929004230210	MAS LEDtube VLE 1200mm HO 10W 840 T8 CN	-20 to +45 °C	-
929004230310	MAS LEDtube VLE 1200mm HO 10W 865 T8 CN	-20 to +45 °C	-



# MASTER Value LED tube EM/Mains T8



# MASTER Value LED tube EM/Mains T8



# MASTER Value LED tube EM/Mains T8

