



Bring out the beauty in merchandise with brighter, high performance lighting

MASTER LED spot PAR High Lumen

Philips High Lumen PAR30L integrates a leading COB LED light source and a compact high efficiency driver into a traditional CDM PAR30L form-factor. It brings out the beauty in merchandise with brighter, high performance lighting. Additionally, the lamp features an over temperature protection (OTP) to ensure a long operating life time.

Benefits

- Lower initial investment for LED CDM replacement PAR30
- Up to 43% energy saving compared to standard CDM lamps
- High efficiency solution >100lm/W

Features

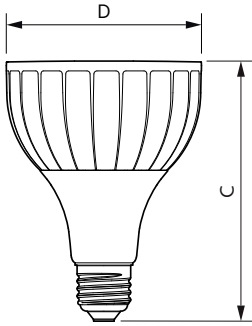
- Easy retrofit to CDM PAR30L lamps with E27 base
- Emits virtually no heat and will not fade colors
- Lifetime of 25,000 hours
- UV- and IR-free light
- Free of mercury and hazardous materials – RoHS Compliant

Application

- Shops, hotels, restaurants, museums

MASTER LED spot PAR High Lumen

Dimensional drawing



Product	D	C
Master LED PAR30L 20W 15D 830	95.5 mm	129 mm
Master LED PAR30L 20W 15D 830 CN	95.5 mm	129 mm
Master LED PAR30L 20W 15D 840 CN	95.5 mm	129 mm
Master LED PAR30L 20W 30D 830	95.5 mm	129 mm
Master LED PAR30L 20W 30D 830 CN	95.5 mm	129 mm
Master LED PAR30L 20W 30D 840	95.5 mm	129 mm
Master LED PAR30L 20W 30D 840 CN	95.5 mm	129 mm
Master LED PAR30L 28W 15D 830 100-277V	95.5 mm	129 mm
Master LED PAR30L 28W 30D 830 100-277V	95.5 mm	129 mm
Master LED PAR30L 32W 15D 830 CN	95.5 mm	129 mm
Master LED PAR30L 32W 15D 840 CN	95.5 mm	129 mm
Master LED PAR30L 32W 15D 860 CN	95.5 mm	129 mm
Master LED PAR30L 32W 30D 830	95.5 mm	129 mm
Master LED PAR30L 32W 30D 830 220V		
Master LED PAR30L 32W 30D 830 CN	95.5 mm	129 mm
Master LED PAR30L 32W 30D 840	95.5 mm	129 mm
Master LED PAR30L 32W 30D 840 220V		
Master LED PAR30L 32W 30D 840 CN	95.5 mm	129 mm
Master LED PAR30L 32W 30D 857	95.5 mm	129 mm
Master LED PAR30L 32W 30D 860 CN	95.5 mm	129 mm
Master LED PAR30L 40W 30D 830 CN	95.5 mm	129 mm
Master LED PAR30L 40W 30D 840 CN	95.5 mm	129 mm

General Information

Cap-Base	E27
Switching Cycle	50,000
Nominal lifetime	25,000 hour(s)

Light Technical

LLMF At End Of Nominal Lifetime (Nom)	70 %
---------------------------------------	------

Operating and Electrical

Input Frequency	50 to 60 Hz
Starting Time (Nom)	0.5 s

Controls and Dimming

Dimmable	No
----------	----

Mechanical and Housing

Bulb Shape	PAR30L
------------	--------

Light Technical (1/2)

Order Code	Full Product Name	Beam Angle (Nom)	Correlated Color	Color	Color Code
			Temperature (Nom)	rendering index (CRI)	
929001353808	Master LED PAR30L 20W 15D 830	15 degree(s)	3000 K	82	830
929001353810	Master LED PAR30L 20W 15D 830 CN	15 degree(s)	3000 K	82	830
929001353910	Master LED PAR30L 20W 15D 840 CN	15 degree(s)	4000 K	82	840
929001354008	Master LED PAR30L 20W 30D 830	30 degree(s)	3000 K	82	830
929001354010	Master LED PAR30L 20W 30D 830 CN	30 degree(s)	3000 K	82	830
929001354108	Master LED PAR30L 20W 30D 840	30 degree(s)	4000 K	82	840
929001354110	Master LED PAR30L 20W 30D 840 CN	30 degree(s)	4000 K	82	840
929001354310	Master LED PAR30L 32W 15D 830 CN	15 degree(s)	3000 K	82	830
929001354410	Master LED PAR30L 32W 15D 840 CN	15 degree(s)	4000 K	82	840
929001354510	Master LED PAR30L 32W 15D 860 CN	15 degree(s)	6000 K	82	860

MASTER LED spot PAR High Lumen

Order Code	Full Product Name	Beam Angle (Nom)	Correlated Color	Color	Color Code
			Temperature (Nom)	rendering index (CRI)	
929001354708	Master LED PAR30L 32W 30D 830	30 degree(s)	3000 K	82	830
929001354710	Master LED PAR30L 32W 30D 830 CN	30 degree(s)	3000 K	82	830
929001354722	Master LED PAR30L 32W 30D 830 220V	30 degree(s)	3000 K	80	830
929001354808	Master LED PAR30L 32W 30D 840	30 degree(s)	4000 K	82	840
929001354810	Master LED PAR30L 32W 30D 840 CN	30 degree(s)	4000 K	82	840
929001354822	Master LED PAR30L 32W 30D 840 220V	30 degree(s)	4000 K	80	840
929001354908	Master LED PAR30L 32W 30D 857	30 degree(s)	5700 K	82	857
929001354910	Master LED PAR30L 32W 30D 860 CN	30 degree(s)	6000 K	82	860
929001374810	Master LED PAR30L 40W 30D 830 CN	30 degree(s)	3000 K	82	830
929001374910	Master LED PAR30L 40W 30D 840 CN	30 degree(s)	4000 K	82	840
929001941912	Master LED PAR30L 28W 15D 830 100-277V	15 degree(s)	3000 K	80	830
929001942012	Master LED PAR30L 28W 30D 830 100-277V	30 degree(s)	3000 K	80	830

Light Technical (2/2)

Order Code	Full Product Name	Luminous Flux	Luminous	Order Code	Full Product Name	Luminous Flux	Luminous
			Intensity (Nom)				Intensity (Nom)
929001353808	Master LED PAR30L 20W 15D 830	1,800 lm	18,000 cd	929001354722	Master LED PAR30L 32W 30D 830 220V	3,000 lm	11,000 cd
929001353810	Master LED PAR30L 20W 15D 830 CN	1,800 lm	18,000 cd	929001354808	Master LED PAR30L 32W 30D 840	3,000 lm	-
929001353910	Master LED PAR30L 20W 15D 840 CN	1,850 lm	-	929001354810	Master LED PAR30L 32W 30D 840 CN	3,000 lm	-
929001354008	Master LED PAR30L 20W 30D 830	1,800 lm	5,400 cd	929001354822	Master LED PAR30L 32W 30D 840 220V	3,000 lm	12,000 cd
929001354010	Master LED PAR30L 20W 30D 830 CN	1,800 lm	5,400 cd	929001354908	Master LED PAR30L 32W 30D 857	3,000 lm	-
929001354108	Master LED PAR30L 20W 30D 840	1,850 lm	-	929001354910	Master LED PAR30L 32W 30D 860 CN	3,000 lm	-
929001354110	Master LED PAR30L 20W 30D 840 CN	1,850 lm	-	929001374810	Master LED PAR30L 40W 30D 830 CN	4,500 lm	13,500 cd
929001354310	Master LED PAR30L 32W 15D 830 CN	3,000 lm	-	929001374910	Master LED PAR30L 40W 30D 840 CN	4,600 lm	14,000 cd
929001354410	Master LED PAR30L 32W 15D 840 CN	3,000 lm	-	929001941912	Master LED PAR30L 28W 15D 830 100-277V	3,000 lm	27,000 cd
929001354510	Master LED PAR30L 32W 15D 860 CN	3,000 lm	-	929001942012	Master LED PAR30L 28W 30D 830 100-277V	3,000 lm	9,600 cd
929001354708	Master LED PAR30L 32W 30D 830	3,000 lm	-				
929001354710	Master LED PAR30L 32W 30D 830 CN	3,000 lm	-				

Operating and Electrical

MASTER LED spot PAR High Lumen

Order Code	Full Product Name	Line Frequency	Power	Wattage
			Consumption	Equivalent
929001353808	Master LED PAR30L 20W 15D 830	50 to 60 Hz	20 W	35 W
929001353810	Master LED PAR30L 20W 15D 830 CN	50 to 60 Hz	20 W	35 W
929001353910	Master LED PAR30L 20W 15D 840 CN	50 to 60 Hz	20 W	35 W
929001354008	Master LED PAR30L 20W 30D 830	50 to 60 Hz	20 W	35 W
929001354010	Master LED PAR30L 20W 30D 830 CN	50 to 60 Hz	20 W	35 W
929001354108	Master LED PAR30L 20W 30D 840	50 to 60 Hz	20 W	35 W
929001354110	Master LED PAR30L 20W 30D 840 CN	50 to 60 Hz	20 W	35 W
929001354310	Master LED PAR30L 32W 15D 830 CN	50 to 60 Hz	32 W	50 W
929001354410	Master LED PAR30L 32W 15D 840 CN	50 to 60 Hz	32 W	50 W
929001354510	Master LED PAR30L 32W 15D 860 CN	50 to 60 Hz	32 W	50 W
929001354708	Master LED PAR30L 32W 30D 830	50 to 60 Hz	32 W	50 W
929001354710	Master LED PAR30L 32W 30D 830 CN	50 to 60 Hz	32 W	50 W

Order Code	Full Product Name	Line Frequency	Power	Wattage
			Consumption	Equivalent
929001354722	Master LED PAR30L 32W 30D 830 220V	-	32 W	50 W
929001354808	Master LED PAR30L 32W 30D 840	50 to 60 Hz	32 W	50 W
929001354810	Master LED PAR30L 32W 30D 840 CN	50 to 60 Hz	32 W	50 W
929001354822	Master LED PAR30L 32W 30D 840 220V	-	32 W	50 W
929001354908	Master LED PAR30L 32W 30D 857	50 to 60 Hz	32 W	50 W
929001354910	Master LED PAR30L 32W 30D 860 CN	50 to 60 Hz	32 W	50 W
929001374810	Master LED PAR30L 40W 30D 830 CN	50 to 60 Hz	40 W	70 W
929001374910	Master LED PAR30L 40W 30D 840 CN	50 to 60 Hz	40 W	70 W
929001941912	Master LED PAR30L 28W 15D 830 100-277V	50 to 60 Hz	28 W	50 W
929001942012	Master LED PAR30L 28W 30D 830 100-277V	50 to 60 Hz	28 W	50 W

Temperature

Order Code	Full Product Name	T-Case Maximum (Nom)
929001353808	Master LED PAR30L 20W 15D 830	67 °C
929001353810	Master LED PAR30L 20W 15D 830 CN	67 °C
929001353910	Master LED PAR30L 20W 15D 840 CN	67 °C
929001354008	Master LED PAR30L 20W 30D 830	67 °C
929001354010	Master LED PAR30L 20W 30D 830 CN	67 °C
929001354108	Master LED PAR30L 20W 30D 840	67 °C
929001354110	Master LED PAR30L 20W 30D 840 CN	67 °C
929001354310	Master LED PAR30L 32W 15D 830 CN	79 °C
929001354410	Master LED PAR30L 32W 15D 840 CN	79 °C
929001354510	Master LED PAR30L 32W 15D 860 CN	79 °C
929001354708	Master LED PAR30L 32W 30D 830	79 °C

Order Code	Full Product Name	T-Case Maximum (Nom)
929001354710	Master LED PAR30L 32W 30D 830 CN	79 °C
929001354722	Master LED PAR30L 32W 30D 830 220V	80 °C
929001354808	Master LED PAR30L 32W 30D 840	79 °C
929001354810	Master LED PAR30L 32W 30D 840 CN	79 °C
929001354822	Master LED PAR30L 32W 30D 840 220V	80 °C
929001354908	Master LED PAR30L 32W 30D 857	79 °C
929001354910	Master LED PAR30L 32W 30D 860 CN	79 °C
929001374810	Master LED PAR30L 40W 30D 830 CN	90 °C
929001374910	Master LED PAR30L 40W 30D 840 CN	90 °C
929001941912	Master LED PAR30L 28W 15D 830 100-277V	80 °C
929001942012	Master LED PAR30L 28W 30D 830 100-277V	80 °C

Mechanical and Housing

Order Code	Full Product Name	Bulb Finish
929001353808	Master LED PAR30L 20W 15D 830	-
929001353810	Master LED PAR30L 20W 15D 830 CN	-
929001353910	Master LED PAR30L 20W 15D 840 CN	-
929001354008	Master LED PAR30L 20W 30D 830	-
929001354010	Master LED PAR30L 20W 30D 830 CN	-
929001354108	Master LED PAR30L 20W 30D 840	-
929001354110	Master LED PAR30L 20W 30D 840 CN	-

Order Code	Full Product Name	Bulb Finish
929001354310	Master LED PAR30L 32W 15D 830 CN	-
929001354410	Master LED PAR30L 32W 15D 840 CN	-
929001354510	Master LED PAR30L 32W 15D 860 CN	-
929001354708	Master LED PAR30L 32W 30D 830	-
929001354710	Master LED PAR30L 32W 30D 830 CN	-
929001354722	Master LED PAR30L 32W 30D 830 220V	Clear
929001354808	Master LED PAR30L 32W 30D 840	-

MASTER LED spot PAR High Lumen

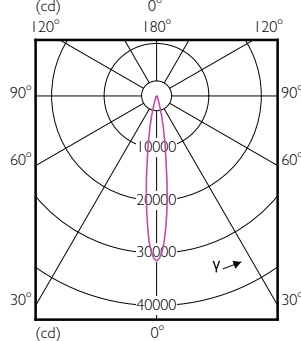
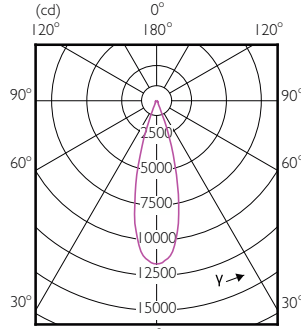
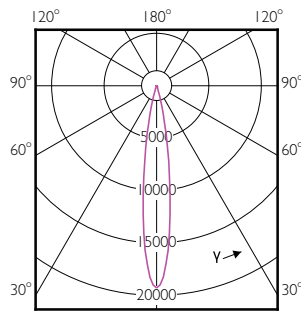
Order Code	Full Product Name	Bulb Finish
929001354810	Master LED PAR30L 32W 30D 840 CN	-
929001354822	Master LED PAR30L 32W 30D 840 220V	Clear
929001354908	Master LED PAR30L 32W 30D 857	-
929001354910	Master LED PAR30L 32W 30D 860 CN	-

Order Code	Full Product Name	Bulb Finish
929001374810	Master LED PAR30L 40W 30D 830 CN	-
929001374910	Master LED PAR30L 40W 30D 840 CN	-
929001941912	Master LED PAR30L 28W 15D 830 100-277V	-
929001942012	Master LED PAR30L 28W 30D 830 100-277V	-

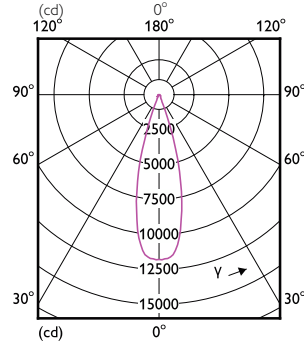
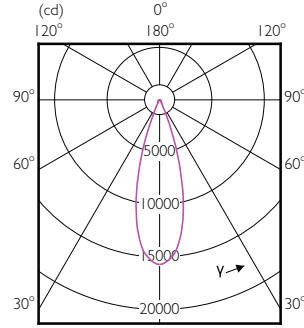
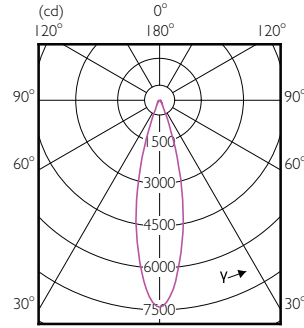
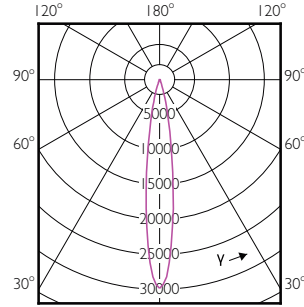
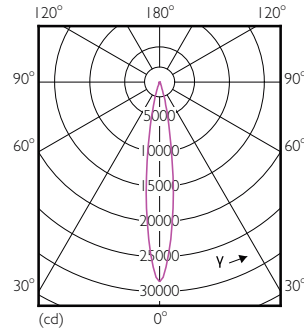
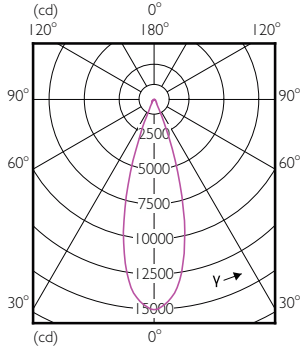
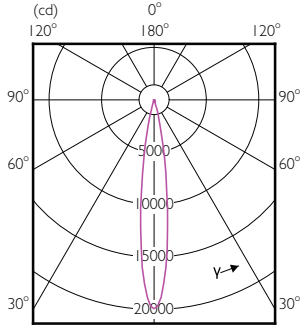
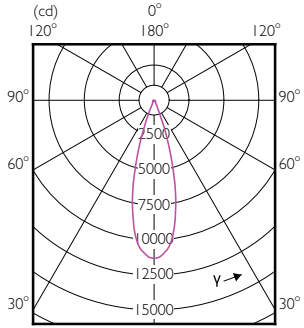
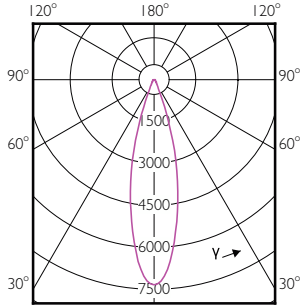
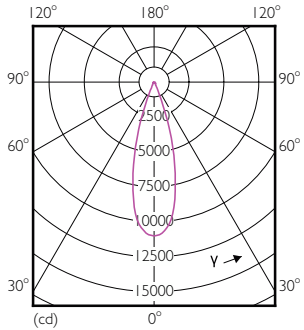
Approval and Application

Order Code	Full Product Name	Ambient temperature range	Energy Consumption kWh/1000 h
929001353808	Master LED PAR30L 20W 15D 830	-20 °C to 45 °C	20 kWh
929001353810	Master LED PAR30L 20W 15D 830 CN	-20 °C to 45 °C	20 kWh
929001353910	Master LED PAR30L 20W 15D 840 CN	-20 °C to 45 °C	20 kWh
929001354008	Master LED PAR30L 20W 30D 830	-20 °C to 45 °C	20 kWh
929001354010	Master LED PAR30L 20W 30D 830 CN	-20 °C to 45 °C	20 kWh
929001354108	Master LED PAR30L 20W 30D 840	-20 °C to 45 °C	20 kWh
929001354110	Master LED PAR30L 20W 30D 840 CN	-20 °C to 45 °C	20 kWh
929001354310	Master LED PAR30L 32W 15D 830 CN	-20 °C to 45 °C	32 kWh
929001354410	Master LED PAR30L 32W 15D 840 CN	-20 °C to 45 °C	32 kWh
929001354510	Master LED PAR30L 32W 15D 860 CN	-20 °C to 45 °C	32 kWh
929001354708	Master LED PAR30L 32W 30D 830	-20 °C to 45 °C	32 kWh
929001354710	Master LED PAR30L 32W 30D 830 CN	-20 °C to 45 °C	32 kWh
929001354722	Master LED PAR30L 32W 30D 830 220V	-20 °C to 45 °C	-
929001354808	Master LED PAR30L 32W 30D 840	-20 °C to 45 °C	32 kWh
929001354810	Master LED PAR30L 32W 30D 840 CN	-20 °C to 45 °C	32 kWh
929001354822	Master LED PAR30L 32W 30D 840 220V	-20 °C to 45 °C	-
929001354908	Master LED PAR30L 32W 30D 857	-20 °C to 45 °C	32 kWh
929001354910	Master LED PAR30L 32W 30D 860 CN	-20 °C to 45 °C	32 kWh
929001374810	Master LED PAR30L 40W 30D 830 CN	-20 °C to 45 °C	40 kWh
929001374910	Master LED PAR30L 40W 30D 840 CN	-20 °C to 45 °C	40 kWh
929001941912	Master LED PAR30L 28W 15D 830 100-277V	-20 to +45 °C	-

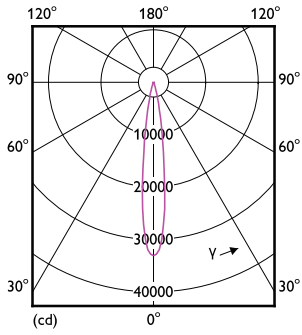
Order Code	Full Product Name	Ambient temperature range	Energy Consumption kWh/1000 h
929001942012	Master LED PAR30L 28W 30D 830 100-277V	-20 to +45 °C	-



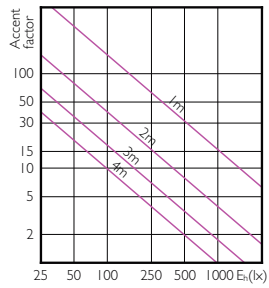
MASTER LED spot PAR High Lumen



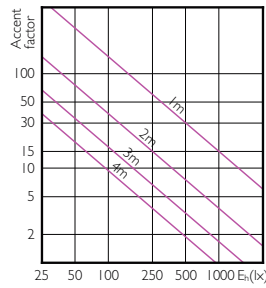
MASTER LED spot PAR High Lumen



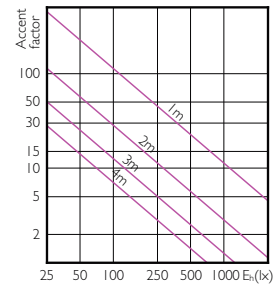
Accent Diagrams



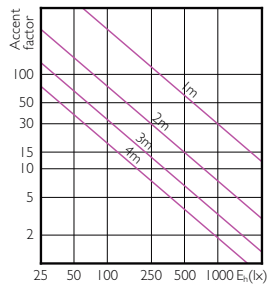
Accent Diagram - Master LED PAR30L 40W
30D 840 CN



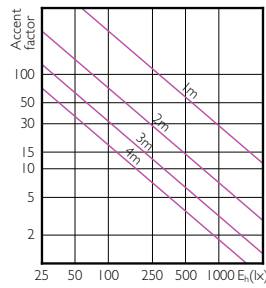
Accent Diagram - Master LED PAR30L 40W
30D 830 CN



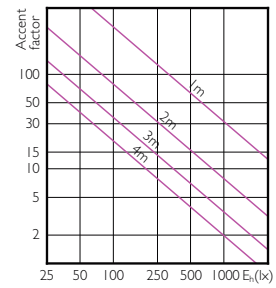
Accent Diagram - Master LED PAR30L 32W 30D
840 CN



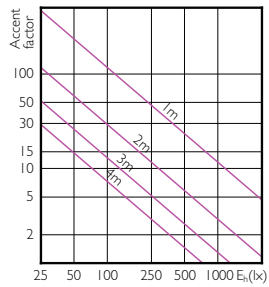
Accent Diagram - Master LED PAR30L 32W 15D
830 CN



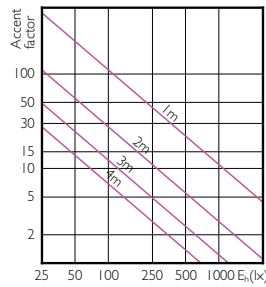
Accent Diagram - Master LED PAR30L 32W 15D
840 CN



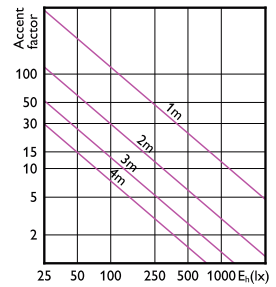
Accent Diagram - Master LED PAR30L 32W 15D
860 CN



Accent Diagram - Master LED PAR30L 32W 30D
830



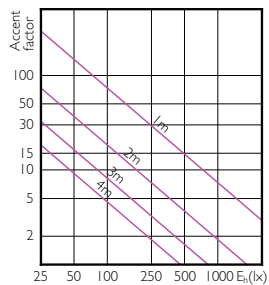
Accent Diagram - Master LED PAR30L 32W 30D
857



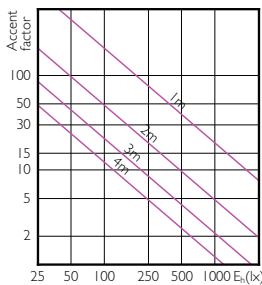
Accent Diagram - Master LED PAR30L 28W 30D
830 100-277V

MASTER LED spot PAR High Lumen

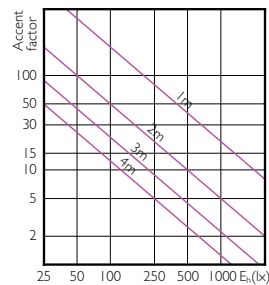
Accent Diagrams



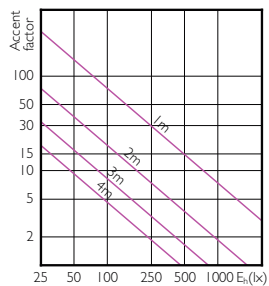
Accent Diagram - Master LED PAR30L 20W 30D 840



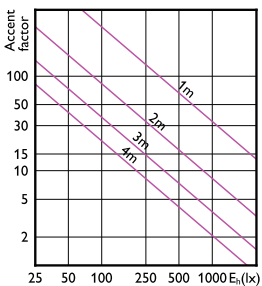
Accent Diagram - Master LED PAR30L 20W 15D 840 CN



Accent Diagram - Master LED PAR30L 20W 15D 830

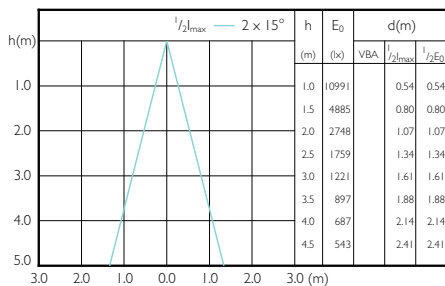


Accent Diagram - Master LED PAR30L 20W 30D 830 CN



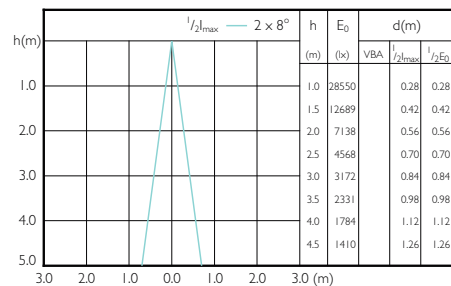
Accent Diagram - Master LED PAR30L 28W 15D 830 100-277V

Beam Diagrams



Beam diagram - Master LED PAR30L 32W 15D 830 CN

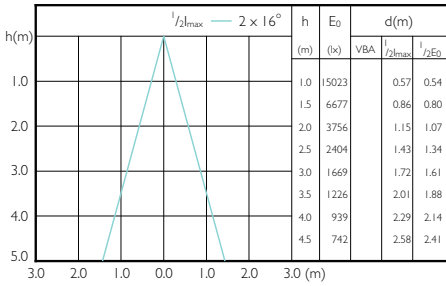
Beam diagram - Master LED PAR30L 32W 30D 857



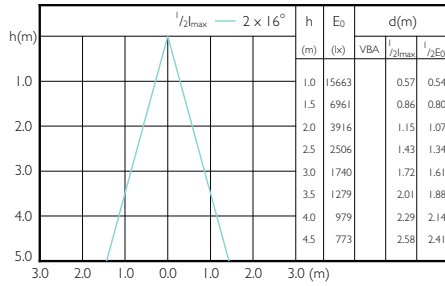
Beam diagram - Master LED PAR30L 32W 15D 840 CN

MASTER LED spot PAR High Lumen

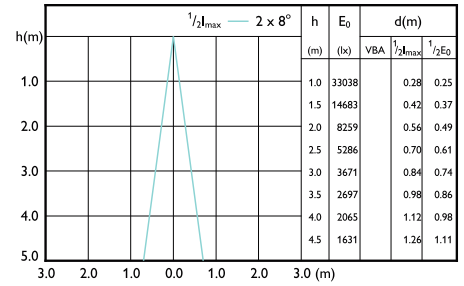
Beam Diagrams



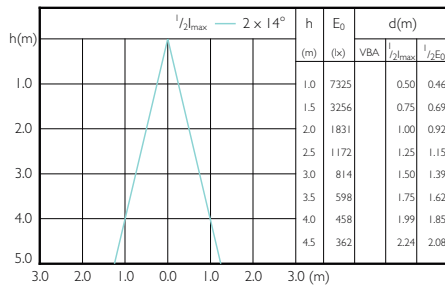
Beam diagram - Master LED PAR30L 40W 30D 830 CN



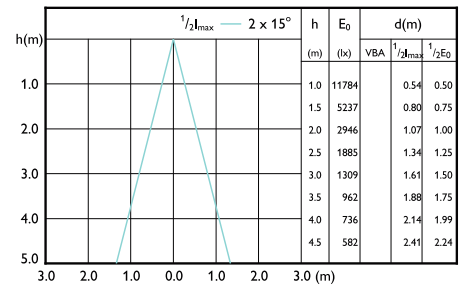
Beam diagram - Master LED PAR30L 40W 30D 840 CN



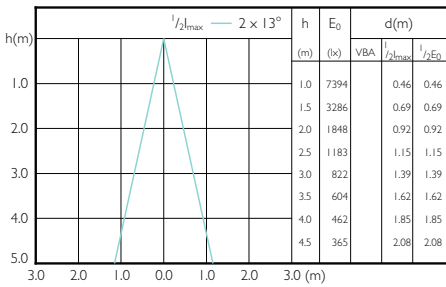
Beam diagram - Master LED PAR30L 28W 15D 830 100-277V



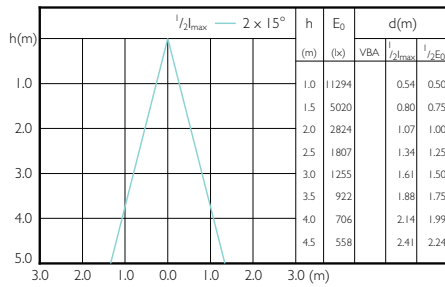
Beam diagram - Master LED PAR30L 20W 15D 840 CN



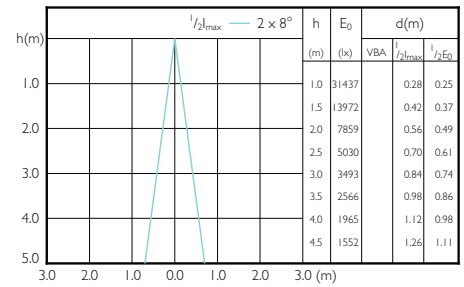
Beam diagram - Master LED PAR30L 28W 30D 830 100-277V



Beam diagram - Master LED PAR30L 20W 30D 830 CN



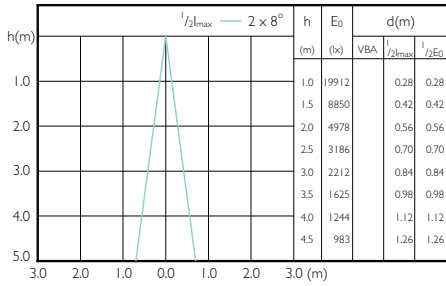
Beam diagram - Master LED PAR30L 32W 30D 840 CN



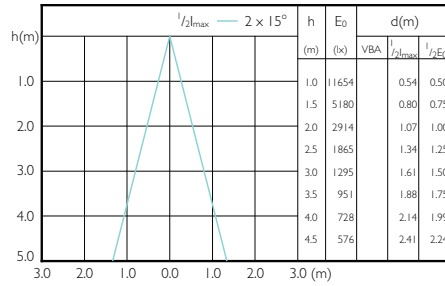
Beam diagram - Master LED PAR30L 32W 15D 860 CN

MASTER LED spot PAR High Lumen

Beam Diagrams



Beam diagram - Master LED PAR30L 20W 15D 830



Beam diagram - Master LED PAR30L 32W 30D 830

