



Classic LED filament lamps for decorative lighting

Classic filament LED candles and lusters

Featuring a classic heritage design, Classic filament LED candles and lusters combine the familiar shapes of classic incandescent candle or luster with the benefits of the long lasting LED technology. They deliver beautiful, decorative warm-white light while saving around 90% on energy costs compared with traditional light candles and lusters.

Benefits

- Around 90% energy saving
- Very long lifetime that reduces the need for replacement
- Easy replacement of classic conventional lamps

Features

- Heritage design with classic shape
- Designed to be seen, they look good on and off
- Perfect fit and high quality finishing
- High color rendering (CRI above 80) for vivid colors
- Environmentally friendly: contains no mercury or other hazardous substances

Application

- Perfect for decorative installations
- Domestic applications
- Hospitality: restaurants and hotels

Classic filament LED candles and lusters

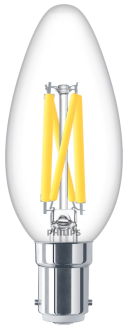
Versions



LED classic 40W P45 B15 CL
WGD90 SRT4 1



LED classic 40W B35 E14
WWFRNDRF2SRT6 UK



LEDclassic 40W B35 B15 CL
WGD90 SRT4 1



LEDclassic 40W P45 E27 CL
WGD90 SRT4 1



LED classic 40W P45 B22 CL
WGD90 SRT4 1



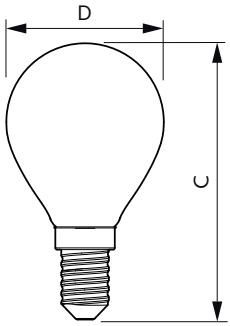
LEDclassic 40W B35 B22 CL
WGD90 SRT4 1



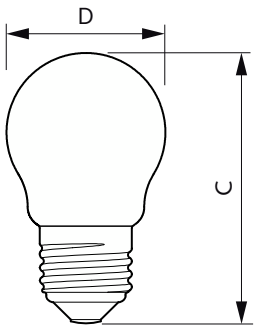
LEDclassic 40W P45 E14 WGD90
CL SRT4 1

Classic filament LED candles and lusters

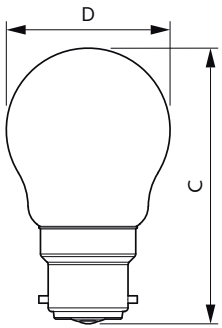
Dimensional drawing



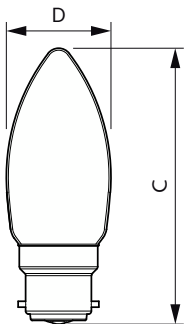
Product	D	C
LEDclassic 3.5W P45 2700K E14 D CL AU	45 mm	80 mm



Product	D	C
LEDclassic 3.5W P45 2700K E27 D CL AU	45 mm	78 mm



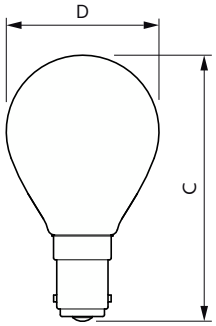
Product	D	C
LEDclassic 3.5W P45 2700K B22 D CL AU	45 mm	77 mm



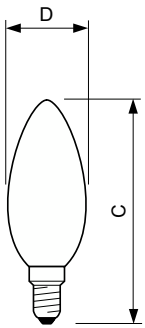
Product	D	C
LEDclassic 3.5W B35 2700K B22 D CL AU	35 mm	94 mm

Classic filament LED candles and lusters

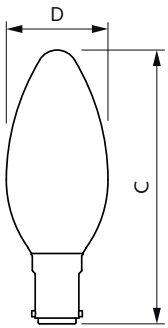
Dimensional drawing



Product	D	C
LEDclassic 3.5W P45 2700K B15 D CL AU	45 mm	79 mm



Product	D	C
LEDclassic 40W B35 2700K E14 ND FR AU	35 mm	97 mm



Product	D	C
LEDclassic 3.5W B35 2700K B15 D CL AU	35 mm	96 mm

Classic filament LED candles and lusters

General Information

Rated Lifetime (Hours)	15,000 h
Nominal lifetime	15,000 h

Light Technical

Correlated Color Temperature (Nom)	2700 K
LLMF At End Of Nominal Lifetime (Nom)	70 %
Luminous Flux	470 lm

Operating and Electrical

Input Frequency	50 to 60 Hz
Power Consumption	3.5 W
Wattage Equivalent	40 W

Approval and Application

Ambient temperature range	-20 to +45 °C
---------------------------	---------------

General Information

Order Code	Full Product Name	Cap-Base	Switching Cycle
929003013479	LEDclassic 3.5W P45 2700K B15 D CL AU	B15	20,000
929001345380	LEDclassic 40W B35 2700K E14 ND FR AU	E14	15,000
929003012579	LEDclassic 3.5W B35 2700K B15 D CL AU	B15	20,000
929003013279	LEDclassic 3.5W P45 2700K E27 D CL AU	E27	20,000
929003013379	LEDclassic 3.5W P45 2700K B22 D CL AU	B22	20,000
929003012479	LEDclassic 3.5W B35 2700K B22 D CL AU	B22	20,000
929003013179	LEDclassic 3.5W P45 2700K E14 D CL AU	E14	20,000

Light Technical

Order Code	Full Product Name	Beam Angle (Nom)	Color rendering index (CRI)	Color Code
929003013479	LEDclassic 3.5W P45 2700K B15 D CL AU	300 degree(s)	90	927
929001345380	LEDclassic 40W B35 2700K E14 ND FR AU	-	80	827
929003012579	LEDclassic 3.5W B35 2700K B15 D CL AU	300 degree(s)	90	927
929003013279	LEDclassic 3.5W P45 2700K E27 D CL AU	300 degree(s)	90	927

Order Code	Full Product Name	Beam Angle (Nom)	Color rendering index (CRI)	Color Code
929003013379	LEDclassic 3.5W P45 2700K B22 D CL AU	300 degree(s)	90	927
929003012479	LEDclassic 3.5W B35 2700K B22 D CL AU	300 degree(s)	90	927
929003013179	LEDclassic 3.5W P45 2700K E14 D CL AU	300 degree(s)	90	927

Operating and Electrical

Order Code	Full Product Name	Starting Time (Nom)
929003013479	LEDclassic 3.5W P45 2700K B15 D CL AU	0.5 s
929001345380	LEDclassic 40W B35 2700K E14 ND FR AU	0.4 s
929003012579	LEDclassic 3.5W B35 2700K B15 D CL AU	0.5 s
929003013279	LEDclassic 3.5W P45 2700K E27 D CL AU	0.5 s

Order Code	Full Product Name	Starting Time (Nom)
929003013379	LEDclassic 3.5W P45 2700K B22 D CL AU	0.5 s
929003012479	LEDclassic 3.5W B35 2700K B22 D CL AU	0.5 s
929003013179	LEDclassic 3.5W P45 2700K E14 D CL AU	0.5 s

Temperature

Order Code	Full Product Name	T-Case Maximum (Nom)
929003013479	LEDclassic 3.5W P45 2700K B15 D CL AU	70 °C
929001345380	LEDclassic 40W B35 2700K E14 ND FR AU	55 °C
929003012579	LEDclassic 3.5W B35 2700K B15 D CL AU	70 °C
929003013279	LEDclassic 3.5W P45 2700K E27 D CL AU	70 °C

Order Code	Full Product Name	T-Case Maximum (Nom)
929003013379	LEDclassic 3.5W P45 2700K B22 D CL AU	70 °C
929003012479	LEDclassic 3.5W B35 2700K B22 D CL AU	70 °C
929003013179	LEDclassic 3.5W P45 2700K E14 D CL AU	70 °C

Controls and Dimming

Order Code	Full Product Name	Dimmable
929003013479	LEDclassic 3.5W P45 2700K B15 D CL AU	Only with specific dimmers

Order Code	Full Product Name	Dimmable
929001345380	LEDclassic 40W B35 2700K E14 ND FR AU	No

Classic filament LED candles and lusters

Order Code	Full Product Name	Dimmable
929003012579	LEDclassic 3.5W B35 2700K B15 D CL AU	Only with specific dimmers
929003013279	LEDclassic 3.5W P45 2700K E27 D CL AU	Only with specific dimmers
929003013379	LEDclassic 3.5W P45 2700K B22 D CL AU	Only with specific dimmers

Order Code	Full Product Name	Dimmable
929003012479	LEDclassic 3.5W B35 2700K B22 D CL AU	Only with specific dimmers
929003013179	LEDclassic 3.5W P45 2700K E14 D CL AU	Only with specific dimmers

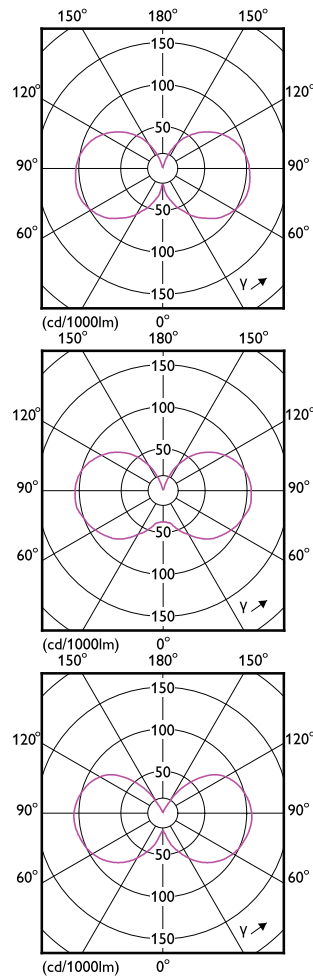
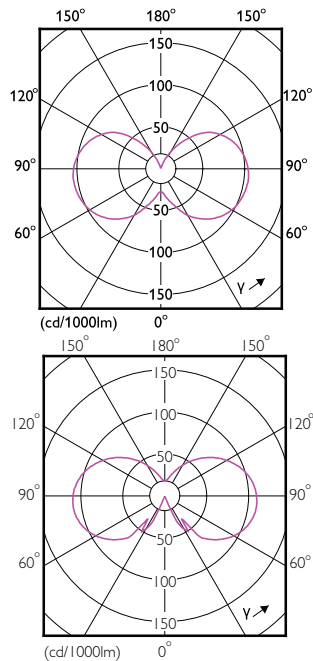
Mechanical and Housing

Order Code	Full Product Name	Bulb Finish	Bulb Shape
929003013479	LEDclassic 3.5W P45 2700K B15 D CL AU	Clear	P45
929001345380	LEDclassic 40W B35 2700K E14 ND FR AU	Frosted	B35
929003012579	LEDclassic 3.5W B35 2700K B15 D CL AU	Clear	B35
929003013279	LEDclassic 3.5W P45 2700K E27 D CL AU	Clear	P45

Order Code	Full Product Name	Bulb Finish	Bulb Shape
929003013379	LEDclassic 3.5W P45 2700K B22 D CL AU	Clear	P45
929003012479	LEDclassic 3.5W B35 2700K B22 D CL AU	Clear	B35
929003013179	LEDclassic 3.5W P45 2700K E14 D CL AU	Clear	P45

Approval and Application

Order Code	Full Product Name	Energy Consumption kWh/1000 h
929003013479	LEDclassic 3.5W P45 2700K B15 D CL AU	4 kWh
929001345380	LEDclassic 40W B35 2700K E14 ND FR AU	5 kWh
929003012579	LEDclassic 3.5W B35 2700K B15 D CL AU	4 kWh
929003013279	LEDclassic 3.5W P45 2700K E27 D CL AU	4 kWh
929003013379	LEDclassic 3.5W P45 2700K B22 D CL AU	4 kWh
929003012479	LEDclassic 3.5W B35 2700K B22 D CL AU	4 kWh
929003013179	LEDclassic 3.5W P45 2700K E14 D CL AU	4 kWh



Classic filament LED candles and lusters

