



The best LED solution for High Intensity Discharge (HID) lamp replacement

TrueForce Core LED Industrial and Retail (Highbay – HPI/SON/HPL)

Philips TrueForce Core LED I&R lamps offer an easy and short payback LED solution to replace High Intensity Discharge (HID) lamps. The products bring the energy efficiency and long lifetime benefits of LED to HID replacement and provide instant saving and low initial investment. With the right lamp size and light distribution, you can easily retrofit TrueForce Core LED I&R lamps and bypass the existing ballast while enhancing the lighting quality.

Benefits

- Cost saving with short payback time
- Light on the wider working space
- Low initial investment
- Enhance lighting quality with easy adoption

Features

- High energy efficiency
- Lifetime 20,000hrs
- Wide beam angle, 240°
- Bypass ballast and save additional energy
- Pleasant white light with CRI 80

Application

- Industrial/retail - warehouses, factories, shops, transport hubs

TrueForce Core LED Industrial and Retail (Highbay – HPI/SON/HPL)

Versions



LEDTForce Core HB Tshape E27



LEDTForce Core HB Tshape E40 1



LEDTForce Core Tshape E27 FR 3

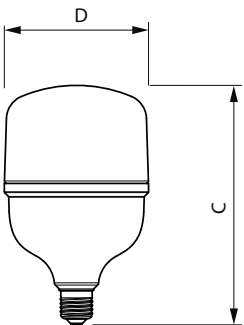
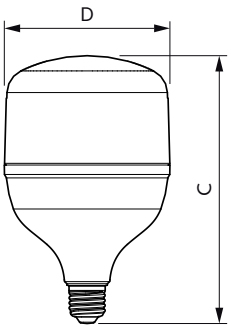


LEDTForce Core Tshape E27 FR 1



LEDTForce Core HB Tshape E40

Dimensional drawing

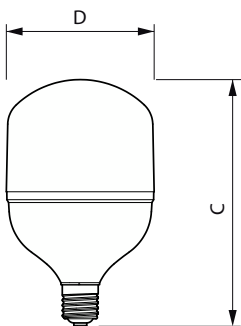
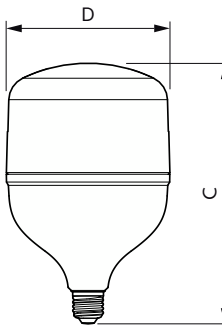
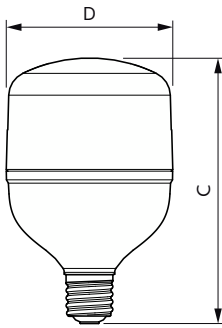
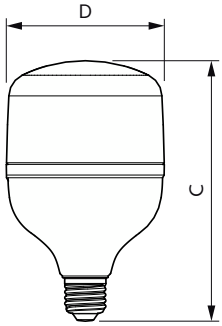


| Product | D | C |
|-------------------------------------|--------|--------|
| TForce Core HB 40W E27 865 GN3 | 118 mm | 193 mm |
| TForce Core HB MV ND 35W E27 840 G3 | 118 mm | 193 mm |

| Product | D | C |
|--|--------|--------|
| Corepro LEDBulb ND 4.3Klm 40W865 E27T120 | 119 mm | 195 mm |

TrueForce Core LED Industrial and Retail (Highbay – HPI/SON/HPL)

Dimensional drawing



| Product | D | C |
|-------------------------------------|--------|--------|
| TForce Core HB 30W E27 865 GN3 | 100 mm | 165 mm |
| TForce Core HB MV ND 24W E27 840 G3 | 100 mm | 165 mm |
| TForce Core HB MV ND 24W E27 865 G3 | 100 mm | 165 mm |

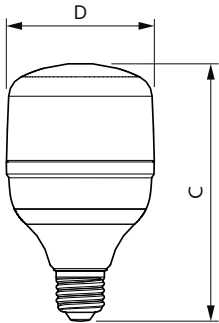
| Product | D | C |
|--------------------------------|--------|--------|
| TForce Core HB 50W E40 865 GN3 | 139 mm | 224 mm |

| Product | D | C |
|--------------------------------|--------|--------|
| TForce Core HB 50W E27 865 GN3 | 139 mm | 221 mm |

| Product | D | C |
|---------------------------------------|--------|--------|
| TForce Core HB MV ND 80W E40 865 GEN3 | 162 mm | 271 mm |

TrueForce Core LED Industrial and Retail (Highbay – HPI/SON/HPL)

Dimensional drawing



| Product | D | C |
|--------------------------------|-------|--------|
| TForce Core HB 25W E27 865 GN3 | 80 mm | 139 mm |

| General Information | |
|---------------------------------------|-------------|
| Switching Cycle | 50,000 |
| Light Technical | |
| Color rendering index (CRI) | 80 |
| LLMF At End Of Nominal Lifetime (Nom) | 70 % |
| Operating and Electrical | |
| Input Frequency | 50 to 60 Hz |
| Starting Time (Nom) | 0.5 s |
| Controls and Dimming | |
| Dimmable | No |
| Mechanical and Housing | |
| Bulb Finish | Frosted |

General Information

| Order Code | Full Product Name | Cap-Base | Nominal lifetime |
|--------------|--------------------------------------|----------|------------------|
| 929002408808 | TForce Core HB 50W E27 865 GN3 | E27 | 15,000 hour(s) |
| 929002409918 | TForce Core HB MV ND 80W E40 865 GN3 | E40 | 25,000 hour(s) |
| 929002406108 | TForce Core HB MV ND 24W E27 840 G3 | E27 | 15,000 hour(s) |
| 929002406208 | TForce Core HB MV ND 24W E27 865 G3 | E27 | 15,000 hour(s) |
| 929002408408 | TForce Core HB 30W E27 865 GN3 | E27 | 15,000 hour(s) |

| Order Code | Full Product Name | Cap-Base | Nominal lifetime |
|--------------|--|----------|------------------|
| 929002406708 | TForce Core HB MV ND 35W E27 840 G3 | E27 | 15,000 hour(s) |
| 929002408608 | TForce Core HB 40W E27 865 GN3 | E27 | 15,000 hour(s) |
| 929004605302 | Corepro LEDBulb ND 4.3Klm 40W865 E27T120 | E27 | 15,000 hour(s) |
| 929002408208 | TForce Core HB 25W E27 865 GN3 | E27 | 15,000 hour(s) |
| 929002408908 | TForce Core HB 50W E40 865 GN3 | E40 | 15,000 hour(s) |

Light Technical

| Order Code | Full Product Name | Beam Angle (Nom) | Correlated Color | | |
|--------------|--------------------------------|------------------|-------------------|------------|---------------|
| | | | Temperature (Nom) | Color Code | Luminous Flux |
| 929002408808 | TForce Core HB 50W E27 865 GN3 | 180 degree(s) | 6500 K | 865 | 5,000 lm |

| Order Code | Full Product Name | Beam Angle (Nom) | Correlated Color | | |
|--------------|--------------------------------------|------------------|-------------------|------------|---------------|
| | | | Temperature (Nom) | Color Code | Luminous Flux |
| 929002409918 | TForce Core HB MV ND 80W E40 865 GN3 | 150 degree(s) | 6500 K | 865 | 9,000 lm |

TrueForce Core LED Industrial and Retail (Highbay – HPI/SO/N/HPL)

| Order Code | Full Product Name | Beam Angle (Nom) | Correlated Color | | |
|--------------|-------------------------------------|------------------|-------------------|------------|---------------|
| | | | Temperature (Nom) | Color Code | Luminous Flux |
| 929002406108 | TForce Core HB MV ND 24W E27 840 G3 | 180 degree(s) | 4000 K | 840 | 3,200 lm |
| 929002406208 | TForce Core HB MV ND 24W E27 865 G3 | 180 degree(s) | 6500 K | 865 | 3,200 lm |
| 929002408408 | TForce Core HB 30W E27 865 GN3 | 180 degree(s) | 6500 K | 865 | 3,200 lm |
| 929002406708 | TForce Core HB MV ND 35W E27 840 G3 | 180 degree(s) | 4000 K | 840 | 5,000 lm |

| Order Code | Full Product Name | Beam Angle (Nom) | Correlated Color | | |
|--------------|--|------------------|-------------------|------------|---------------|
| | | | Temperature (Nom) | Color Code | Luminous Flux |
| 929002408608 | TForce Core HB 40W E27 865 GN3 | 180 degree(s) | 6500 K | 865 | 4,000 lm |
| 929004605302 | Corepro LEDBulb ND 4.3Klm 40W865 E27T120 | 180 degree(s) | 6500 K | 865 | 4,300 lm |
| 929002408208 | TForce Core HB 25W E27 865 GN3 | 180 degree(s) | 6500 K | 865 | 2,700 lm |
| 929002408908 | TForce Core HB 50W E40 865 GN3 | 180 degree(s) | 6500 K | 865 | 5,000 lm |

Operating and Electrical

| Order Code | Full Product Name | Line Frequency | Power |
|--------------|---------------------------------------|----------------|-------------|
| | | | Consumption |
| 929002408808 | TForce Core HB 50W E27 865 GN3 | 50 to 60 Hz | 50 W |
| 929002409918 | TForce Core HB MV ND 80W E40 865 GEN3 | - | 80 W |
| 929002406108 | TForce Core HB MV ND 24W E27 840 G3 | 50 to 60 Hz | 24 W |
| 929002406208 | TForce Core HB MV ND 24W E27 865 G3 | 50 to 60 Hz | 24 W |
| 929002408408 | TForce Core HB 30W E27 865 GN3 | 50 to 60 Hz | 30 W |

| Order Code | Full Product Name | Line Frequency | Power |
|--------------|--|----------------|-------------|
| | | | Consumption |
| 929002406708 | TForce Core HB MV ND 35W E27 840 G3 | 50 to 60 Hz | 35 W |
| 929002408608 | TForce Core HB 40W E27 865 GN3 | 50 to 60 Hz | 40 W |
| 929004605302 | Corepro LEDBulb ND 4.3Klm 40W865 E27T120 | - | 40 W |
| 929002408208 | TForce Core HB 25W E27 865 GN3 | 50 to 60 Hz | 25 W |
| 929002408908 | TForce Core HB 50W E40 865 GN3 | 50 to 60 Hz | 50 W |

Temperature

| Order Code | Full Product Name | T-Case Maximum (Nom) |
|--------------|---------------------------------------|----------------------|
| 929002408808 | TForce Core HB 50W E27 865 GN3 | 78 °C |
| 929002409918 | TForce Core HB MV ND 80W E40 865 GEN3 | 83 °C |
| 929002406108 | TForce Core HB MV ND 24W E27 840 G3 | 70 °C |
| 929002406208 | TForce Core HB MV ND 24W E27 865 G3 | 70 °C |
| 929002408408 | TForce Core HB 30W E27 865 GN3 | 75 °C |

| Order Code | Full Product Name | T-Case Maximum (Nom) |
|--------------|--|----------------------|
| 929002406708 | TForce Core HB MV ND 35W E27 840 G3 | 76 °C |
| 929002408608 | TForce Core HB 40W E27 865 GN3 | 79 °C |
| 929004605302 | Corepro LEDBulb ND 4.3Klm 40W865 E27T120 | 76 °C |
| 929002408208 | TForce Core HB 25W E27 865 GN3 | 90 °C |
| 929002408908 | TForce Core HB 50W E40 865 GN3 | 78 °C |

Mechanical and Housing

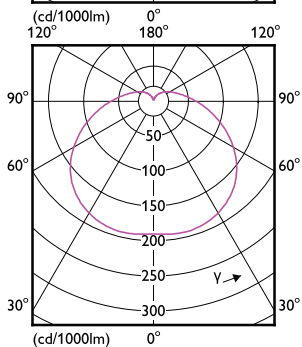
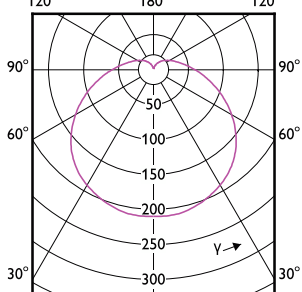
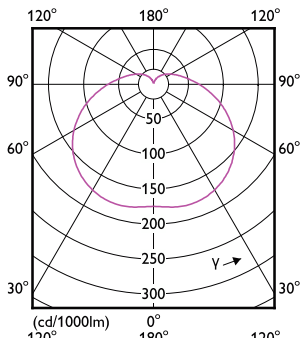
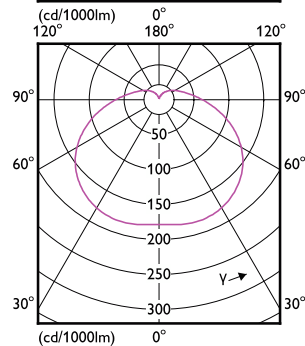
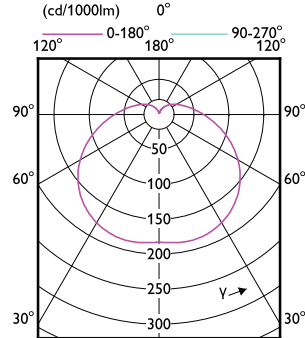
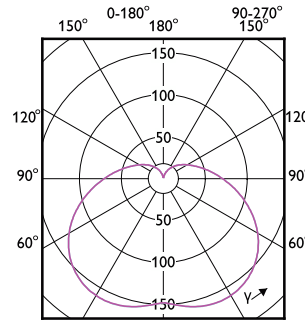
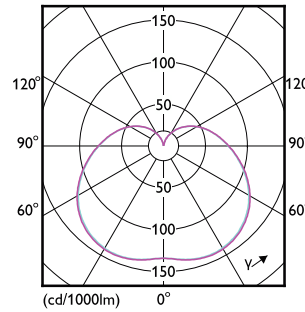
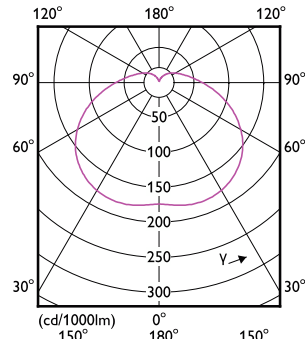
| Order Code | Full Product Name | Bulb Shape |
|--------------|---------------------------------------|--------------|
| 929002408808 | TForce Core HB 50W E27 865 GN3 | T-shape T140 |
| 929002409918 | TForce Core HB MV ND 80W E40 865 GEN3 | T-shape T160 |
| 929002406108 | TForce Core HB MV ND 24W E27 840 G3 | T-shape |
| 929002406208 | TForce Core HB MV ND 24W E27 865 G3 | T-shape |
| 929002408408 | TForce Core HB 30W E27 865 GN3 | T-shape T100 |

| Order Code | Full Product Name | Bulb Shape |
|--------------|--|--------------|
| 929002406708 | TForce Core HB MV ND 35W E27 840 G3 | T-shape |
| 929002408608 | TForce Core HB 40W E27 865 GN3 | T-shape T120 |
| 929004605302 | Corepro LEDBulb ND 4.3Klm 40W865 E27T120 | T-shape T120 |
| 929002408208 | TForce Core HB 25W E27 865 GN3 | T-shape T80 |
| 929002408908 | TForce Core HB 50W E40 865 GN3 | T-shape T140 |

Approval and Application

TrueForce Core LED Industrial and Retail (Highbay – HPI/SON/HPL)

| Order Code | Full Product Name | Ambient temperature range | Energy Consumption kWh/1000 h |
|--------------|---|---------------------------|-------------------------------|
| 929002408808 | TForce Core HB 50W E27 865 GN3 | -20 °C to 45 °C | 50 kWh |
| 929002409918 | TForce Core HB MV ND 80W E40 865 GEN3 | -20 to +45 °C | 80 kWh |
| 929002406108 | TForce Core HB MV ND 24W E27 840 G3 | -20 °C to 45 °C | 24 kWh |
| 929002406208 | TForce Core HB MV ND 24W E27 865 G3 | -20 °C to 45 °C | 24 kWh |
| 929002408408 | TForce Core HB 30W E27 865 GN3 | -20 °C to 45 °C | 30 kWh |
| 929002406708 | TForce Core HB MV ND 35W E27 840 G3 | -20 °C to 45 °C | 35 kWh |
| 929002408608 | TForce Core HB 40W E27 865 GN3 | -20 °C to 45 °C | 40 kWh |
| 929004605302 | Corepro LEDBulb ND 4.3Klm 40W865 E27T120 | -20 to +45 °C | 40 kWh |
| 929002408208 | TForce Core HB 25W E27 865 GN3 | -20 °C to 45 °C | 25 kWh |
| 929002408908 | TForce Core HB 50W E40 865 GN3 | -20 °C to 45 °C | 50 kWh |



TrueForce Core LED Industrial and Retail (Highbay – HPI/SON/HPL)

