



The best LED replacement for HID and SON road lamps with MASTER - LED HID SON-T

MASTER - LED HID SON-T

Philips MASTER - LED HID SON-T lamps are an easy LED solution with a short payback period to replace High-Intensity Discharge (HID) and High-Pressure Sodium (SON) lamps. MASTER - LED HID SON-T solutions bring the energy efficiency and long lifetime benefits of LED to HID replacement, providing instant savings for a low initial investment. With the right lamp size and light distribution, you can easily retrofit MASTER - LED HID SON-T lamps into existing SON and SON-T systems, enhancing the lighting quality with LED without changing the luminaire's ballast (for IF replacements) or reflector.

Benefits

- Cost-saving lamps with short payback time
- Low initial investment
- Easy way to enhance lighting quality

MASTER - LED HID SON-T

Features

- High Energy efficient lamps
- Long lifetime - 70,000 hrs
- Surge protection 6KV
- Pleasant white light with CRI 70
- Direct lamp replacement solution without changing the fixture or gear for IF solution
- Right size and light distribution for retrofit
- IP40 product (IP rated sockets required for outdoor application)

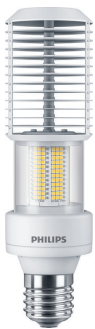
Application

- Road and Street
- Tunnel
- Parking Garages

Warnings and Safety

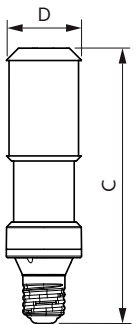
- Please refer to the installation guide or consult a Philips Lighting representative for the wiring diagram and instructions.

Versions



LEDTrueForce E40 55W

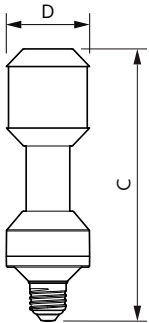
Dimensional drawing



Product	D	C
MAS LED SON-T EM 10.8Klm 65W 727 E40	71 mm	262 mm
MAS LED SON-T EM 12Klm 65W 740 E40	71 mm	262 mm
MAS LED SON-T EM 8.1Klm 50W 727 E40	71 mm	262 mm
MAS LED SON-T EM 9Klm 50W 740 E40	71 mm	262 mm
MAS LED SON-T IF 10.8Klm 65W 727 E40	71 mm	262 mm
MAS LED SON-T IF 8.1Klm 50W 727 E40	71 mm	262 mm

MASTER - LED HID SON-T

Dimensional drawing



Product	D	C
MAS LED SON-T EM 3.6Klm 23W 727 E27	61 mm	200 mm
MAS LED SON-T EM 4Klm 23W 740 E27	61 mm	200 mm
MAS LED SON-T EM 5.4Klm 34W 727 E27	61 mm	200 mm
MAS LED SON-T EM 6Klm 34W 740 E27	61 mm	200 mm

General Information	
Switching Cycle	50,000
Nominal lifetime	70,000 hour(s)
Light Technical	
Color rendering index (CRI)	70
LLMF At End Of Nominal Lifetime (Nom)	70 %
Operating and Electrical	
Starting Time (Nom)	0.5 s
Controls and Dimming	
Dimmable	No
Mechanical and Housing	
Bulb Finish	Clear
Bulb Shape	Tubular
Approval and Application	
Ambient temperature range	-30 to +45 °C

General Information

Order Code	Full Product Name	Cap-Base
44895700	MAS LED SON-T IF 8.1Klm 50W 727 E40	E40
44915200	MAS LED SON-T EM 8.1Klm 50W 727 E40	E40
44917600	MAS LED SON-T EM 9Klm 50W 740 E40	E40
44903900	MAS LED SON-T EM 3.6Klm 23W 727 E27	E27
44905300	MAS LED SON-T EM 4Klm 23W 740 E27	E27
44909100	MAS LED SON-T EM 5.4Klm 34W 727 E27	E27
44911400	MAS LED SON-T EM 6Klm 34W 740 E27	E27
44899500	MAS LED SON-T IF 10.8Klm 65W 727 E40	E40
44921300	MAS LED SON-T EM 10.8Klm 65W 727 E40	E40
44923700	MAS LED SON-T EM 12Klm 65W 740 E40	E40

Light Technical

Order Code	Full Product Name	Correlated Color		
		Temperature (Nom)	Color Code	Luminous Flux
44895700	MAS LED SON-T IF 8.1Klm 50W 727 E40	2700 K	727	8,100 lm
44915200	MAS LED SON-T EM 8.1Klm 50W 727 E40	2700 K	727	8,100 lm
44917600	MAS LED SON-T EM 9Klm 50W 740 E40	4000 K	740	9,000 lm
44903900	MAS LED SON-T EM 3.6Klm 23W 727 E27	2700 K	727	3,600 lm
44905300	MAS LED SON-T EM 4Klm 23W 740 E27	4000 K	740	4,000 lm

Order Code	Full Product Name	Correlated Color		
		Temperature (Nom)	Color Code	Luminous Flux
44909100	MAS LED SON-T EM 5.4Klm 34W 727 E27	2700 K	727	5,400 lm
44911400	MAS LED SON-T EM 6Klm 34W 740 E27	4000 K	740	6,000 lm
44899500	MAS LED SON-T IF 10.8Klm 65W 727 E40	2700 K	727	10,800 lm
44921300	MAS LED SON-T EM 10.8Klm 65W 727 E40	2700 K	727	10,800 lm
44923700	MAS LED SON-T EM 12Klm 65W 740 E40	4000 K	740	12,000 lm

Operating and Electrical

MASTER - LED HID SON-T

Order Code	Full Product Name	Input		Power
		Frequency	Line Frequency	Consumption
44895700	MAS LED SON-T IF 8.1Klm 50W 727 E40	50 Hz	50 Hz	50 W
44915200	MAS LED SON-T EM 8.1Klm 50W 727 E40	50 to 60 Hz	50 to 60 Hz	50 W
44917600	MAS LED SON-T EM 9Klm 50W 740 E40	50 to 60 Hz	50 to 60 Hz	50 W
44903900	MAS LED SON-T EM 3.6Klm 23W 727 E27	50 to 60 Hz	50 to 60 Hz	23 W
44905300	MAS LED SON-T EM 4Klm 23W 740 E27	50 to 60 Hz	50 to 60 Hz	23 W

Order Code	Full Product Name	Input		Power
		Frequency	Line Frequency	Consumption
44909100	MAS LED SON-T EM 5.4Klm 34W 727 E27	50 to 60 Hz	50 to 60 Hz	34 W
44911400	MAS LED SON-T EM 6Klm 34W 740 E27	50 to 60 Hz	50 to 60 Hz	34 W
44899500	MAS LED SON-T IF 10.8Klm 65W 727 E40	50 Hz	50 Hz	65 W
44921300	MAS LED SON-T EM 10.8Klm 65W 727 E40	50 to 60 Hz	50 to 60 Hz	65 W
44923700	MAS LED SON-T EM 12Klm 65W 740 E40	50 to 60 Hz	50 to 60 Hz	65 W

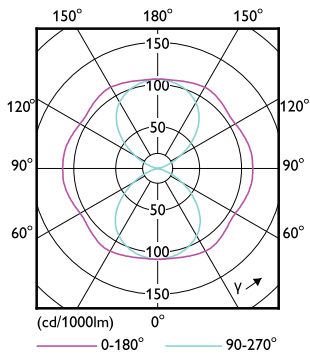
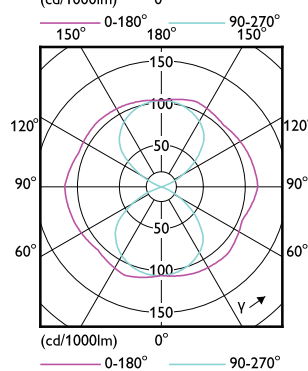
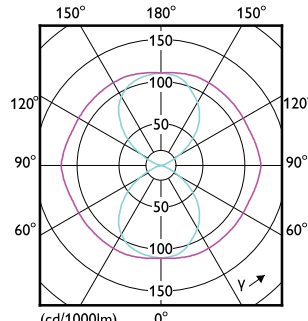
Temperature

Order Code	Full Product Name	T-Case Maximum (Nom)
44895700	MAS LED SON-T IF 8.1Klm 50W 727 E40	52 °C
44915200	MAS LED SON-T EM 8.1Klm 50W 727 E40	52 °C
44917600	MAS LED SON-T EM 9Klm 50W 740 E40	52 °C
44903900	MAS LED SON-T EM 3.6Klm 23W 727 E27	46 °C
44905300	MAS LED SON-T EM 4Klm 23W 740 E27	46 °C

Order Code	Full Product Name	T-Case Maximum (Nom)
44909100	MAS LED SON-T EM 5.4Klm 34W 727 E27	59 °C
44911400	MAS LED SON-T EM 6Klm 34W 740 E27	59 °C
44899500	MAS LED SON-T IF 10.8Klm 65W 727 E40	55 °C
44921300	MAS LED SON-T EM 10.8Klm 65W 727 E40	55 °C
44923700	MAS LED SON-T EM 12Klm 65W 740 E40	55 °C

Approval and Application

Order Code	Full Product Name	Energy Consumption kWh/1000 h
44895700	MAS LED SON-T IF 8.1Klm 50W 727 E40	50 kWh
44915200	MAS LED SON-T EM 8.1Klm 50W 727 E40	50 kWh
44917600	MAS LED SON-T EM 9Klm 50W 740 E40	50 kWh
44903900	MAS LED SON-T EM 3.6Klm 23W 727 E27	23 kWh
44905300	MAS LED SON-T EM 4Klm 23W 740 E27	23 kWh
44909100	MAS LED SON-T EM 5.4Klm 34W 727 E27	34 kWh
44911400	MAS LED SON-T EM 6Klm 34W 740 E27	34 kWh
44899500	MAS LED SON-T IF 10.8Klm 65W 727 E40	65 kWh
44921300	MAS LED SON-T EM 10.8Klm 65W 727 E40	65 kWh
44923700	MAS LED SON-T EM 12Klm 65W 740 E40	65 kWh



MASTER - LED HID SON-T

