



Strong performance spot light for retrofit MR16 halogen spots

MASTER LED spot LV

Delivering intense accent beam, MASTER LEDspot LV is an ideal retrofit solution for spot lighting. MASTER LEDspot LV is designed to replace halogen or incandescent spots. It realizes natural colors, enables cozy and comfortable ambience for residential, hospitality and emphasizes the beauty of merchandise in retail. New smaller housing provides perfect fitting with majority of luminaires in a market with a MR16 GU 5.3 holder. It not only employs Philips' patented solution to guarantee the broadest possible compatibility with standard 12V halogen electronic transformers, it also delivers high beam intensity which is equivalent to halogen MR16 spots. The dimming function enables to create the desired atmosphere and it works with broad selection of dimmers. Its high SDCM ensure stricter color consistency, that is maintained over product life. MASTER LEDspot LV delivers huge energy savings and minimizes maintenance cost without any compromise on light quality and lifetime, enabling residential and business owners to achieve a return on their investment within short period time.

Benefits

- High intensity of beam for accent lighting in professional applications
- Strong brightness maintained over time
- More natural colors realised for cozy ambience for hospitality and better merchandise display in retail application

MASTER LED spot LV

Features

- High intensity of beam equivalent to halogen spots
- Better color realisation with high CRI value, and strong color consistency over time
- Clearly defined beam spread for accent lighting
- Compatible with an extensive range of transformers and smooth dimming for dimmable products
- High lumen maintenance with long lifetime up to 40,000 hours

Application

- Home: Living room, bed room, hall way
- Hospitality: Hotel guest room, corridors, lobby, reception area, restaurant, bars, cafes
- Retail: Exhibitions, display cabinets, shops, dressing room, check out area

Versions



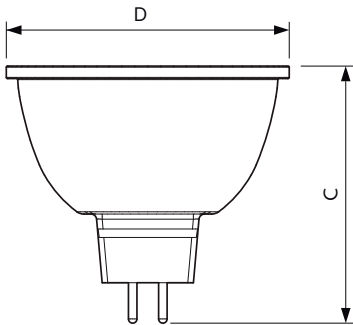
LEDspot MAS 50W GU5.3 MR16 827 24D



50W GU5-3 MR16

MASTER LED spot LV

Dimensional drawing



Product	D	C
7MR16/LED/827/F25/DIM 12V 10/1FB	50 mm	46.5 mm
7MR16/LED/827/F35/DIM 12V 10/1FB	50 mm	46.5 mm
7MR16/LED/830/F25/DIM 12V 10/1FB	50 mm	46.5 mm
7MR16/LED/830/F35/DIM 12V 10/1FB	50 mm	46.5 mm
8MR16/LED/827/F25/DIM 12V 10/1FB	50 mm	46.5 mm
8MR16/LED/827/F35/DIM 12V 10/1FB	50 mm	46.5 mm
8MR16/LED/830/F25/DIM 12V 10/1FB	50 mm	46.5 mm
8MR16/LED/830/F35/DIM 12V 10/1FB	50 mm	46.5 mm
8MR16/LED/840/F35/DIM 12V 10/1FB	50 mm	46.5 mm
MAS LEDspotLV D 7.5-50W 927 MR16 24D	50 mm	45.5 mm
MAS LEDspotLV D 7.5-50W 927 MR16 36D	50 mm	45.5 mm
MAS LEDspotLV D 7.5-50W 930 MR16 36D	50 mm	45.5 mm
MASTER LED 6.5-50W 927 MR16 10D Dim	50 mm	46.5 mm
MASTER LED 6.5-50W 927 MR16 24D CN	50.5 mm	46.5 mm
MASTER LED 6.5-50W 927 MR16 24D Dim	50 mm	
MASTER LED 6.5-50W 927 MR16 24D Dim CN	50 mm	
MASTER LED 6.5-50W 927 MR16 36D CN	50.5 mm	46.5 mm
MASTER LED 6.5-50W 927 MR16 36D Dim	50 mm	
MASTER LED 6.5-50W 927 MR16 36D Dim CN	50 mm	
MASTER LED 6.5-50W 927 MR16 60D Dim	50 mm	46.5 mm
MASTER LED 6.5-50W 930 MR16 10D Dim	50 mm	46.5 mm
MASTER LED 6.5-50W 930 MR16 10D Dim CN	50 mm	46.5 mm
MASTER LED 6.5-50W 930 MR16 24D CN	50.5 mm	46.5 mm
MASTER LED 6.5-50W 930 MR16 24D Dim	50 mm	46.5 mm
MASTER LED 6.5-50W 930 MR16 24D Dim CN	50 mm	46.5 mm
MASTER LED 6.5-50W 930 MR16 24D ND	50.5 mm	46.5 mm
MASTER LED 6.5-50W 930 MR16 36D CN	50.5 mm	46.5 mm
MASTER LED 6.5-50W 930 MR16 36D Dim	50 mm	46.5 mm
MASTER LED 6.5-50W 930 MR16 36D Dim CN	50 mm	46.5 mm
MASTER LED 6.5-50W 930 MR16 36D ND	50.5 mm	46.5 mm
MASTER LED 6.5-50W 930 MR16 60D Dim	50 mm	46.5 mm
MASTER LED 6.5-50W 940 MR16 24D Dim	50 mm	46.5 mm
MASTER LED 6.5-50W 940 MR16 24D Dim CN	50 mm	46.5 mm
MASTER LED 6.5-50W 940 MR16 36D Dim	50 mm	46.5 mm
MASTER LED 6.5-50W 940 MR16 36D Dim CN	50 mm	46.5 mm
MASTER LED 6.5-50W 940 MR16 60D Dim	50 mm	46.5 mm
MASTER LED 7.5-50W+ 827 MR16 24D Dim CN	50 mm	46.5 mm
MASTER LED 7.5-50W+ 827 MR16 36D Dim	50 mm	46.5 mm
MASTER LED 7.5-50W+ 827 MR16 36D Dim CN	50 mm	46.5 mm
MASTER LED 7.5-50W+ 830 MR16 24D Dim CN	50 mm	46.5 mm
MASTER LED 7.5-50W+ 830 MR16 36D Dim	50 mm	46.5 mm
MASTER LED 7.5-50W+ 830 MR16 36D Dim CN	50 mm	46.5 mm
MASTER LED 8-50W+ 827 MR16 36D Dim	50 mm	46.5 mm

MASTER LED spot LV

General Information	
Cap-Base	GU5.3
Switching Cycle	50,000
Light Technical	
LLMF At End Of Nominal Lifetime (Nom)	70 %
Operating and Electrical	
Input Frequency	- Hz
Line Frequency	- Hz
Starting Time (Nom)	0.5 s
Mechanical and Housing	
Bulb Shape	MR16

General Information

Order Code	Full Product Name	Nominal lifetime	Order Code	Full Product Name	Nominal lifetime
929001881910	MASTER LED 6.5-50W 927 MR16 24D CN	40,000 hour(s)	929003072704	8MR16/LED/827/F35/DIM 12V 10/1FB	25,000 hour(s)
929001882008	MASTER LED 6.5-50W 930 MR16 24D ND	40,000 hour(s)	929003072708	MASTER LED 7.5-50W+ 827 MR16 36D Dim	40,000 hour(s)
929001882010	MASTER LED 6.5-50W 930 MR16 24D CN	40,000 hour(s)	929003072710	MASTER LED 7.5-50W+ 827 MR16 36D Dim CN	40,000 hour(s)
929002491902	MAS LEDspotLV D 7.5-50W 927 MR16 24D	40,000 hour(s)	929003072717	MASTER LED 8-50W+ 827 MR16 36D Dim	40,000 hour(s)
929002492202	MAS LEDspotLV D 7.5-50W 927 MR16 36D	40,000 hour(s)	929003072804	8MR16/LED/830/F35/DIM 12V 10/1FB	25,000 hour(s)
929002492302	MAS LEDspotLV D 7.5-50W 930 MR16 36D	40,000 hour(s)	929003072808	MASTER LED 7.5-50W+ 830 MR16 36D Dim	40,000 hour(s)
929003071908	MASTER LED 6.5-50W 927 MR16 24D Dim	40,000 hour(s)	929003072810	MASTER LED 7.5-50W+ 830 MR16 36D Dim CN	40,000 hour(s)
929003071910	MASTER LED 6.5-50W 927 MR16 24D Dim CN	40,000 hour(s)	929003072904	8MR16/LED/840/F35/DIM 12V 10/1FB	25,000 hour(s)
929003072008	MASTER LED 6.5-50W 930 MR16 24D Dim	40,000 hour(s)	929003076204	7MR16/LED/827/F25/DIM 12V 10/1FB	25,000 hour(s)
929003072010	MASTER LED 6.5-50W 930 MR16 24D Dim CN	40,000 hour(s)	929003076304	7MR16/LED/830/F25/DIM 12V 10/1FB	25,000 hour(s)
929003072108	MASTER LED 6.5-50W 940 MR16 24D Dim	40,000 hour(s)	929003076404	7MR16/LED/827/F35/DIM 12V 10/1FB	25,000 hour(s)
929003072110	MASTER LED 6.5-50W 940 MR16 24D Dim CN	40,000 hour(s)	929003076504	7MR16/LED/830/F35/DIM 12V 10/1FB	25,000 hour(s)
929003072208	MASTER LED 6.5-50W 927 MR16 36D Dim	40,000 hour(s)	929003071608	MASTER LED 6.5-50W 927 MR16 10D Dim	40,000 hour(s)
929003072210	MASTER LED 6.5-50W 927 MR16 36D Dim CN	40,000 hour(s)	929003071708	MASTER LED 6.5-50W 930 MR16 10D Dim	40,000 hour(s)
929003072308	MASTER LED 6.5-50W 930 MR16 36D Dim	40,000 hour(s)	929003071710	MASTER LED 6.5-50W 930 MR16 10D Dim CN	40,000 hour(s)
929003072310	MASTER LED 6.5-50W 930 MR16 36D Dim CN	40,000 hour(s)	929001882210	MASTER LED 6.5-50W 927 MR16 36D CN	40,000 hour(s)
929003072408	MASTER LED 6.5-50W 940 MR16 36D Dim	40,000 hour(s)	929001882308	MASTER LED 6.5-50W 930 MR16 36D ND	40,000 hour(s)
929003072410	MASTER LED 6.5-50W 940 MR16 36D Dim CN	40,000 hour(s)	929001882310	MASTER LED 6.5-50W 930 MR16 36D CN	40,000 hour(s)
929003072504	8MR16/LED/827/F25/DIM 12V 10/1FB	25,000 hour(s)	929003075908	MASTER LED 6.5-50W 927 MR16 60D Dim	40,000 hour(s)
929003072510	MASTER LED 7.5-50W+ 827 MR16 24D Dim CN	40,000 hour(s)	929003076008	MASTER LED 6.5-50W 930 MR16 60D Dim	40,000 hour(s)
929003072604	8MR16/LED/830/F25/DIM 12V 10/1FB	25,000 hour(s)	929003076108	MASTER LED 6.5-50W 940 MR16 60D Dim	40,000 hour(s)
929003072610	MASTER LED 7.5-50W+ 830 MR16 24D Dim CN	40,000 hour(s)			

Light Technical

Order Code	Full Product Name	Beam Angle (Nom)	Correlated Color		Color rendering		Luminous Intensity	
			Temperature (Nom)	index (CRI)	Color Code	Luminous Flux (Nom)		
929001881910	MASTER LED 6.5-50W 927 MR16 24D CN	24 degree(s)	2700 K	90	927	470 lm	2,300 cd	
929001882008	MASTER LED 6.5-50W 930 MR16 24D ND	24 degree(s)	3000 K	90	930	470 lm	2,300 cd	
929001882010	MASTER LED 6.5-50W 930 MR16 24D CN	24 degree(s)	3000 K	90	930	470 lm	2,300 cd	
929002491902	MAS LEDspotLV D 7.5-50W 927 MR16 24D	24 degree(s)	2700 K	90	927	621 lm	3,900 cd	
929002492202	MAS LEDspotLV D 7.5-50W 927 MR16 36D	36 degree(s)	2700 K	90	927	621 lm	1,850 cd	
929002492302	MAS LEDspotLV D 7.5-50W 930 MR16 36D	36 degree(s)	3000 K	90	930	621 lm	2,000 cd	

MASTER LED spot LV

Order Code	Full Product Name	Beam Angle (Nom)	Correlated Color		Color rendering		Luminous Intensity	
			Temperature (Nom)		index (CRI)	Color Code	Luminous Flux	(Nom)
929003071908	MASTER LED 6.5-50W 927 MR16 24D Dim	24 degree(s)	2700 K		90	927	500 lm	2,800 cd
929003071910	MASTER LED 6.5-50W 927 MR16 24D Dim CN	24 degree(s)	2700 K		90	927	500 lm	2,800 cd
929003072008	MASTER LED 6.5-50W 930 MR16 24D Dim	24 degree(s)	3000 K		90	930	500 lm	2,800 cd
929003072010	MASTER LED 6.5-50W 930 MR16 24D Dim CN	24 degree(s)	3000 K		90	930	500 lm	2,800 cd
929003072108	MASTER LED 6.5-50W 940 MR16 24D Dim	24 degree(s)	4000 K		90	940	530 lm	3,400 cd
929003072110	MASTER LED 6.5-50W 940 MR16 24D Dim CN	24 degree(s)	4000 K		90	940	530 lm	3,400 cd
929003072208	MASTER LED 6.5-50W 927 MR16 36D Dim	36 degree(s)	2700 K		90	927	500 lm	1,400 cd
929003072210	MASTER LED 6.5-50W 927 MR16 36D Dim CN	36 degree(s)	2700 K		90	927	500 lm	1,400 cd
929003072308	MASTER LED 6.5-50W 930 MR16 36D Dim	36 degree(s)	3000 K		90	930	500 lm	1,600 cd
929003072310	MASTER LED 6.5-50W 930 MR16 36D Dim CN	36 degree(s)	3000 K		90	930	500 lm	1,600 cd
929003072408	MASTER LED 6.5-50W 940 MR16 36D Dim	36 degree(s)	4000 K		90	940	530 lm	1,600 cd
929003072410	MASTER LED 6.5-50W 940 MR16 36D Dim CN	36 degree(s)	4000 K		90	940	530 lm	1,600 cd
929003072504	8MR16/LED/827/F25/DIM 12V 10/1FB	25 degree(s)	2700 K		80	827	600 lm	3,100 cd
929003072510	MASTER LED 7.5-50W+ 827 MR16 24D Dim CN	24 degree(s)	2700 K		80	827	660 lm	3,100 cd
929003072604	8MR16/LED/830/F25/DIM 12V 10/1FB	25 degree(s)	3000 K		80	830	620 lm	3,250 cd
929003072610	MASTER LED 7.5-50W+ 830 MR16 24D Dim CN	24 degree(s)	3000 K		80	830	660 lm	3,250 cd
929003072704	8MR16/LED/827/F35/DIM 12V 10/1FB	35 degree(s)	2700 K		80	827	600 lm	1,700 cd
929003072708	MASTER LED 7.5-50W+ 827 MR16 36D Dim	36 degree(s)	2700 K		80	827	660 lm	1,700 cd
929003072710	MASTER LED 7.5-50W+ 827 MR16 36D Dim CN	36 degree(s)	2700 K		80	827	660 lm	1,700 cd
929003072717	MASTER LED 8-50W+ 827 MR16 36D Dim	36 degree(s)	2700 K		80	827	660 lm	1,700 cd
929003072804	8MR16/LED/830/F35/DIM 12V 10/1FB	35 degree(s)	3000 K		80	830	620 lm	1,700 cd
929003072808	MASTER LED 7.5-50W+ 830 MR16 36D Dim	36 degree(s)	3000 K		80	830	660 lm	1,700 cd
929003072810	MASTER LED 7.5-50W+ 830 MR16 36D Dim CN	36 degree(s)	3000 K		80	830	660 lm	1,700 cd
929003072904	8MR16/LED/840/F35/DIM 12V 10/1FB	35 degree(s)	4000 K		80	840	660 lm	1,800 cd
929003076204	7MR16/LED/827/F25/DIM 12V 10/1FB	25 degree(s)	2700 K		80	827	515 lm	2,400 cd
929003076304	7MR16/LED/830/F25/DIM 12V 10/1FB	25 degree(s)	3000 K		80	830	515 lm	2,500 cd
929003076404	7MR16/LED/827/F35/DIM 12V 10/1FB	35 degree(s)	2700 K		80	827	515 lm	1,350 cd
929003076504	7MR16/LED/830/F35/DIM 12V 10/1FB	35 degree(s)	3000 K		80	830	515 lm	1,350 cd
929003071608	MASTER LED 6.5-50W 927 MR16 10D Dim	10 degree(s)	2700 K		90	927	500 lm	5,300 cd
929003071708	MASTER LED 6.5-50W 930 MR16 10D Dim	10 degree(s)	3000 K		90	930	500 lm	5,300 cd
929003071710	MASTER LED 6.5-50W 930 MR16 10D Dim CN	10 degree(s)	3000 K		90	930	500 lm	5,300 cd
929001882210	MASTER LED 6.5-50W 927 MR16 36D CN	36 degree(s)	2700 K		90	927	470 lm	1,400 cd
929001882308	MASTER LED 6.5-50W 930 MR16 36D ND	36 degree(s)	3000 K		90	930	470 lm	1,400 cd
929001882310	MASTER LED 6.5-50W 930 MR16 36D CN	36 degree(s)	3000 K		90	930	470 lm	1,400 cd
929003075908	MASTER LED 6.5-50W 927 MR16 60D Dim	60 degree(s)	2700 K		90	927	500 lm	500 cd
929003076008	MASTER LED 6.5-50W 930 MR16 60D Dim	60 degree(s)	3000 K		90	930	500 lm	500 cd
929003076108	MASTER LED 6.5-50W 940 MR16 60D Dim	60 degree(s)	4000 K		90	940	530 lm	550 cd

Operating and Electrical

Order Code	Full Product Name	Power	Wattage	Order Code	Full Product Name	Power	Wattage
		Consumption	Equivalent			Consumption	Equivalent
929001881910	MASTER LED 6.5-50W 927 MR16 24D CN	6.5 W	50 W	929002492202	MAS LEDspotLV D 7.5-50W 927 MR16 36D	7.5 W	50 W
929001882008	MASTER LED 6.5-50W 930 MR16 24D ND	6.5 W	50 W	929002492302	MAS LEDspotLV D 7.5-50W 930 MR16 36D	7.5 W	50 W
929001882010	MASTER LED 6.5-50W 930 MR16 24D CN	6.5 W	50 W	929003071908	MASTER LED 6.5-50W 927 MR16 24D Dim	6.5 W	50 W
929002491902	MAS LEDspotLV D 7.5-50W 927 MR16 24D	7.5 W	50 W	929003071910	MASTER LED 6.5-50W 927 MR16 24D Dim CN	6.5 W	50 W

MASTER LED spot LV

Order Code	Full Product Name	Power	Wattage
		Consumption	Equivalent
929003072008	MASTER LED 6.5-50W 930 MR16 24D Dim	6.5 W	50 W
929003072010	MASTER LED 6.5-50W 930 MR16 24D Dim CN	6.5 W	50 W
929003072108	MASTER LED 6.5-50W 940 MR16 24D Dim	6.5 W	50 W
929003072110	MASTER LED 6.5-50W 940 MR16 24D Dim CN	6.5 W	50 W
929003072208	MASTER LED 6.5-50W 927 MR16 36D Dim	6.5 W	50 W
929003072210	MASTER LED 6.5-50W 927 MR16 36D Dim CN	6.5 W	50 W
929003072308	MASTER LED 6.5-50W 930 MR16 36D Dim	6.5 W	50 W
929003072310	MASTER LED 6.5-50W 930 MR16 36D Dim CN	6.5 W	50 W
929003072408	MASTER LED 6.5-50W 940 MR16 36D Dim	6.5 W	50 W
929003072410	MASTER LED 6.5-50W 940 MR16 36D Dim CN	6.5 W	50 W
929003072504	8MR16/LED/827/F25/DIM 12V 10/1FB	8 W	75 W
929003072510	MASTER LED 7.5-50W+ 827 MR16 24D Dim CN	7.5 W	50 W
929003072604	8MR16/LED/830/F25/DIM 12V 10/1FB	8 W	75 W
929003072610	MASTER LED 7.5-50W+ 830 MR16 24D Dim CN	7.5 W	50 W
929003072704	8MR16/LED/827/F35/DIM 12V 10/1FB	8 W	75 W
929003072708	MASTER LED 7.5-50W+ 827 MR16 36D Dim	7.5 W	50 W
929003072710	MASTER LED 7.5-50W+ 827 MR16 36D Dim CN	7.5 W	50 W
929003072717	MASTER LED 8-50W+ 827 MR16 36D Dim	8 W	50 W

Order Code	Full Product Name	Power	Wattage
		Consumption	Equivalent
929003072804	8MR16/LED/830/F35/DIM 12V 10/1FB	8 W	75 W
929003072808	MASTER LED 7.5-50W+ 830 MR16 36D Dim	7.5 W	50 W
929003072810	MASTER LED 7.5-50W+ 830 MR16 36D Dim CN	7.5 W	50 W
929003072904	8MR16/LED/840/F35/DIM 12V 10/1FB	8 W	75 W
929003076204	7MR16/LED/827/F25/DIM 12V 10/1FB	7 W	50 W
929003076304	7MR16/LED/830/F25/DIM 12V 10/1FB	7 W	50 W
929003076404	7MR16/LED/827/F35/DIM 12V 10/1FB	7 W	50 W
929003076504	7MR16/LED/830/F35/DIM 12V 10/1FB	7 W	50 W
929003071608	MASTER LED 6.5-50W 927 MR16 10D Dim	6.5 W	50 W
929003071708	MASTER LED 6.5-50W 930 MR16 10D Dim	6.5 W	50 W
929003071710	MASTER LED 6.5-50W 930 MR16 10D Dim CN	6.5 W	50 W
929001882210	MASTER LED 6.5-50W 927 MR16 36D CN	6.5 W	50 W
929001882308	MASTER LED 6.5-50W 930 MR16 36D ND	6.5 W	50 W
929001882310	MASTER LED 6.5-50W 930 MR16 36D CN	6.5 W	50 W
929003075908	MASTER LED 6.5-50W 927 MR16 60D Dim	6.5 W	50 W
929003076008	MASTER LED 6.5-50W 930 MR16 60D Dim	6.5 W	50 W
929003076108	MASTER LED 6.5-50W 940 MR16 60D Dim	6.5 W	50 W

Temperature

Order Code	Full Product Name	T-Case Maximum (Nom)
929001881910	MASTER LED 6.5-50W 927 MR16 24D CN	90 °C
929001882008	MASTER LED 6.5-50W 930 MR16 24D ND	90 °C
929001882010	MASTER LED 6.5-50W 930 MR16 24D CN	90 °C
929002491902	MAS LEDspotLV D 7.5-50W 927 MR16 24D	90 °C
929002492202	MAS LEDspotLV D 7.5-50W 927 MR16 36D	90 °C
929002492302	MAS LEDspotLV D 7.5-50W 930 MR16 36D	90 °C
929003071908	MASTER LED 6.5-50W 927 MR16 24D Dim	90 °C
929003071910	MASTER LED 6.5-50W 927 MR16 24D Dim CN	90 °C
929003072008	MASTER LED 6.5-50W 930 MR16 24D Dim	90 °C
929003072010	MASTER LED 6.5-50W 930 MR16 24D Dim CN	90 °C

Order Code	Full Product Name	T-Case Maximum (Nom)
929003072108	MASTER LED 6.5-50W 940 MR16 24D Dim	90 °C
929003072110	MASTER LED 6.5-50W 940 MR16 24D Dim CN	90 °C
929003072208	MASTER LED 6.5-50W 927 MR16 36D Dim	90 °C
929003072210	MASTER LED 6.5-50W 927 MR16 36D Dim CN	90 °C
929003072308	MASTER LED 6.5-50W 930 MR16 36D Dim	90 °C
929003072310	MASTER LED 6.5-50W 930 MR16 36D Dim CN	90 °C
929003072408	MASTER LED 6.5-50W 940 MR16 36D Dim	90 °C
929003072410	MASTER LED 6.5-50W 940 MR16 36D Dim CN	90 °C
929003072504	8MR16/LED/827/F25/DIM 12V 10/1FB	93 °C
929003072510	MASTER LED 7.5-50W+ 827 MR16 24D Dim CN	93 °C

MASTER LED spot LV

Order Code	Full Product Name	T-Case Maximum (Nom)
929003072604	8MR16/LED/830/F25/DIM 12V 10/1FB	93 °C
929003072610	MASTER LED 7.5-50W+ 830 MR16 24D Dim CN	93 °C
929003072704	8MR16/LED/827/F35/DIM 12V 10/1FB	93 °C
929003072708	MASTER LED 7.5-50W+ 827 MR16 36D Dim	93 °C
929003072710	MASTER LED 7.5-50W+ 827 MR16 36D Dim CN	93 °C
929003072717	MASTER LED 8-50W+ 827 MR16 36D Dim	93 °C
929003072804	8MR16/LED/830/F35/DIM 12V 10/1FB	93 °C
929003072808	MASTER LED 7.5-50W+ 830 MR16 36D Dim	93 °C
929003072810	MASTER LED 7.5-50W+ 830 MR16 36D Dim CN	93 °C
929003072904	8MR16/LED/840/F35/DIM 12V 10/1FB	93 °C
929003076204	7MR16/LED/827/F25/DIM 12V 10/1FB	90 °C
929003076304	7MR16/LED/830/F25/DIM 12V 10/1FB	90 °C

Order Code	Full Product Name	T-Case Maximum (Nom)
929003076404	7MR16/LED/827/F35/DIM 12V 10/1FB	90 °C
929003076504	7MR16/LED/830/F35/DIM 12V 10/1FB	90 °C
929003071608	MASTER LED 6.5-50W 927 MR16 10D Dim	90 °C
929003071708	MASTER LED 6.5-50W 930 MR16 10D Dim	90 °C
929003071710	MASTER LED 6.5-50W 930 MR16 10D Dim CN	90 °C
929001882210	MASTER LED 6.5-50W 927 MR16 36D CN	90 °C
929001882308	MASTER LED 6.5-50W 930 MR16 36D ND	90 °C
929001882310	MASTER LED 6.5-50W 930 MR16 36D CN	90 °C
929003075908	MASTER LED 6.5-50W 927 MR16 60D Dim	90 °C
929003076008	MASTER LED 6.5-50W 930 MR16 60D Dim	90 °C
929003076108	MASTER LED 6.5-50W 940 MR16 60D Dim	90 °C

Controls and Dimming

Order Code	Full Product Name	Dimmable
929001881910	MASTER LED 6.5-50W 927 MR16 24D CN	No
929001882008	MASTER LED 6.5-50W 930 MR16 24D ND	No
929001882010	MASTER LED 6.5-50W 930 MR16 24D CN	No
929002491902	MAS LEDspotLV D 7.5-50W 927 MR16 24D	Only with specific dimmers
929002492202	MAS LEDspotLV D 7.5-50W 927 MR16 36D	Only with specific dimmers
929002492302	MAS LEDspotLV D 7.5-50W 930 MR16 36D	Only with specific dimmers
929003071908	MASTER LED 6.5-50W 927 MR16 24D Dim	Only with specific dimmers
929003071910	MASTER LED 6.5-50W 927 MR16 24D Dim CN	Only with specific dimmers
929003072008	MASTER LED 6.5-50W 930 MR16 24D Dim	Only with specific dimmers
929003072010	MASTER LED 6.5-50W 930 MR16 24D Dim CN	Only with specific dimmers
929003072108	MASTER LED 6.5-50W 940 MR16 24D Dim	Only with specific dimmers
929003072110	MASTER LED 6.5-50W 940 MR16 24D Dim CN	Only with specific dimmers
929003072208	MASTER LED 6.5-50W 927 MR16 36D Dim	Only with specific dimmers
929003072210	MASTER LED 6.5-50W 927 MR16 36D Dim CN	Only with specific dimmers
929003072308	MASTER LED 6.5-50W 930 MR16 36D Dim	Only with specific dimmers
929003072310	MASTER LED 6.5-50W 930 MR16 36D Dim CN	Only with specific dimmers
929003072408	MASTER LED 6.5-50W 940 MR16 36D Dim	Only with specific dimmers
929003072410	MASTER LED 6.5-50W 940 MR16 36D Dim CN	Only with specific dimmers
929003072504	8MR16/LED/827/F25/DIM 12V 10/1FB	Only with specific dimmers

Order Code	Full Product Name	Dimmable
929003072510	MASTER LED 7.5-50W+ 827 MR16 24D Dim CN	Only with specific dimmers
929003072604	8MR16/LED/830/F25/DIM 12V 10/1FB	Only with specific dimmers
929003072610	MASTER LED 7.5-50W+ 830 MR16 24D Dim CN	Only with specific dimmers
929003072704	8MR16/LED/827/F35/DIM 12V 10/1FB	Only with specific dimmers
929003072708	MASTER LED 7.5-50W+ 827 MR16 36D Dim	Only with specific dimmers
929003072710	MASTER LED 7.5-50W+ 827 MR16 36D Dim CN	Only with specific dimmers
929003072717	MASTER LED 8-50W+ 827 MR16 36D Dim	Only with specific dimmers
929003072804	8MR16/LED/830/F35/DIM 12V 10/1FB	Only with specific dimmers
929003072808	MASTER LED 7.5-50W+ 830 MR16 36D Dim	Only with specific dimmers
929003072810	MASTER LED 7.5-50W+ 830 MR16 36D Dim CN	Only with specific dimmers
929003072904	8MR16/LED/840/F35/DIM 12V 10/1FB	Only with specific dimmers
929003076204	7MR16/LED/827/F25/DIM 12V 10/1FB	Only with specific dimmers
929003076304	7MR16/LED/830/F25/DIM 12V 10/1FB	Only with specific dimmers
929003076404	7MR16/LED/827/F35/DIM 12V 10/1FB	Only with specific dimmers
929003076504	7MR16/LED/830/F35/DIM 12V 10/1FB	Only with specific dimmers
929003071608	MASTER LED 6.5-50W 927 MR16 10D Dim	Only with specific dimmers
929003071708	MASTER LED 6.5-50W 930 MR16 10D Dim	Only with specific dimmers

MASTER LED spot LV

Order Code	Full Product Name	Dimmable
929003071710	MASTER LED 6.5-50W 930 MR16 10D Dim CN	Only with specific dimmers
929001882210	MASTER LED 6.5-50W 927 MR16 36D CN	No
929001882308	MASTER LED 6.5-50W 930 MR16 36D ND	No
929001882310	MASTER LED 6.5-50W 930 MR16 36D CN	No
929003075908	MASTER LED 6.5-50W 927 MR16 60D Dim	Only with specific dimmers

Order Code	Full Product Name	Dimmable
929003076008	MASTER LED 6.5-50W 930 MR16 60D Dim	Only with specific dimmers
929003076108	MASTER LED 6.5-50W 940 MR16 60D Dim	Only with specific dimmers

Mechanical and Housing

Order Code	Full Product Name	Bulb Finish
929001881910	MASTER LED 6.5-50W 927 MR16 24D CN	Clear
929001882008	MASTER LED 6.5-50W 930 MR16 24D ND	Clear
929001882010	MASTER LED 6.5-50W 930 MR16 24D CN	Clear
929002491902	MAS LEDspotLV D 7.5-50W 927 MR16 24D	-
929002492202	MAS LEDspotLV D 7.5-50W 927 MR16 36D	-
929002492302	MAS LEDspotLV D 7.5-50W 930 MR16 36D	-
929003071908	MASTER LED 6.5-50W 927 MR16 24D Dim	-
929003071910	MASTER LED 6.5-50W 927 MR16 24D Dim CN	-
929003072008	MASTER LED 6.5-50W 930 MR16 24D Dim	-
929003072010	MASTER LED 6.5-50W 930 MR16 24D Dim CN	-
929003072108	MASTER LED 6.5-50W 940 MR16 24D Dim	-
929003072110	MASTER LED 6.5-50W 940 MR16 24D Dim CN	-
929003072208	MASTER LED 6.5-50W 927 MR16 36D Dim	-
929003072210	MASTER LED 6.5-50W 927 MR16 36D Dim CN	-
929003072308	MASTER LED 6.5-50W 930 MR16 36D Dim	-
929003072310	MASTER LED 6.5-50W 930 MR16 36D Dim CN	-
929003072408	MASTER LED 6.5-50W 940 MR16 36D Dim	-
929003072410	MASTER LED 6.5-50W 940 MR16 36D Dim CN	-
929003072504	8MR16/LED/827/F25/DIM 12V 10/1FB	Clear
929003072510	MASTER LED 7.5-50W+ 827 MR16 24D Dim CN	-
929003072604	8MR16/LED/830/F25/DIM 12V 10/1FB	Clear
929003072610	MASTER LED 7.5-50W+ 830 MR16 24D Dim CN	-

Order Code	Full Product Name	Bulb Finish
929003072704	8MR16/LED/827/F35/DIM 12V 10/1FB	Clear
929003072708	MASTER LED 7.5-50W+ 827 MR16 36D Dim	-
929003072710	MASTER LED 7.5-50W+ 827 MR16 36D Dim CN	-
929003072717	MASTER LED 8-50W+ 827 MR16 36D Dim	-
929003072804	8MR16/LED/830/F35/DIM 12V 10/1FB	Clear
929003072808	MASTER LED 7.5-50W+ 830 MR16 36D Dim	-
929003072810	MASTER LED 7.5-50W+ 830 MR16 36D Dim CN	-
929003072904	8MR16/LED/840/F35/DIM 12V 10/1FB	Clear
929003076204	7MR16/LED/827/F25/DIM 12V 10/1FB	Clear
929003076304	7MR16/LED/830/F25/DIM 12V 10/1FB	Clear
929003076404	7MR16/LED/827/F35/DIM 12V 10/1FB	Clear
929003076504	7MR16/LED/830/F35/DIM 12V 10/1FB	Clear
929003071608	MASTER LED 6.5-50W 927 MR16 10D Dim	-
929003071708	MASTER LED 6.5-50W 930 MR16 10D Dim	-
929003071710	MASTER LED 6.5-50W 930 MR16 10D Dim CN	-
929001882210	MASTER LED 6.5-50W 927 MR16 36D CN	Clear
929001882308	MASTER LED 6.5-50W 930 MR16 36D ND	Clear
929001882310	MASTER LED 6.5-50W 930 MR16 36D CN	Clear
929003075908	MASTER LED 6.5-50W 927 MR16 60D Dim	-
929003076008	MASTER LED 6.5-50W 930 MR16 60D Dim	-
929003076108	MASTER LED 6.5-50W 940 MR16 60D Dim	-

Approval and Application

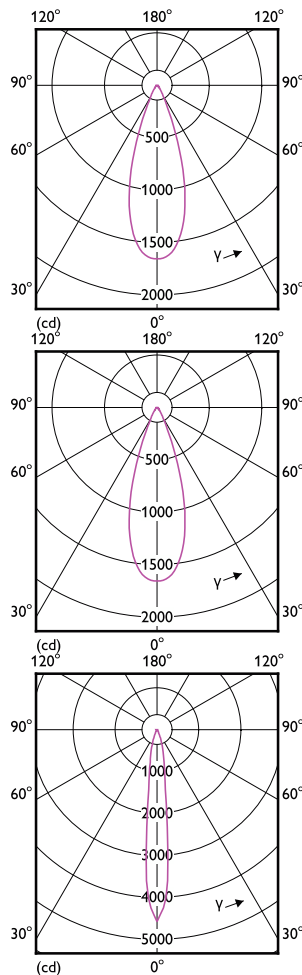
Order Code	Full Product Name	Energy	
		Ambient temperature range	Consumption kWh/1000 h
929001881910	MASTER LED 6.5-50W 927 MR16 24D CN	-20 to +45 °C	8 kWh
929001882008	MASTER LED 6.5-50W 930 MR16 24D ND	-20 °C to 45 °C	-
929001882010	MASTER LED 6.5-50W 930 MR16 24D CN	-20 to +45 °C	8 kWh
929002491902	MAS LEDspotLV D 7.5-50W 927 MR16 24D	-20 to +40 °C	8 kWh
929002492202	MAS LEDspotLV D 7.5-50W 927 MR16 36D	-20 to +40 °C	8 kWh
929002492302	MAS LEDspotLV D 7.5-50W 930 MR16 36D	-20 to +40 °C	8 kWh

Order Code	Full Product Name	Energy	
		Ambient temperature range	Consumption kWh/1000 h
929003071908	MASTER LED 6.5-50W 927 MR16 24D Dim	-20 to +45 °C	-
929003071910	MASTER LED 6.5-50W 927 MR16 24D Dim CN	-20 to +45 °C	-
929003072008	MASTER LED 6.5-50W 930 MR16 24D Dim	-20 to +45 °C	-
929003072010	MASTER LED 6.5-50W 930 MR16 24D Dim CN	-20 to +45 °C	-
929003072108	MASTER LED 6.5-50W 940 MR16 24D Dim	-20 to +45 °C	-
929003072110	MASTER LED 6.5-50W 940 MR16 24D Dim CN	-20 to +45 °C	-

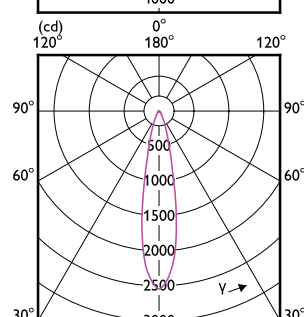
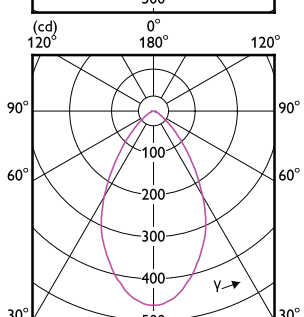
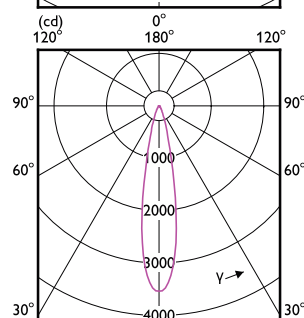
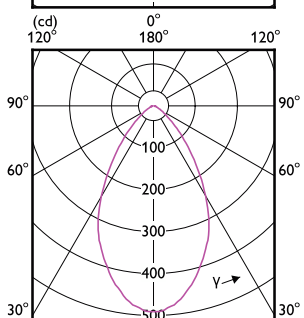
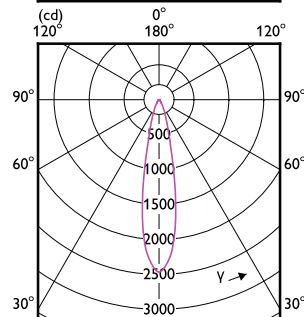
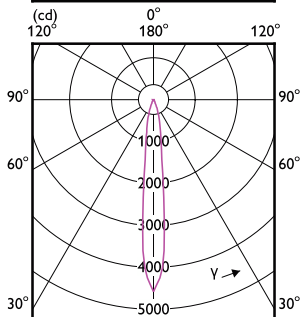
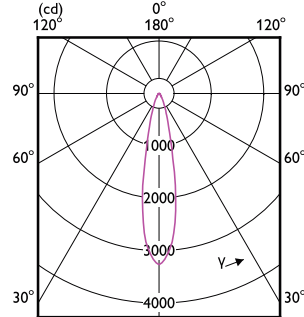
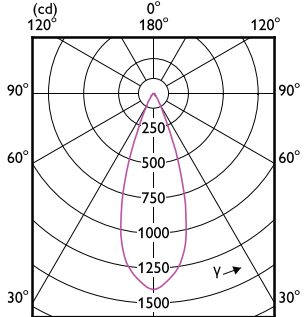
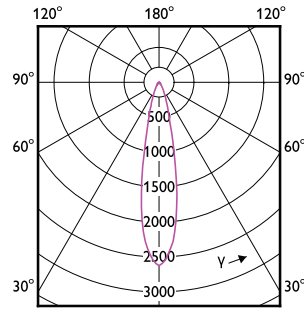
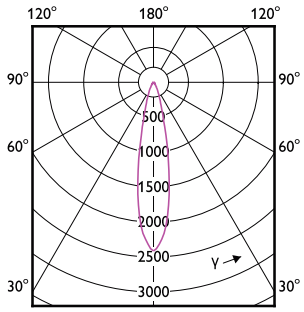
MASTER LED spot LV

Order Code	Full Product Name	Ambient temperature range	Energy Consumption kWh/1000 h
929003072208	MASTER LED 6.5-50W 927 MR16 36D Dim	-20 to +45 °C	-
929003072210	MASTER LED 6.5-50W 927 MR16 36D Dim CN	-20 to +45 °C	-
929003072308	MASTER LED 6.5-50W 930 MR16 36D Dim	-20 to +45 °C	-
929003072310	MASTER LED 6.5-50W 930 MR16 36D Dim CN	-20 to +45 °C	-
929003072408	MASTER LED 6.5-50W 940 MR16 36D Dim	-20 to +45 °C	-
929003072410	MASTER LED 6.5-50W 940 MR16 36D Dim CN	-20 to +45 °C	-
929003072504	8MR16/LED/827/F25/DIM 12V 10/1FB	-20 to +45 °C	-
929003072510	MASTER LED 7.5-50W+ 827 MR16 24D Dim CN	-20 to +45 °C	-
929003072604	8MR16/LED/830/F25/DIM 12V 10/1FB	-20 to +45 °C	-
929003072610	MASTER LED 7.5-50W+ 830 MR16 24D Dim CN	-20 to +45 °C	-
929003072704	8MR16/LED/827/F35/DIM 12V 10/1FB	-20 to +45 °C	-
929003072708	MASTER LED 7.5-50W+ 827 MR16 36D Dim	-20 to +45 °C	-
929003072710	MASTER LED 7.5-50W+ 827 MR16 36D Dim CN	-20 to +45 °C	-
929003072717	MASTER LED 8-50W+ 827 MR16 36D Dim	-20 to +45 °C	-
929003072804	8MR16/LED/830/F35/DIM 12V 10/1FB	-20 to +45 °C	-
929003072808	MASTER LED 7.5-50W+ 830 MR16 36D Dim	-20 to +45 °C	-
929003072810	MASTER LED 7.5-50W+ 830 MR16 36D Dim CN	-20 to +45 °C	-
929003072904	8MR16/LED/840/F35/DIM 12V 10/1FB	-20 to +45 °C	-
929003076204	7MR16/LED/827/F25/DIM 12V 10/1FB	-20 to +45 °C	-
929003076304	7MR16/LED/830/F25/DIM 12V 10/1FB	-20 to +45 °C	-
929003076404	7MR16/LED/827/F35/DIM 12V 10/1FB	-20 to +45 °C	-
929003076504	7MR16/LED/830/F35/DIM 12V 10/1FB	-20 to +45 °C	-
929003071608	MASTER LED 6.5-50W 927 MR16 10D Dim	-20 to +45 °C	-
929003071708	MASTER LED 6.5-50W 930 MR16 10D Dim	-20 to +45 °C	-
929003071710	MASTER LED 6.5-50W 930 MR16 10D Dim CN	-20 to +45 °C	-

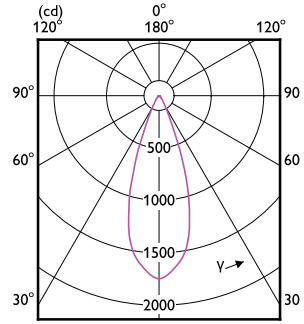
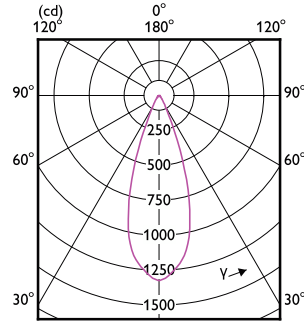
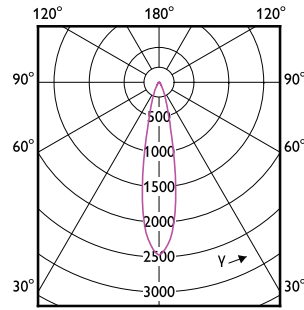
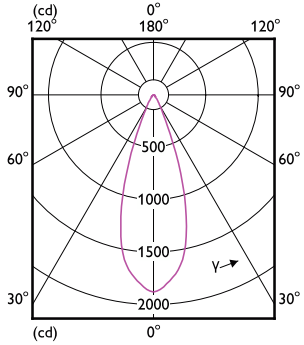
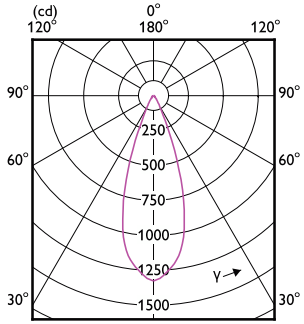
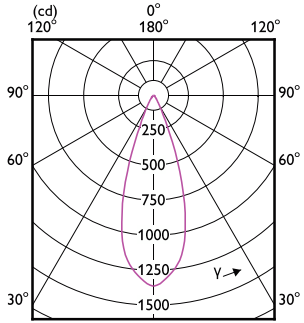
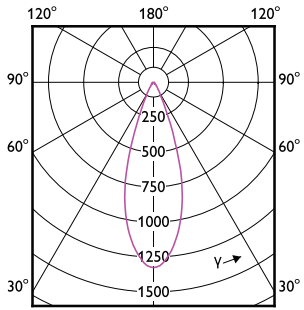
Order Code	Full Product Name	Ambient temperature range	Energy Consumption kWh/1000 h
929001882210	MASTER LED 6.5-50W 927 MR16 36D CN	-20 to +45 °C	8 kWh
929001882308	MASTER LED 6.5-50W 930 MR16 36D ND	-20 °C to 45 °C	-
929001882310	MASTER LED 6.5-50W 930 MR16 36D CN	-20 to +45 °C	8 kWh
929003075908	MASTER LED 6.5-50W 927 MR16 60D Dim	-20 to +45 °C	-
929003076008	MASTER LED 6.5-50W 930 MR16 60D Dim	-20 to +45 °C	-
929003076108	MASTER LED 6.5-50W 940 MR16 60D Dim	-20 to +45 °C	-



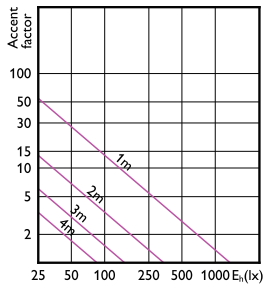
MASTER LED spot LV



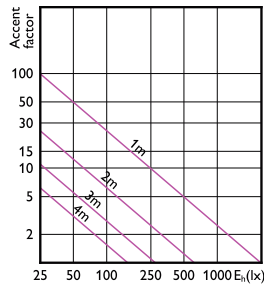
MASTER LED spot LV



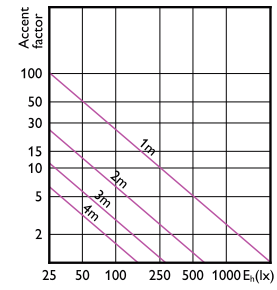
Accent Diagrams



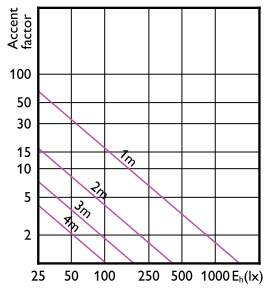
Accent Diagram - 7MR16/LED/827/F35/DIM 12V 10/1FB



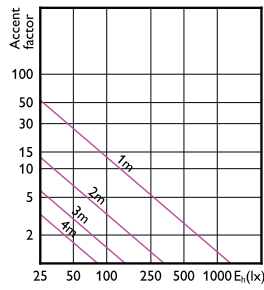
Accent Diagram - MASTER LED 6.5-50W 930 MR16 24D Dim CN



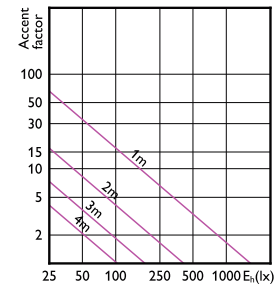
Accent Diagram - 7MR16/LED/830/F25/DIM 12V 10/1FB



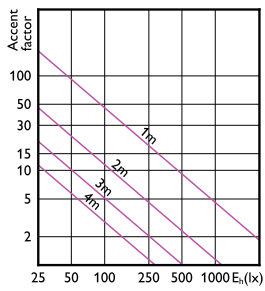
Accent Diagram - MAS LEDspotLV D 7.5-50W 930 MR16 36D



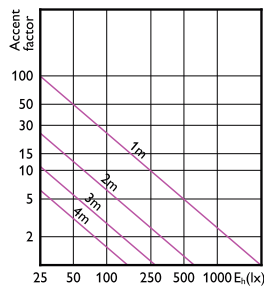
Accent Diagram - MASTER LED 6.5-50W 930 MR16 36D Dim



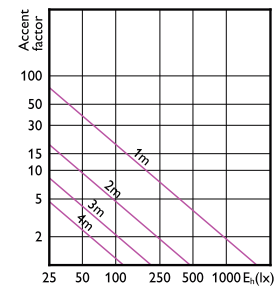
Accent Diagram - MAS LEDspotLV D 7.5-50W 927 MR16 36D



Accent Diagram - MASTER LED 6.5-50W 930 MR16 10D Dim

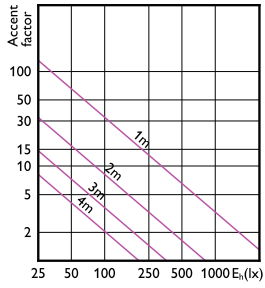


Accent Diagram - MASTER LED 6.5-50W 927 MR16 24D Dim

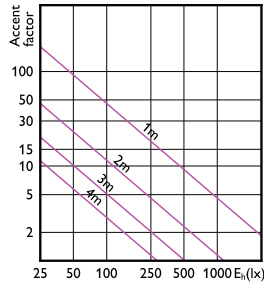


Accent Diagram - 8MR16/LED/840/F35/DIM 12V 10/1FB

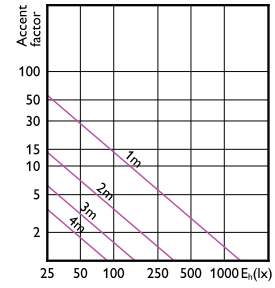
Accent Diagrams



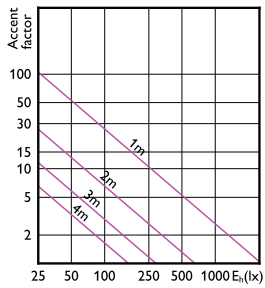
Accent Diagram - MASTER LED 7.5-50W+ 827
MR16 24D Dim CN



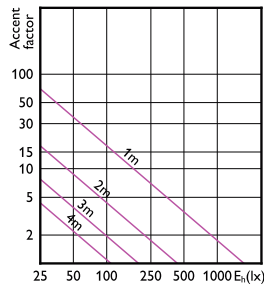
Accent Diagram - MASTER LED 6.5-50W 927
MR16 10D Dim



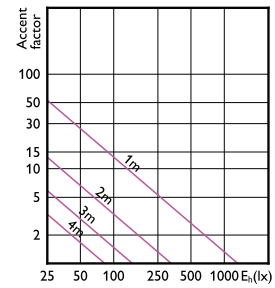
Accent Diagram - MASTER LED 6.5-50W 940
MR16 36D Dim



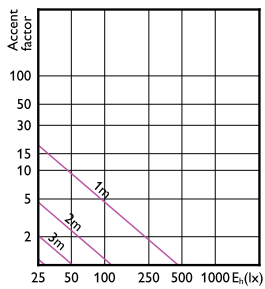
Accent Diagram - MASTER LED 6.5-50W 940
MR16 24D Dim CN



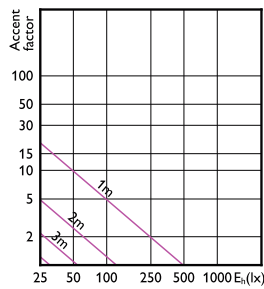
Accent Diagram - MASTER LED 7.5-50W+ 827
MR16 36D Dim CN



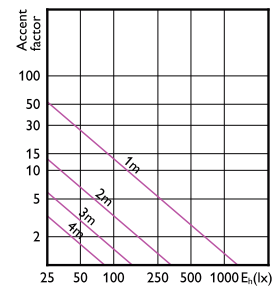
Accent Diagram - MASTER LED 6.5-50W 927
MR16 36D Dim CN



Accent Diagram - MASTER LED 6.5-50W 930
MR16 60D Dim



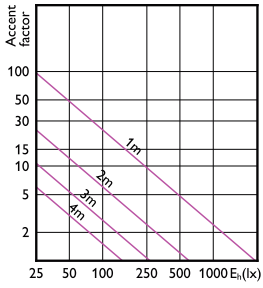
Accent Diagram - MASTER LED 6.5-50W 940
MR16 60D Dim



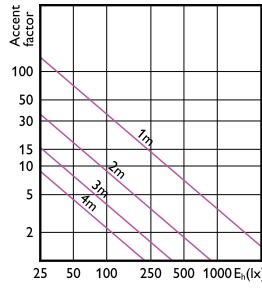
Accent Diagram - MASTER LED 6.5-50W 927
MR16 36D CN

MASTER LED spot LV

Accent Diagrams

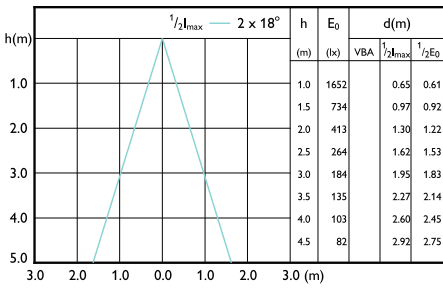


Accent Diagram - MASTER LED 6.5-50W 927 MR16 24D CN

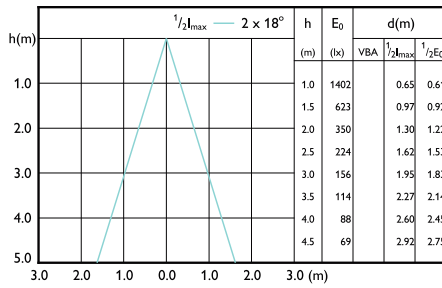


Accent Diagram - MAS LEDspotLV D 7.5-50W 927 MR16 24D

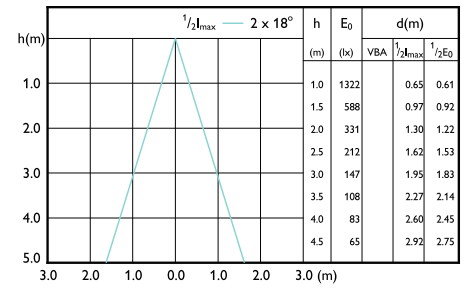
Beam Diagrams



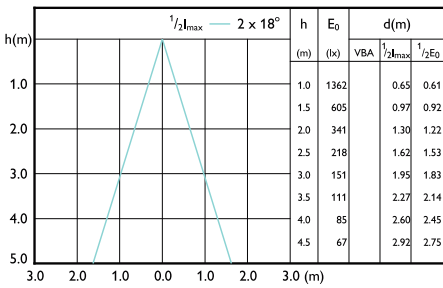
Beam diagram - MAS LEDspotLV D 7.5-50W 930 MR16 36D



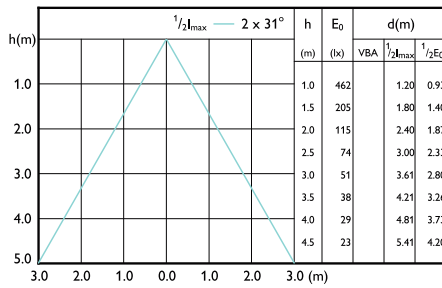
Beam diagram - MASTER LED 6.5-50W 940 MR16 36D Dim



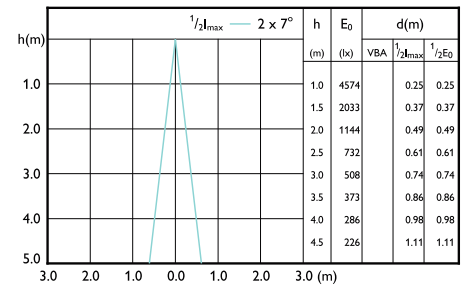
Beam diagram - MASTER LED 6.5-50W 930 MR16 36D Dim



Beam diagram - 7MR16/LED/827/F35/DIM 12V 10/1FB

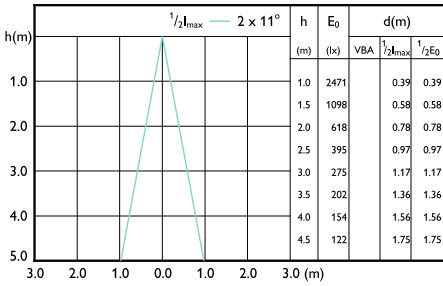


Beam diagram - MASTER LED 6.5-50W 930 MR16 60D Dim

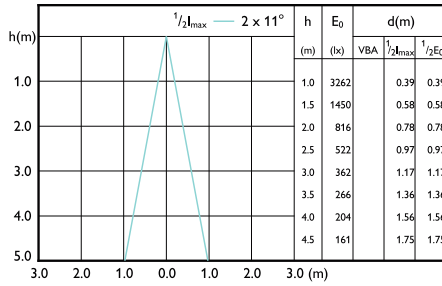


Beam diagram - MASTER LED 6.5-50W 927 MR16 10D Dim

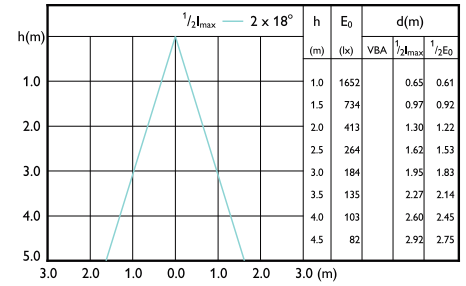
Beam Diagrams



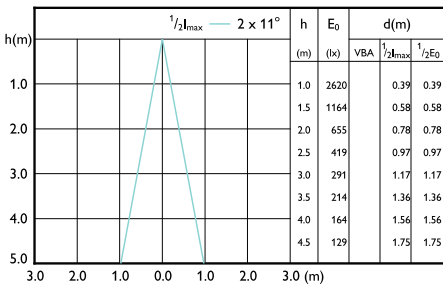
Beam diagram - MASTER LED 6.5-50W 927 MR16 24D Dim



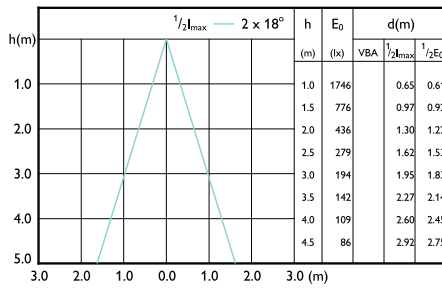
Beam diagram - MASTER LED 7.5-50W+ 827 MR16 24D Dim CN



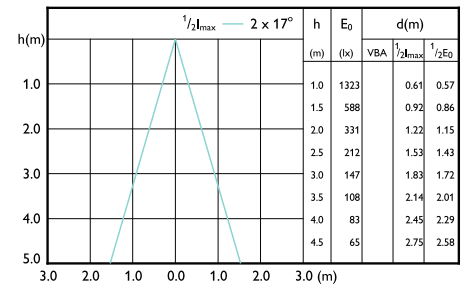
Beam diagram - MAS LEDspotLV D 7.5-50W 927 MR16 36D



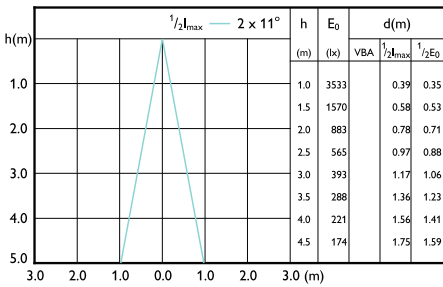
Beam diagram - MASTER LED 6.5-50W 940 MR16 24D Dim CN



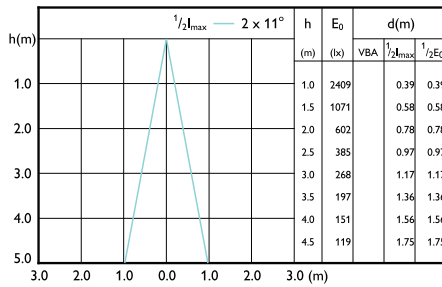
Beam diagram - MASTER LED 7.5-50W+ 827 MR16 36D Dim CN



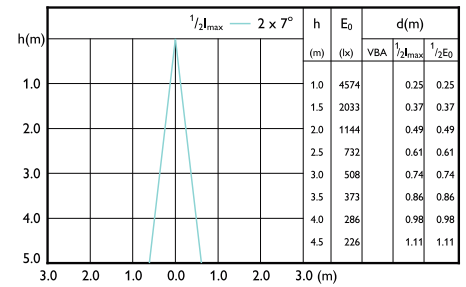
Beam diagram - MASTER LED 6.5-50W 927 MR16 36D CN



Beam diagram - MAS LEDspotLV D 7.5-50W 927 MR16 24D



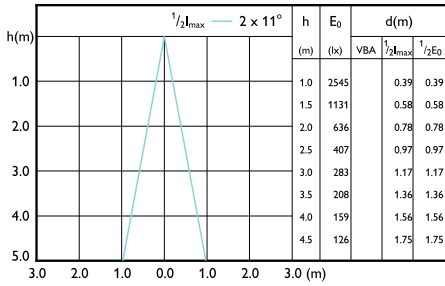
Beam diagram - MASTER LED 6.5-50W 927 MR16 24D CN



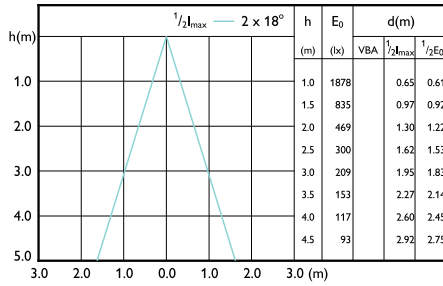
Beam diagram - MASTER LED 6.5-50W 930 MR16 10D Dim

MASTER LED spot LV

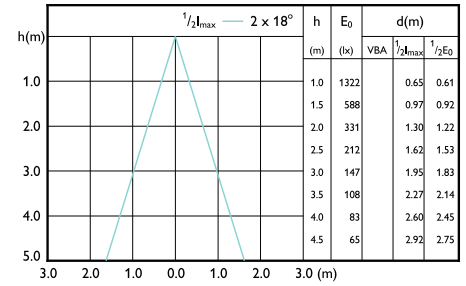
Beam Diagrams



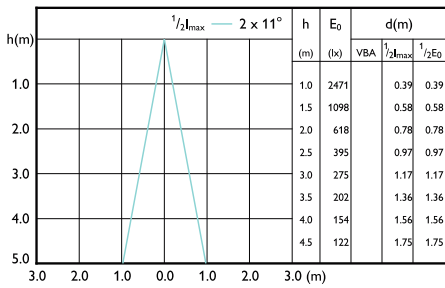
Beam diagram - 7MR16/LED/830/F25/DIM 12V 10/1FB



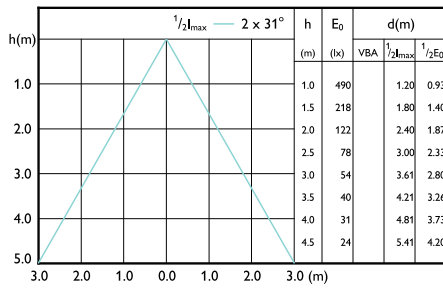
Beam diagram - 8MR16/LED/840/F35/DIM 12V 10/1FB



Beam diagram - MASTER LED 6.5-50W 927 MR16 36D Dim CN



Beam diagram - MASTER LED 6.5-50W 930 MR16 24D Dim CN



Beam diagram - MASTER LED 6.5-50W 940 MR16 60D Dim

