



# De nieuwe generatie T5 LED-TL-verlichting op netspanning

## MASTER LEDtube Mains T5

De nieuwe Philips MASTER LEDtube Mains T5 zorgt voor eenvoud in je verlichtingsproject. Je hoeft geen aandacht meer te schenken aan de drivertechnologie. Dankzij een uniek ontwerp laat de Philips MASTER LEDtube Mains T5 zich installeren in armaturen die werken op een netspanningsaansluiting. Dus eenvoudig in te passen! De veilige, betrouwbare en gemakkelijk te installeren Philips MASTER LEDtube Mains T5 is het perfecte alternatief voor standaard fluorescentiebuizen en biedt hoge energiebesparingen en lagere onderhoudskosten.

### Voordelen

- Lagere operationele kosten dankzij lager energieverbruik.
- Lagere onderhoudskosten dankzij de langere levensduur ten opzichte van conventionele lampen.
- Snelste en eenvoudigste manier om een bestaande armatuur op te waarderen naar LED-technologie; volledig veilig product en installatieproces.

### Kenmerken

- Vervanger voor bestaande T5-lampen. Werkt met aansluiting op de netspanning
- Energiebesparingen in vergelijking met fluorescentiebuizen.
- Lange levensduur
- Geen kwik

### Toepassing

- Kantoren, onderwijsinstellingen, detailhandel
- Industriële ruimten, magazijnen, grootwinkelbedrijven

# MASTER LEDtube Mains T5

## Versions

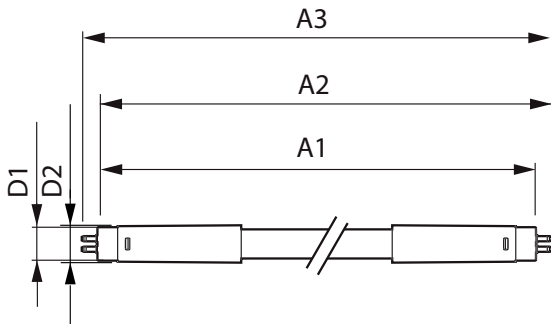


LEDtube MAS 36W G5

MAS LEDtube HE T5 Mains EU 20240507

# MASTER LEDtube Mains T5

## Maatschets



Product	D1	D2	A1	A2	A3
MAS LEDtube 1200mm HE 16.5W 830 T5 EU	15,7 mm	19 mm	1.149 mm	1.156,1 mm	1.163,2 mm
MAS LEDtube 1200mm HE 16.5W 840 T5 EU	15,7 mm	19 mm	1.149 mm	1.156,1 mm	1.163,2 mm
MAS LEDtube 1200mm HE 16.5W 865 T5 EU	15,7 mm	19 mm	1.149 mm	1.156,1 mm	1.163,2 mm
MAS LEDtube 1200mm HO 26W 830 T5	15,5 mm	17,1 mm	1.149 mm	1.156 mm	1.163 mm
MAS LEDtube 1200mm HO 26W 840 T5	15,5 mm	17,1 mm	1.149 mm	1.156 mm	1.163 mm
MAS LEDtube 1200mm HO 26W 865 T5	15,5 mm	17,1 mm	1.149 mm	1.156 mm	1.163 mm
MAS LEDtube 1500mm HE 20W 830 T5 EU	15,7 mm	19 mm	1.449 mm	1.456,1 mm	1.463,2 mm
MAS LEDtube 1500mm HE 20W 840 T5 EU	15,7 mm	19 mm	1.449 mm	1.456,1 mm	1.463,2 mm
MAS LEDtube 1500mm HE 20W 865 T5 EU	15,7 mm	19 mm	1.449 mm	1.456,1 mm	1.463,2 mm
MAS LEDtube 1500mm HO 26W 830 T5	15,5 mm	17,1 mm	1.449 mm	1.456 mm	1.463 mm
MAS LEDtube 1500mm HO 26W 840 T5	15,5 mm	17,1 mm	1.449 mm	1.456 mm	1.463 mm
MAS LEDtube 1500mm HO 26W 865 T5	15,5 mm	17,1 mm	1.449 mm	1.456 mm	1.463 mm
MAS LEDtube 1500mm UO 36W 830 T5	15,5 mm	18,8 mm	1.449 mm	1.456,1 mm	1.463,2 mm
MAS LEDtube 1500mm UO 36W 840 T5	15,5 mm	18,8 mm	1.449 mm	1.456,1 mm	1.463,2 mm
MAS LEDtube 1500mm UO 36W 865 T5	15,5 mm	18,8 mm	1.449 mm	1.456,1 mm	1.463,2 mm
MAS LEDtube 600mm HE 7W 830 T5 EU	15,7 mm	19 mm	549 mm	556,1 mm	563,2 mm
MAS LEDtube 600mm HE 7W 840 T5 EU	15,7 mm	19 mm	549 mm	556,1 mm	563,2 mm
MAS LEDtube 600mm HE 7W 865 T5 EU	15,7 mm	19 mm	549 mm	556,1 mm	563,2 mm
MAS LEDtube 600mm HO 10.5W 830 T5		19 mm	549 mm	556,1 mm	563,2 mm
MAS LEDtube 600mm HO 10.5W 840 T5		19 mm	549 mm	556,1 mm	563,2 mm
MAS LEDtube 600mm HO 10.5W 865 T5		19 mm	549 mm	556,1 mm	563,2 mm
MAS LEDtube 900mm HE 11.5W 830 T5 EU	15,7 mm	19 mm	849 mm	856,1 mm	863,2 mm
MAS LEDtube 900mm HE 11.5W 840 T5 EU	15,7 mm	19 mm	849 mm	856,1 mm	863,2 mm
MAS LEDtube 900mm HE 11.5W 865 T5 EU	15,7 mm	19 mm	849 mm	856,1 mm	863,2 mm
MAS LEDtube 900mm HO 18.5W 830 T5		19 mm	849 mm	856,1 mm	863,2 mm

# MASTER LEDtube Mains T5

## Maatschets

Product	D1	D2	A1	A2	A3
MAS LEDtube 900mm HO 18.5W 840 T5		19 mm	849 mm	856,1 mm	863,2 mm
MAS LEDtube 900mm HO 18.5W 865 T5		19 mm	849 mm	856,1 mm	863,2 mm

Algemene informatie	
Lampvoet	G5
Schakelcyclus	200.000
Gegevens lichttechniek	
Bundelhoek (nom.)	200 graden
Kleurweergave-index (CRI)	80
LLMF bij einde nominale levensduur (nom.)	70 %
Bedrijfs- en elektrische gegevens	
Ingangsfrequentie	50 tot 60 Hz
Opstarttijd (nom.)	0,5 s
Dimbaarheid en regelsystemen	
Dimbaar	Nee
Eigenschappen behuizing en afmetingen	
Lampwerking	Mat
Lampvorm	T5

## Algemene informatie

Order Code	Full Product Name	Nominale levensduur
8719514290501	MAS LEDtube 1500mm UO 36W 830 T5	50.000 hr
8719514290525	MAS LEDtube 1500mm UO 36W 840 T5	50.000 hr
8719514290549	MAS LEDtube 1500mm UO 36W 865 T5	50.000 hr
8718696819210	MAS LEDtube 1200mm HO 26W 830 T5	60.000 hr
8718696819234	MAS LEDtube 1200mm HO 26W 840 T5	60.000 hr
8718696819258	MAS LEDtube 1200mm HO 26W 865 T5	60.000 hr
8718696819296	MAS LEDtube 1500mm HO 26W 830 T5	60.000 hr
8718696819319	MAS LEDtube 1500mm HO 26W 840 T5	60.000 hr
8718696819333	MAS LEDtube 1500mm HO 26W 865 T5	60.000 hr
8719514334373	MAS LEDtube 1500mm HE 20W 830 T5 EU	60.000 hr
8719514334397	MAS LEDtube 1500mm HE 20W 840 T5 EU	60.000 hr
8719514334410	MAS LEDtube 1500mm HE 20W 865 T5 EU	60.000 hr
8719514334311	MAS LEDtube 1200mm HE 16.5W 830 T5 EU	60.000 hr
8719514334335	MAS LEDtube 1200mm HE 16.5W 840 T5 EU	60.000 hr
8719514334359	MAS LEDtube 1200mm HE 16.5W 865 T5 EU	60.000 hr
8720169270626	MAS LEDtube 900mm HE 11.5W 830 T5 EU	60.000 hr
8720169270640	MAS LEDtube 900mm HE 11.5W 840 T5 EU	60.000 hr
8720169270664	MAS LEDtube 900mm HE 11.5W 865 T5 EU	60.000 hr
8720169275218	MAS LEDtube 600mm HO 10.5W 830 T5	60.000 hr
8720169275317	MAS LEDtube 600mm HO 10.5W 840 T5	60.000 hr
8720169275232	MAS LEDtube 600mm HO 10.5W 865 T5	60.000 hr
8720169275256	MAS LEDtube 900mm HO 18.5W 830 T5	60.000 hr
8720169275270	MAS LEDtube 900mm HO 18.5W 840 T5	60.000 hr
8720169275294	MAS LEDtube 900mm HO 18.5W 865 T5	60.000 hr
8720169311695	MAS LEDtube 600mm HE 7W 830 T5 EU	60.000 hr
8720169306820	MAS LEDtube 600mm HE 7W 840 T5 EU	60.000 hr
8720169306844	MAS LEDtube 600mm HE 7W 865 T5 EU	60.000 hr

## Gegevens lichttechniek

Order Code	Full Product Name	Gecorreleerde kleurtemperatuur (nom.)	Kleurcode	Lichtstroom
8719514290501	MAS LEDtube 1500mm UO 36W 830 T5	3000 K	830	5.200 lm
8719514290525	MAS LEDtube 1500mm UO 36W 840 T5	4000 K	840	5.600 lm

Order Code	Full Product Name	Gecorreleerde kleurtemperatuur (nom.)	Kleurcode	Lichtstroom
8719514290549	MAS LEDtube 1500mm UO 36W 865 T5	6500 K	865	5.600 lm
8718696819210	MAS LEDtube 1200mm HO 26W 830 T5	3000 K	830	3.600 lm

## MASTER LEDtube Mains T5

Order Code	Full Product Name	Gecorreleerde kleurtemperatuur (nom.)	Kleurcode	Lichtstroom
8718696819234	MAS LEDtube 1200mm HO 26W 840 T5	4000 K	840	3.900 lm
8718696819258	MAS LEDtube 1200mm HO 26W 865 T5	6500 K	865	3.900 lm
8718696819296	MAS LEDtube 1500mm HO 26W 830 T5	3000 K	830	3.600 lm
8718696819319	MAS LEDtube 1500mm HO 26W 840 T5	4000 K	840	3.900 lm
8718696819333	MAS LEDtube 1500mm HO 26W 865 T5	6500 K	865	3.900 lm
8719514334373	MAS LEDtube 1500mm HE 20W 830 T5 EU	3000 K	830	2.800 lm
8719514334397	MAS LEDtube 1500mm HE 20W 840 T5 EU	4000 K	840	3.000 lm
8719514334410	MAS LEDtube 1500mm HE 20W 865 T5 EU	6500 K	865	3.000 lm
8719514334311	MAS LEDtube 1200mm HE 16.5W 830 T5 EU	3000 K	830	2.300 lm
8719514334335	MAS LEDtube 1200mm HE 16.5W 840 T5 EU	4000 K	840	2.500 lm
8719514334359	MAS LEDtube 1200mm HE 16.5W 865 T5 EU	6500 K	865	2.500 lm
8720169270626	MAS LEDtube 900mm HE 11.5W 830 T5 EU	3000 K	830	1.600 lm

Order Code	Full Product Name	Gecorreleerde kleurtemperatuur (nom.)	Kleurcode	Lichtstroom
8720169270640	MAS LEDtube 900mm HE 11.5W 840 T5 EU	4000 K	840	1.700 lm
8720169270664	MAS LEDtube 900mm HE 11.5W 865 T5 EU	6500 K	865	1.700 lm
8720169275218	MAS LEDtube 600mm HO 10.5W 830 T5	3000 K	830	1.500 lm
8720169275317	MAS LEDtube 600mm HO 10.5W 840 T5	4000 K	840	1.600 lm
8720169275232	MAS LEDtube 600mm HO 10.5W 865 T5	6500 K	865	1.600 lm
8720169275256	MAS LEDtube 900mm HO 18.5W 830 T5	3000 K	830	2.600 lm
8720169275270	MAS LEDtube 900mm HO 18.5W 840 T5	4000 K	840	2.800 lm
8720169275294	MAS LEDtube 900mm HO 18.5W 865 T5	6500 K	865	2.800 lm
8720169311695	MAS LEDtube 600mm HE 7W 830 T5 EU	3000 K	830	1.000 lm
8720169306820	MAS LEDtube 600mm HE 7W 840 T5 EU	4000 K	840	1.050 lm
8720169306844	MAS LEDtube 600mm HE 7W 865 T5 EU	6500 K	865	1.050 lm

### Bedrijfs- en elektrische gegevens

Order Code	Full Product Name	Ingangsfrequentie	Energieverbruik
8719514290501	MAS LEDtube 1500mm UO 36W 830 T5	50 to 60 Hz	36 W
8719514290525	MAS LEDtube 1500mm UO 36W 840 T5	50 to 60 Hz	36 W
8719514290549	MAS LEDtube 1500mm UO 36W 865 T5	50 to 60 Hz	36 W
8718696819210	MAS LEDtube 1200mm HO 26W 830 T5	50 to 60 Hz	26 W
8718696819234	MAS LEDtube 1200mm HO 26W 840 T5	50 to 60 Hz	26 W

Order Code	Full Product Name	Ingangsfrequentie	Energieverbruik
8718696819258	MAS LEDtube 1200mm HO 26W 865 T5	50 to 60 Hz	26 W
8718696819296	MAS LEDtube 1500mm HO 26W 830 T5	50 to 60 Hz	26 W
8718696819319	MAS LEDtube 1500mm HO 26W 840 T5	50 to 60 Hz	26 W
8718696819333	MAS LEDtube 1500mm HO 26W 865 T5	50 to 60 Hz	26 W
8719514334373	MAS LEDtube 1500mm HE 20W 830 T5 EU	50 to 60 Hz	20 W

## MASTER LEDtube Mains T5

Order Code	Full Product Name	Ingangsfrequentie	Energieverbruik
8719514334397	MAS LEDtube 1500mm HE 20W 840 T5 EU	50 to 60 Hz	20 W
8719514334410	MAS LEDtube 1500mm HE 20W 865 T5 EU	50 to 60 Hz	20 W
8719514334311	MAS LEDtube 1200mm HE 16.5W 830 T5 EU	50 to 60 Hz	16,5 W
8719514334335	MAS LEDtube 1200mm HE 16.5W 840 T5 EU	50 to 60 Hz	16,5 W
8719514334359	MAS LEDtube 1200mm HE 16.5W 865 T5 EU	50 to 60 Hz	16,5 W
8720169270626	MAS LEDtube 900mm HE 11.5W 830 T5 EU	50 to 60 Hz	11,5 W
8720169270640	MAS LEDtube 900mm HE 11.5W 840 T5 EU	50 to 60 Hz	11,5 W
8720169270664	MAS LEDtube 900mm HE 11.5W 865 T5 EU	50 to 60 Hz	11,5 W
8720169275218	MAS LEDtube 600mm HO 10.5W 830 T5	-	10,5 W

Order Code	Full Product Name	Ingangsfrequentie	Energieverbruik
8720169275317	MAS LEDtube 600mm HO 10.5W 840 T5	-	10,5 W
8720169275232	MAS LEDtube 600mm HO 10.5W 865 T5	-	10,5 W
8720169275256	MAS LEDtube 900mm HO 18.5W 830 T5	-	18,5 W
8720169275270	MAS LEDtube 900mm HO 18.5W 840 T5	-	18,5 W
8720169275294	MAS LEDtube 900mm HO 18.5W 865 T5	-	18,5 W
8720169311695	MAS LEDtube 600mm HE 7W 830 T5 EU	-	7 W
8720169306820	MAS LEDtube 600mm HE 7W 840 T5 EU	-	7 W
8720169306844	MAS LEDtube 600mm HE 7W 865 T5 EU	-	7 W

### Operationele temperatuur

Order Code	Full Product Name	T-behuizing maximaal (nom.)
8719514290501	MAS LEDtube 1500mm UO 36W 830 T5	75 °C
8719514290525	MAS LEDtube 1500mm UO 36W 840 T5	75 °C
8719514290549	MAS LEDtube 1500mm UO 36W 865 T5	75 °C
8718696819210	MAS LEDtube 1200mm HO 26W 830 T5	65 °C
8718696819234	MAS LEDtube 1200mm HO 26W 840 T5	65 °C
8718696819258	MAS LEDtube 1200mm HO 26W 865 T5	65 °C
8718696819296	MAS LEDtube 1500mm HO 26W 830 T5	65 °C
8718696819319	MAS LEDtube 1500mm HO 26W 840 T5	65 °C
8718696819333	MAS LEDtube 1500mm HO 26W 865 T5	65 °C
8719514334373	MAS LEDtube 1500mm HE 20W 830 T5 EU	55 °C
8719514334397	MAS LEDtube 1500mm HE 20W 840 T5 EU	55 °C
8719514334410	MAS LEDtube 1500mm HE 20W 865 T5 EU	55 °C
8719514334311	MAS LEDtube 1200mm HE 16.5W 830 T5 EU	55 °C
8719514334335	MAS LEDtube 1200mm HE 16.5W 840 T5 EU	55 °C

Order Code	Full Product Name	T-behuizing maximaal (nom.)
8719514334359	MAS LEDtube 1200mm HE 16.5W 865 T5 EU	55 °C
8720169270626	MAS LEDtube 900mm HE 11.5W 830 T5 EU	45 °C
8720169270640	MAS LEDtube 900mm HE 11.5W 840 T5 EU	45 °C
8720169270664	MAS LEDtube 900mm HE 11.5W 865 T5 EU	45 °C
8720169275218	MAS LEDtube 600mm HO 10.5W 830 T5	60 °C
8720169275317	MAS LEDtube 600mm HO 10.5W 840 T5	60 °C
8720169275232	MAS LEDtube 600mm HO 10.5W 865 T5	60 °C
8720169275256	MAS LEDtube 900mm HO 18.5W 830 T5	60 °C
8720169275270	MAS LEDtube 900mm HO 18.5W 840 T5	60 °C
8720169275294	MAS LEDtube 900mm HO 18.5W 865 T5	60 °C
8720169311695	MAS LEDtube 600mm HE 7W 830 T5 EU	50 °C
8720169306820	MAS LEDtube 600mm HE 7W 840 T5 EU	50 °C
8720169306844	MAS LEDtube 600mm HE 7W 865 T5 EU	50 °C

### Keurmerken en classificaties

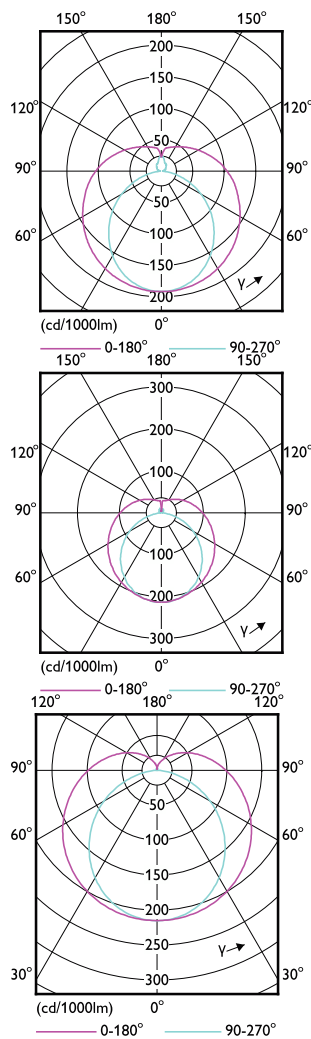
Order Code	Full Product Name	Bereik omgevingstemperatuur	Energieverbruik kWh/1.000 uur
8719514290501	MAS LEDtube 1500mm UO 36W 830 T5	-20 °C t/m 45 °C	36 kWh
8719514290525	MAS LEDtube 1500mm UO 36W 840 T5	-20 °C t/m 45 °C	36 kWh
8719514290549	MAS LEDtube 1500mm UO 36W 865 T5	-20 °C t/m 45 °C	36 kWh

Order Code	Full Product Name	Bereik omgevingstemperatuur	Energieverbruik kWh/1.000 uur
8718696819210	MAS LEDtube 1200mm HO 26W 830 T5	-20 tot +45 °C	26 kWh
8718696819234	MAS LEDtube 1200mm HO 26W 840 T5	-20 tot +45 °C	26 kWh
8718696819258	MAS LEDtube 1200mm HO 26W 865 T5	-20 tot +45 °C	26 kWh

# MASTER LEDtube Mains T5

Order Code	Full Product Name	Bereik omgevingstemperatuur	Energieverbruik kWh/1.000 uur
8718696819296	MAS LEDtube 1500mm HO 26W 830 T5	-20 tot +45 °C	26 kWh
8718696819319	MAS LEDtube 1500mm HO 26W 840 T5	-20 tot +45 °C	26 kWh
8718696819333	MAS LEDtube 1500mm HO 26W 865 T5	-20 tot +45 °C	26 kWh
8719514334373	MAS LEDtube 1500mm HE 20W 830 T5 EU	-20 tot +45 °C	20 kWh
8719514334397	MAS LEDtube 1500mm HE 20W 840 T5 EU	-20 tot +45 °C	20 kWh
8719514334410	MAS LEDtube 1500mm HE 20W 865 T5 EU	-20 tot +45 °C	20 kWh
8719514334311	MAS LEDtube 1200mm HE 16.5W 830 T5 EU	-20 tot +45 °C	17 kWh
8719514334335	MAS LEDtube 1200mm HE 16.5W 840 T5 EU	-20 tot +45 °C	17 kWh
8719514334359	MAS LEDtube 1200mm HE 16.5W 865 T5 EU	-20 tot +45 °C	17 kWh
8720169270626	MAS LEDtube 900mm HE 11.5W 830 T5 EU	-20 tot +45 °C	12 kWh
8720169270640	MAS LEDtube 900mm HE 11.5W 840 T5 EU	-20 tot +45 °C	12 kWh
8720169270664	MAS LEDtube 900mm HE 11.5W 865 T5 EU	-20 tot +45 °C	12 kWh
8720169275218	MAS LEDtube 600mm HO 10.5W 830 T5	-20 tot +45 °C	11 kWh
8720169275317	MAS LEDtube 600mm HO 10.5W 840 T5	-20 tot +45 °C	11 kWh
8720169275232	MAS LEDtube 600mm HO 10.5W 865 T5	-20 tot +45 °C	11 kWh
8720169275256	MAS LEDtube 900mm HO 18.5W 830 T5	-20 tot +45 °C	19 kWh
8720169275270	MAS LEDtube 900mm HO 18.5W 840 T5	-20 tot +45 °C	19 kWh

Order Code	Full Product Name	Bereik omgevingstemperatuur	Energieverbruik kWh/1.000 uur
8720169275294	MAS LEDtube 900mm HO 18.5W 865 T5	-20 tot +45 °C	19 kWh
8720169311695	MAS LEDtube 600mm HE 7W 830 T5 EU	-20 tot +45 °C	7 kWh
8720169306820	MAS LEDtube 600mm HE 7W 840 T5 EU	-20 tot +45 °C	7 kWh
8720169306844	MAS LEDtube 600mm HE 7W 865 T5 EU	-20 tot +45 °C	7 kWh



# MASTER LEDtube Mains T5

