



# LEDspot MR16 sehari-hari Anda

## Essential LED spot MR16

Essential LEDspot MR16 sesuai dengan hampir semua peralatan yang ada dengan soket GU5.3 dan didesain sebagai pengganti retrofit untuk halogen sorot. Essential LEDspot MR16 menghasilkan penghematan energi yang banyak dan investasi awal minimal.

### Benefits

- Hemat energi hingga 90% dibandingkan lampu halogen tradisional
- Biaya perawatan lebih rendah
- Investasi awal rendah

### Features

- Mudah dimodifikasi
- Masa pakai hingga 15.000 jam
- Tidak dapat diredupkan
- Lampu bebas UV dan IR

### Application

- Hotel, restoran, bar, kafe
- Lobi, koridor, tangga, kamar kecil, area resepsionis

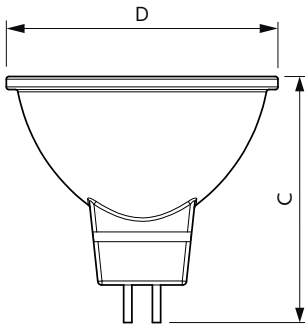
# Essential LED spot MR16

## Versions



5W (50W) GU5.3 cap Warm white  
Spot - RFT

## Dimensional drawing



Product	D	C
5W (50W) GU5.3 cap Cool daylight Non-dimmable Spot	50 mm	46 mm
5W (50W) GU5.3 cap Warm white Non-dimmable Spot	50 mm	46 mm
ESS LED MR16 3-35W 36D 830 SO 100-240V	50,5 mm	46,5 mm
ESS LED MR16 4.5-50W 36D 830 SO 100-240V	50,5 mm	46,5 mm
ESS LED MR16 4.5-50W 36D 865 SO 100-240V	50,5 mm	46,5 mm

Informasi Umum	
Tutup-Dasar	GU5.3
Siklus Sakelar	50.000
Nominal masa pakai	15.000 jam
Teknis Lampu	
Indeks renderasi warna (CRI)	80
LLMF di Akhir Masa Pakai Nominal (Nom)	70 %
Pengoperasian dan Kelistrikan	
Waktu Mulai (Nom)	0,5 s
Kontrol dan Peredupan	
Dapat diredupkan	Tidak
Mekanis dan Housing	
Bentuk Bohlam	MR16

## Informasi Umum

Order Code	Full Product Name	Nilai Masa Pakai (Jam)
929001240108	5W (50W) GU5.3 cap Warm white Non-dimmable Spot	15.000 jam
929001240208	5W (50W) GU5.3 cap Cool daylight Non-dimmable Spot	15.000 jam
929001874008	ESS LED MR16 4.5-50W 36D 830 SO 100-240V	-
929001874108	ESS LED MR16 4.5-50W 36D 865 SO 100-240V	-
929001874208	ESS LED MR16 3-35W 36D 830 SO 100-240V	-

## Teknis Lampu (1/2)

## Essential LED spot MR16

Order Code	Full Product Name	Sudut	Suhu Warna		
		Cahaya (Nom)	Terkorelasi (Nom)	Kode Warna	Flux Cahaya
929001240108	5W (50W) GU5.3 cap Warm white Non-dimmable Spot	24 °	2700 K	827	400 lm
929001240208	5W (50W) GU5.3 cap Cool daylight Non-dimmable Spot	24 °	6500 K	865	435 lm
929001874008	ESS LED MR16 4.5-50W 36D 830 SO 100-240V	36 °	3000 K	830	400 lm

Order Code	Full Product Name	Sudut	Suhu Warna		
		Cahaya (Nom)	Terkorelasi (Nom)	Kode Warna	Flux Cahaya
929001874108	ESS LED MR16 4.5-50W 36D 865 SO 100-240V	36 °	6500 K	865	400 lm
929001874208	ESS LED MR16 3-35W 36D 830 SO 100-240V	36 °	3000 K	830	230 lm

### Teknis Lampu (2/2)

Order Code	Full Product Name	Intensitas Cahaya (Nom)
929001240108	5W (50W) GU5.3 cap Warm white Non-dimmable Spot	1.700 cd
929001240208	5W (50W) GU5.3 cap Cool daylight Non-dimmable Spot	1.700 cd

Order Code	Full Product Name	Intensitas Cahaya (Nom)
929001874008	ESS LED MR16 4.5-50W 36D 830 SO 100-240V	700 cd
929001874108	ESS LED MR16 4.5-50W 36D 865 SO 100-240V	700 cd
929001874208	ESS LED MR16 3-35W 36D 830 SO 100-240V	550 cd

### Pengoperasian dan Kelistrikan

Order Code	Full Product Name	Frekuensi Input	Frekuensi Garis	Konsumsi Daya	Watt yang
					Setara
929001240108	5W (50W) GU5.3 cap Warm white Non-dimmable Spot	- Hz	- Hz	5 W	50 W
929001240208	5W (50W) GU5.3 cap Cool daylight Non-dimmable Spot	- Hz	- Hz	5 W	50 W
929001874008	ESS LED MR16 4.5-50W 36D 830 SO 100-240V	50 hingga 60 Hz	50 to 60 Hz	4,5 W	50 W

Order Code	Full Product Name	Frekuensi Input	Frekuensi Garis	Konsumsi Daya	Watt yang
					Setara
929001874108	ESS LED MR16 4.5-50W 36D 865 SO 100-240V	50 hingga 60 Hz	50 to 60 Hz	4,5 W	50 W
929001874208	ESS LED MR16 3-35W 36D 830 SO 100-240V	50 hingga 60 Hz	50 to 60 Hz	3 W	35 W

### Suhu

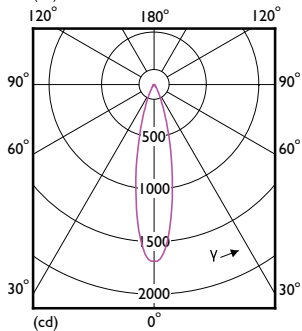
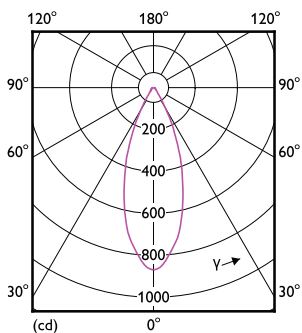
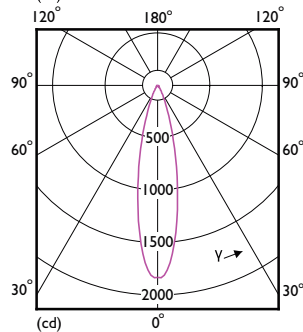
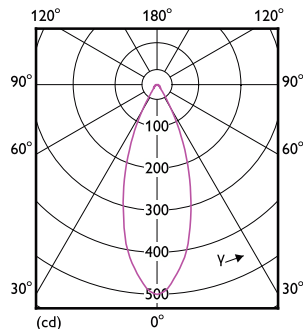
Order Code	Full Product Name	T-Case Maksimum (Nom)
929001240108	5W (50W) GU5.3 cap Warm white Non-dimmable Spot	76 °C
929001240208	5W (50W) GU5.3 cap Cool daylight Non-dimmable Spot	76 °C

Order Code	Full Product Name	T-Case Maksimum (Nom)
929001874008	ESS LED MR16 4.5-50W 36D 830 SO 100-240V	65 °C
929001874108	ESS LED MR16 4.5-50W 36D 865 SO 100-240V	65 °C
929001874208	ESS LED MR16 3-35W 36D 830 SO 100-240V	55 °C

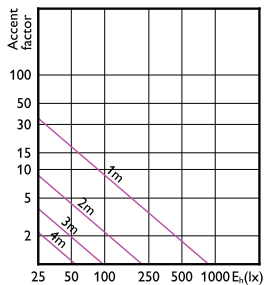
### Penyetujuan dan Aplikasi

# Essential LED spot MR16

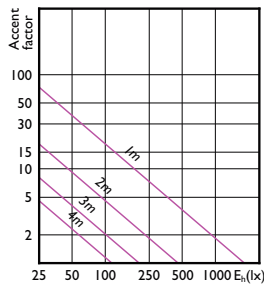
Order Code	Full Product Name	Kisaran suhu ambien	Penggunaan	
			Energi kWh/1000 h	
929001240108	5W (50W) GU5.3 cap Warm white Non-dimmable Spot	-20 hingga +45 °C	-	
929001240208	5W (50W) GU5.3 cap Cool daylight Non-dimmable Spot	-20 hingga +45 °C	-	
929001874008	ESS LED MR16 4.5-50W 36D 830 SO 100-240V	-20 hingga +40 °C	4,5 kWh	
929001874108	ESS LED MR16 4.5-50W 36D 865 SO 100-240V	-20 hingga +40 °C	4,5 kWh	
929001874208	ESS LED MR16 3-35W 36D 830 SO 100-240V	-20 hingga +40 °C	3 kWh	



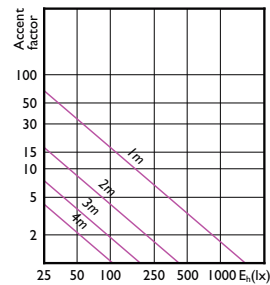
## Accent Diagrams



Accent Diagram - ESS LED MR16 4.5-50W 36D 865 SO 100-240V



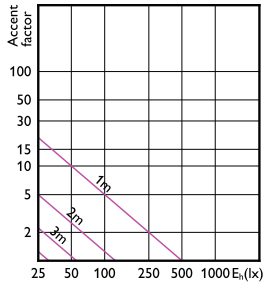
Accent Diagram - Essential LED 5-50W 6500K MR16 24D



Accent Diagram - Essential LED 5-50W 2700K MR16 24D

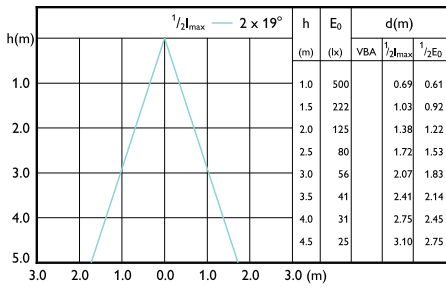
# Essential LED spot MR16

## Accent Diagrams

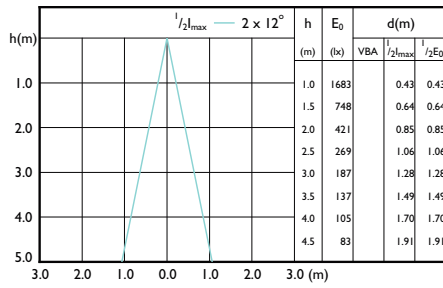


Accent Diagram - ESS LED MR16 3-35W 36D 830 SO 100-240V

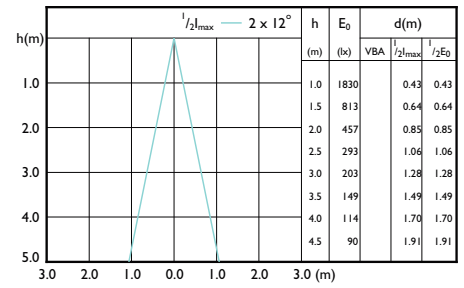
## Beam Diagrams



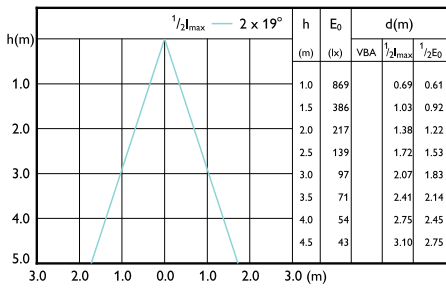
Beam diagram - ESS LED MR16 3-35W 36D 830 SO 100-240V



Beam diagram - Essential LED 5-50W 2700K MR16 24D



Beam diagram - Essential LED 5-50W 6500K MR16 24D



Beam diagram - ESS LED MR16 4.5-50W 36D 865 SO 100-240V

## Essential LED spot MR16

