



The new generation of energy-saving LED PLL tube lighting

CorePro LED PLL

Philips CorePro LED PLL is the ideal uplampping solution for downlights & luminaires in a wide range of general lighting applications. It integrates a LED light source into a traditional fluorescent form factor to offer superb energy savings over a lifetime that's twice as long as fluorescent alternatives.

Benefits

- Reduced operational cost thanks to a lower energy consumption than conventional PLL lamps, as well as lower maintenance cost thanks to a 2-3 times longer lifetime than conventional lamps
- Simple lamp-for-lamp replacement, re-using the existing fixture without major modifications, using a similar PLL form-factor
- Fastest and easiest way to upgrade existing luminaires to LED technology

Features

- High quality of light, no flickering nor stroboscopic effect
- Instant 100% light
- Choice of 3000 K, 4000 K & 6500 K

Application

- Hospitality
- Retail
- Office (stairways, corridors)
- Industrial areas

CorePro LED PLL

Versions



CorePro LED PLL HF Mains 16 5W
20250423



CorePro LED PLL HF Mains 12W
20250423



LEDtube PLL HF 24W 2G11 830 4P
24D ND

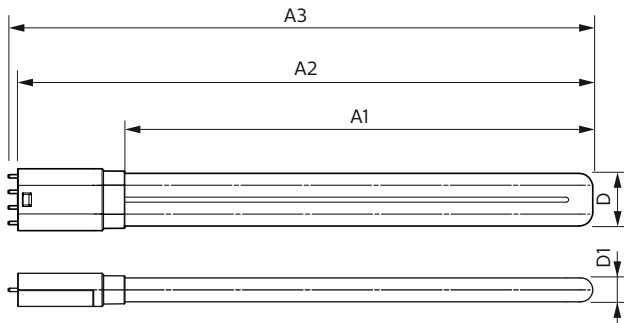
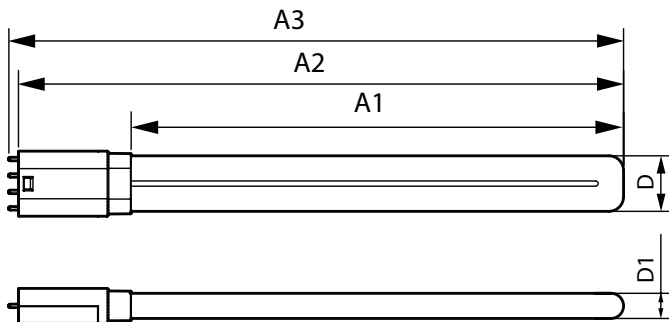
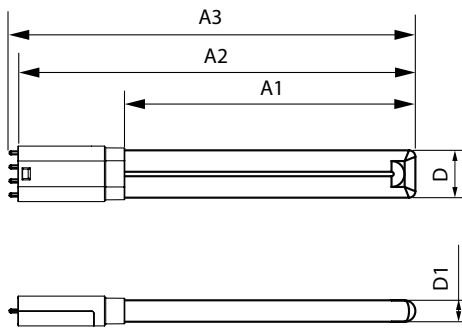


LEDtube COR PLL EU 12W 2G11



LEDtube COR PLL EU 8W 2G11

Dimensional drawing



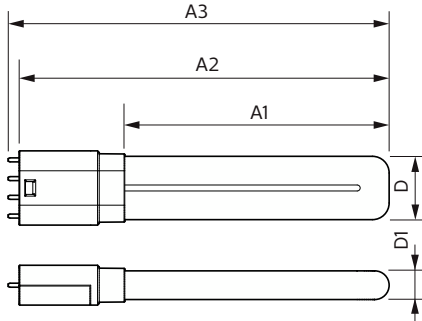
Product	D1	D	A1	A2	A3
CorePro LED PLL HF/Mains 12W 830 4P	17 mm	38 mm	228 mm	312 mm	319 mm
CorePro LED PLL HF/Mains 12W 840 4P	17 mm	38 mm	228 mm	312 mm	319 mm
CorePro LED PLL HF/Mains 16.5W 830 4P	17 mm	38 mm	290 mm	405 mm	412 mm
CorePro LED PLL HF/Mains 16.5W 840 4P	17 mm	38 mm	290 mm	405 mm	412 mm
CorePro LED PLL HF/Mains 24W 830 4P	17 mm	38 mm	413 mm	528 mm	535 mm
CorePro LED PLL HF/Mains 24W 840 4P	17 mm	38 mm	413 mm	528 mm	535 mm
CorePro LED PLL HF/Mains 8W 830 4P	17 mm	38 mm	134 mm	218 mm	224 mm
CorePro LED PLL HF/Mains 8W 840 4P	17 mm	38 mm	134 mm	218 mm	224 mm

Product	D1	D	A1	A2	A3
CorePro LED PLL HF 16.5W 830 4P 2G11	17 mm	38 mm	330 mm	405 mm	412 mm
CorePro LED PLL HF 16.5W 840 4P 2G11	17 mm	38 mm	330 mm	405 mm	412 mm
CorePro LED PLL HF 16.5W 865 4P 2G11	17 mm	38 mm	330 mm	405 mm	412 mm

Product	D1	D2	A1	A2	A3
CorePro LED PLL EM/Mains 12W 840 4P	17 mm	38 mm	250 mm	312 mm	319 mm
CorePro LED PLL HF 24W 830 4P 2G11	17 mm	38 mm	453 mm	528 mm	535 mm
CorePro LED PLL HF 24W 840 4P 2G11	17 mm	38 mm	453 mm	528 mm	535 mm
CorePro LED PLL HF 24W 865 4P 2G11	17 mm	38 mm	453 mm	528 mm	535 mm

CorePro LED PLL

Dimensional drawing



Product	D1	D2	A1	A2	A3
CorePro LED PLL EM/Mains 8W 840 4P	17 mm	38 mm	156 mm	218 mm	224 mm

General Information	
Cap-Base	2G11
Nominal lifetime	30,000 hour(s)
Light Technical	
Beam Angle (Nom)	160 degree(s)
LLMF At End Of Nominal Lifetime (Nom)	70 %
Operating and Electrical	
Starting Time (Nom)	0.5 s
Controls and Dimming	
Dimmable	No
Mechanical and Housing	
Bulb Finish	Frosted
Bulb Shape	PL-L

General Information

Order Code	Full Product Name	Switching Cycle
05095300	CorePro LED PLL HF/Mains 16.5W 830 4P	200,000
05097700	CorePro LED PLL HF/Mains 16.5W 840 4P	200,000
05099100	CorePro LED PLL HF/Mains 24W 830 4P	200,000
05101100	CorePro LED PLL HF/Mains 24W 840 4P	200,000
73966200	CorePro LED PLL HF 16.5W 830 4P 2G11	50,000
73974700	CorePro LED PLL HF 16.5W 840 4P 2G11	50,000
73976100	CorePro LED PLL HF 16.5W 865 4P 2G11	50,000
05091500	CorePro LED PLL HF/Mains 12W 830 4P	200,000
05093900	CorePro LED PLL HF/Mains 12W 840 4P	200,000
05087800	CorePro LED PLL HF/Mains 8W 830 4P	200,000
05089200	CorePro LED PLL HF/Mains 8W 840 4P	200,000
82839700	CorePro LED PLL HF 24W 830 4P 2G11	50,000
82841000	CorePro LED PLL HF 24W 840 4P 2G11	50,000
82843400	CorePro LED PLL HF 24W 865 4P 2G11	50,000
15705700	CorePro LED PLL EM/Mains 12W 840 4P	200,000
15701900	CorePro LED PLL EM/Mains 8W 840 4P	200,000

Light Technical

Order Code	Full Product Name	Correlated			
		Color Temperature (Nom)	Color rendering index (CRI)	Color Code	Luminous Flux
05095300	CorePro LED PLL HF/Mains 16.5W 830 4P	3000 K	80	830	2,000 lm
05097700	CorePro LED PLL HF/Mains 16.5W 840 4P	4000 K	80	840	2,100 lm
05099100	CorePro LED PLL HF/Mains 24W 830 4P	3000 K	80	830	3,200 lm
05101100	CorePro LED PLL HF/Mains 24W 840 4P	4000 K	80	840	3,400 lm

Order Code	Full Product Name	Correlated			
		Color Temperature (Nom)	Color rendering index (CRI)	Color Code	Luminous Flux
73966200	CorePro LED PLL HF 16.5W 830 4P 2G11	3000 K	83	830	2,000 lm
73974700	CorePro LED PLL HF 16.5W 840 4P 2G11	4000 K	83	840	2,100 lm
73976100	CorePro LED PLL HF 16.5W 865 4P 2G11	6500 K	83	865	2,100 lm
05091500	CorePro LED PLL HF/Mains 12W 830 4P	3000 K	80	830	1,440 lm
05093900	CorePro LED PLL HF/Mains 12W 840 4P	4000 K	80	840	1,500 lm

CorePro LED PLL

Order Code	Full Product Name	Correlated			
		Color Temperature (Nom)	Color rendering index (CRI)	Color Code	Luminous Flux
05087800	CorePro LED PLL HF/Mains 8W 830 4P	3000 K	80	830	960 lm
05089200	CorePro LED PLL HF/Mains 8W 840 4P	4000 K	80	840	1,000 lm
82839700	CorePro LED PLL HF 24W 830 4P 2G11	3000 K	83	830	3,200 lm
82841000	CorePro LED PLL HF 24W 840 4P 2G11	4000 K	83	840	3,400 lm

Order Code	Full Product Name	Correlated			
		Color Temperature (Nom)	Color rendering index (CRI)	Color Code	Luminous Flux
82843400	CorePro LED PLL HF 24W 865 4P 2G11	6500 K	83	865	3,400 lm
15705700	CorePro LED PLL EM/Mains 12W 840 4P	4000 K	80	840	1,500 lm
15701900	CorePro LED PLL EM/Mains 8W 840 4P	4000 K	80	840	1,000 lm

Operating and Electrical

Order Code	Full Product Name	Input		Power Consumption	Wattage Equivalent
		Frequency	Line Frequency		
05095300	CorePro LED PLL HF/Mains 16.5W 830 4P	50 to 60 Hz	-	16.5 W	36 W
05097700	CorePro LED PLL HF/Mains 16.5W 840 4P	50 to 60 Hz	-	16.5 W	36 W
05099100	CorePro LED PLL HF/Mains 24W 830 4P	50 to 60 Hz	-	24 W	55 W
05101100	CorePro LED PLL HF/Mains 24W 840 4P	50 to 60 Hz	-	24 W	55 W
73966200	CorePro LED PLL HF 16.5W 830 4P 2G11	39000-71000 Hz	39000-71000 Hz	16.5 W	-
73974700	CorePro LED PLL HF 16.5W 840 4P 2G11	39000-71000 Hz	39000-71000 Hz	16.5 W	-
73976100	CorePro LED PLL HF 16.5W	39000-71000 Hz	39000-71000 Hz	16.5 W	-

Order Code	Full Product Name	Input		Power Consumption	Wattage Equivalent
		Frequency	Line Frequency		
	865 4P 2G11				
05091500	CorePro LED PLL HF/Mains 12W 830 4P	50 to 60 Hz	-	12 W	24 W
05093900	CorePro LED PLL HF/Mains 12W 840 4P	50 to 60 Hz	-	12 W	24 W
05087800	CorePro LED PLL HF/Mains 8W 830 4P	50 to 60 Hz	-	8 W	18 W
05089200	CorePro LED PLL HF/Mains 8W 840 4P	50 to 60 Hz	-	8 W	18 W
82839700	CorePro LED PLL HF 24W 830 4P 2G11	20000-70000 Hz	20000-70000 Hz	24 W	-
82841000	CorePro LED PLL HF 24W 840 4P 2G11	20000-70000 Hz	20000-70000 Hz	24 W	-
82843400	CorePro LED PLL HF 24W	20000-70000 Hz	20000-70000 Hz	24 W	-

CorePro LED PLL

Order Code	Full Product Name	Input Frequency	Line Frequency	Power Consumption	Wattage Equivalent
	865 4P 2G11				
15705700	CorePro LED PLL EM/Mains	50 to 60 Hz	50 to 60 Hz	12 W	-

Order Code	Full Product Name	Input Frequency	Line Frequency	Power Consumption	Wattage Equivalent
	12W 840 4P				
15701900	CorePro LED PLL EM/Mains	50 to 60 Hz	50 to 60 Hz	8 W	-
	8W 840 4P				

Temperature

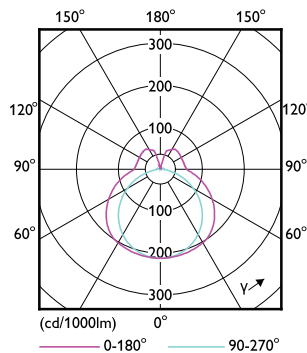
Order Code	Full Product Name	T-Case Maximum (Nom)
05095300	CorePro LED PLL HF/Mains 16.5W 830 4P	65 °C
05097700	CorePro LED PLL HF/Mains 16.5W 840 4P	65 °C
05099100	CorePro LED PLL HF/Mains 24W 830 4P	65 °C
05101100	CorePro LED PLL HF/Mains 24W 840 4P	65 °C
73966200	CorePro LED PLL HF 16.5W 830 4P 2G11	70 °C
73974700	CorePro LED PLL HF 16.5W 840 4P 2G11	70 °C
73976100	CorePro LED PLL HF 16.5W 865 4P 2G11	70 °C
05091500	CorePro LED PLL HF/Mains 12W 830 4P	65 °C

Order Code	Full Product Name	T-Case Maximum (Nom)
05093900	CorePro LED PLL HF/Mains 12W 840 4P	65 °C
05087800	CorePro LED PLL HF/Mains 8W 830 4P	65 °C
05089200	CorePro LED PLL HF/Mains 8W 840 4P	65 °C
82839700	CorePro LED PLL HF 24W 830 4P 2G11	70 °C
82841000	CorePro LED PLL HF 24W 840 4P 2G11	70 °C
82843400	CorePro LED PLL HF 24W 865 4P 2G11	70 °C
15705700	CorePro LED PLL EM/Mains 12W 840 4P	70 °C
15701900	CorePro LED PLL EM/Mains 8W 840 4P	70 °C

Approval and Application

Order Code	Full Product Name	Ambient temperature range	Energy Consumption kWh/1000 h
05095300	CorePro LED PLL HF/Mains 16.5W 830 4P	-20 to +45 °C	17 kWh
05097700	CorePro LED PLL HF/Mains 16.5W 840 4P	-20 to +45 °C	17 kWh
05099100	CorePro LED PLL HF/Mains 24W 830 4P	-20 to +45 °C	24 kWh
05101100	CorePro LED PLL HF/Mains 24W 840 4P	-20 to +45 °C	24 kWh
73966200	CorePro LED PLL HF 16.5W 830 4P 2G11	-20 °C to 45 °C	17 kWh
73974700	CorePro LED PLL HF 16.5W 840 4P 2G11	-20 °C to 45 °C	17 kWh
73976100	CorePro LED PLL HF 16.5W 865 4P 2G11	-20 °C to 45 °C	17 kWh
05091500	CorePro LED PLL HF/Mains 12W 830 4P	-20 to +45 °C	12 kWh
05093900	CorePro LED PLL HF/Mains 12W 840 4P	-20 to +45 °C	12 kWh
05087800	CorePro LED PLL HF/Mains 8W 830 4P	-20 to +45 °C	8 kWh
05089200	CorePro LED PLL HF/Mains 8W 840 4P	-20 to +45 °C	8 kWh
82839700	CorePro LED PLL HF 24W 830 4P 2G11	-20 °C to 45 °C	24 kWh

Order Code	Full Product Name	Ambient temperature range	Energy Consumption kWh/1000 h
82841000	CorePro LED PLL HF 24W 840 4P 2G11	-20 °C to 45 °C	24 kWh
82843400	CorePro LED PLL HF 24W 865 4P 2G11	-20 °C to 45 °C	24 kWh
15705700	CorePro LED PLL EM/Mains 12W 840 4P	-20 °C to 45 °C	12 kWh
15701900	CorePro LED PLL EM/Mains 8W 840 4P	-20 °C to 45 °C	8 kWh



CorePro LED PLL

