

PHILIPS

Lighting



Multiple installation, different shape, full CCT, Full size range

SmartBright CNG Downlight DN058

SmartBright CNG downlight series products offer reliable lighting performance with long lifetime and meet all the IEC safety regulation requirements. Products have multiple installation, including both recessed and surface mount. Products also have different shapes as options, round and square shape can meet different customer's requirement. Products have three CCT options with different cut out solutions. Products have no harm to eyes and give eyeconfort experience.

Benefits

- Long lifetime 35khrs , PF0.5, 75lm/W efficacy and full range of 3 CCT and cut-off from D75/D100/D150/D200/D275.
- Simple and simplify design

Features

- cut out: D75-80/D90-100/D150/D200/D275
- CCT: 3000K, 4000K, 6500K
- Lumen efficacy: min 80lm/W
- CRI80
- PF0.5
- CB/CE
- Lumen output: 350/600/1200/1800/2200lm
- Lifetime: up to 35k hrs @L70B50
- Working temperature: -20°C to +40°C

Application

- Hotels
- Shopping mall
- Hospitality

SmartBright CNG Downlight DN058

Versions



SmartBright CNG Downlight DN058

SmartBright CNG Downlight DN058

SmartBright CNG Downlight DN058

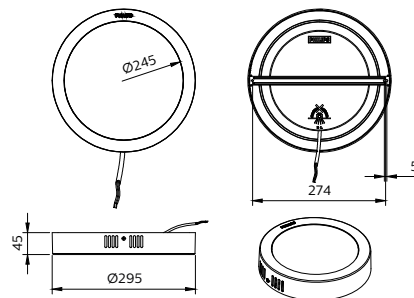
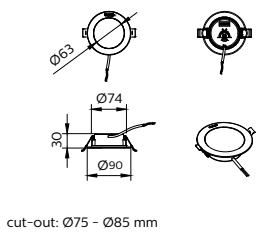
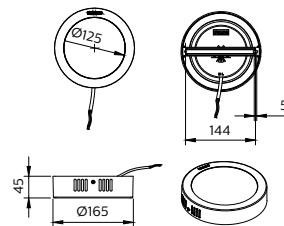
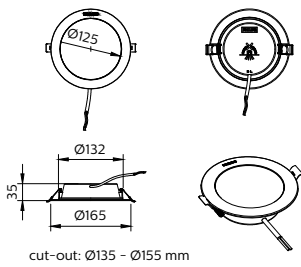
SmartBright CNG Downlight DN058



SmartBright CNG Downlight DN058

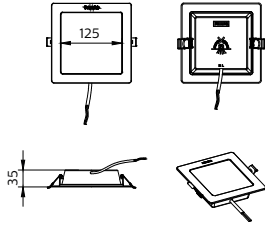
SmartBright CNG Downlight DN058

Dimensional drawing

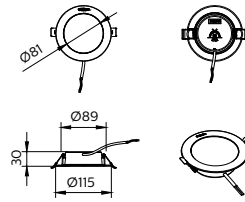


SmartBright CNG Downlight DN058

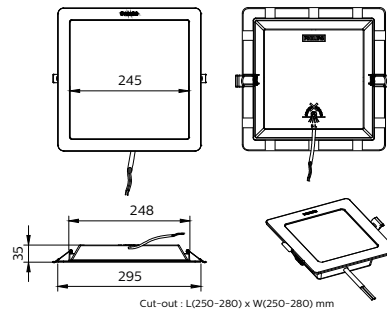
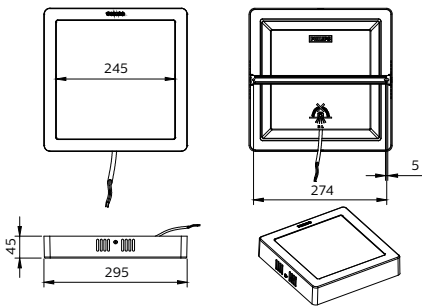
Dimensional drawing



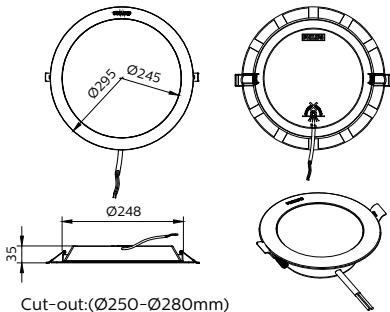
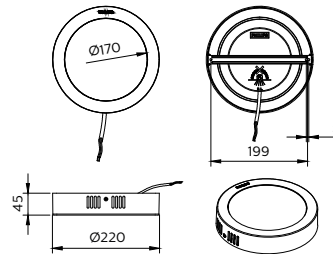
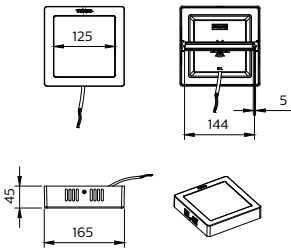
Cut-out : L(135-155) x W(135-155) mm



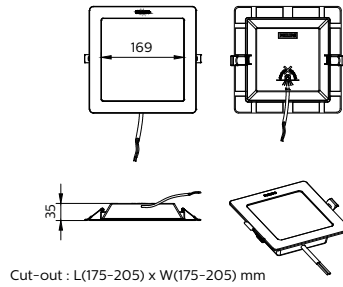
cut-out: Ø90 - Ø105 mm



Cut-out : L(250-280) x W(250-280) mm



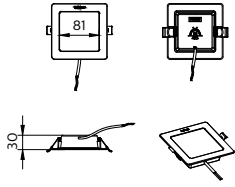
Cut-out:(Ø250-Ø280mm)



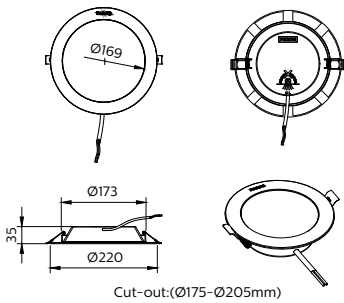
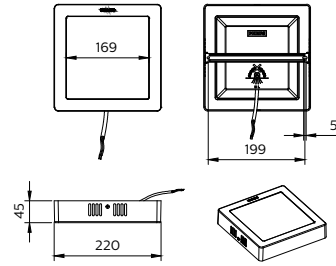
Cut-out : L(175-205) x W(175-205) mm

SmartBright CNG Downlight DN058

Dimensional drawing



Cut-out : L(90-105) x W(90-105) mm



Cut-out:($\text{Ø}175$ - $\text{Ø}205$ mm)

SmartBright CNG Downlight DN058

General Information

Driver included	Yes
Gear	EB
Number of gear units	1 unit

Light Technical

Beam angle of light source	110 degree(s)
Color rendering index (CRI)	>80
Number of light sources	1
Optic type	Symmetric 110°

Operating and Electrical

Protection class IEC	Safety class II
Input Voltage	220-240 V
Line Frequency	50 or 60 Hz
Suitable for random switching	No

Controls and Dimming

Dimmable	No
Maximum dim level	Not applicable

Mechanical and Housing

Optical cover type	PS
Housing Color	White RAL 9003
Mech. impact protection code	IK03
Ingress protection code	IP20

Approval and Application

Ambient temperature range	-20 °C to 40 °C
CE mark	Yes
ENEC mark	-
Flammability mark	For mounting on normally flammable surfaces
Glow-wire test	Temperature 650 °C, duration 30 s

Light Technical

Order Code	Full Product Name	Correlated Color	Luminous Efficacy	
		Temperature (Nom)	(rated) (Nom)	Luminous Flux
911401808188	DN058B LED20/830 220-240V L275 SQ	3000 K	85 lm/W	2,045 lm
911401808288	DN058B LED22/840 220-240V L275 SQ	4000 K	92 lm/W	2,200 lm
911401808388	DN058B LED22/865 220-240V L275 SQ	6500 K	92 lm/W	2,200 lm
911401805188	DN058B LED5/830 220-240V L100 SQ	3000 K	87 lm/W	540 lm
911401805288	DN058B LED6/840 220-240V L100 SQ	4000 K	94 lm/W	600 lm
911401805388	DN058B LED6/865 220-240V L100 SQ	6500 K	94 lm/W	600 lm
911401806688	DN058B LED17/830 220-240V D200 RD	3000 K	99 lm/W	1,675 lm
911401806788	DN058B LED18/840 220-240V D200 RD	4000 K	106 lm/W	1,800 lm
911401806888	DN058B LED18/865 220-240V D200 RD	6500 K	106 lm/W	1,800 lm
911401807588	DN058C LED17/830 220-240V L200 SQ	3000 K	99 lm/W	1,675 lm
911401807688	DN058C LED18/840 220-240V L200 SQ	4000 K	106 lm/W	1,800 lm
911401807788	DN058C LED18/865 220-240V L200 SQ	6500 K	106 lm/W	1,800 lm
911401805488	DN058B LED12/830 220-240V D150 RD	3000 K	101 lm/W	1,160 lm
911401805588	DN058B LED13/840 220-240V D150 RD	4000 K	109 lm/W	1,250 lm
911401805688	DN058B LED13/865 220-240V D150 RD	6500 K	109 lm/W	1,250 lm
911401805788	DN058B LED12/830 220-240V L150 SQ	3000 K	97 lm/W	1,115 lm
911401805888	DN058B LED13/840 220-240V L150 SQ	4000 K	104 lm/W	1,200 lm
911401805988	DN058B LED13/865 220-240V L150 SQ	6500 K	104 lm/W	1,200 lm
911401807888	DN058B LED20/830 220-240V D275 RD	3000 K	85 lm/W	2,045 lm
911401807988	DN058B LED22/840 220-240V D275 RD	4000 K	92 lm/W	2,200 lm
911401808088	DN058B LED22/865 220-240V D275 RD	6500 K	92 lm/W	2,200 lm
911401808788	DN058C LED20/830 220-240V L275 SQ	3000 K	85 lm/W	2,045 lm
911401808888	DN058C LED22/840 220-240V L275 SQ	4000 K	92 lm/W	2,200 lm
911401808988	DN058C LED22/865 220-240V L275 SQ	6500 K	92 lm/W	2,200 lm
911401808488	DN058C LED20/830 220-240V D275 RD	3000 K	85 lm/W	2,045 lm

SmartBright CNG Downlight DN058

Order Code	Full Product Name	Correlated Color	Luminous Efficacy	
		Temperature (Nom)	(rated) (Nom)	Luminous Flux
911401808588	DN058C LED22/840 220-240V D275 RD	4000 K	92 lm/W	2,200 lm
911401808688	DN058C LED22/865 220-240V D275 RD	6500 K	92 lm/W	2,200 lm
911401806988	DN058B LED17/830 220-240V L200 SQ	3000 K	99 lm/W	1,675 lm
911401807088	DN058B LED18/840 220-240V L200 SQ	4000 K	106 lm/W	1,800 lm
911401807188	DN058B LED18/865 220-240V L200 SQ	6500 K	106 lm/W	1,800 lm
911401807288	DN058C LED17/830 220-240V D200 RD	3000 K	99 lm/W	1,675 lm
911401807388	DN058C LED18/840 220-240V D200 RD	4000 K	106 lm/W	1,800 lm
911401807488	DN058C LED18/865 220-240V D200 RD	6500 K	106 lm/W	1,800 lm
911401804588	DN058B LED3/830 220-240V D80 RD	3000 K	74 lm/W	325 lm
911401804688	DN058B LED4/840 220-240V D80 RD	4000 K	80 lm/W	350 lm
911401804788	DN058B LED4/865 220-240V D80 RD	6500 K	80 lm/W	350 lm
911401806088	DN058C LED12/830 220-240V D150 RD	3000 K	101 lm/W	1,160 lm
911401806188	DN058C LED13/840 220-240V D150 RD	4000 K	109 lm/W	1,250 lm
911401806288	DN058C LED13/865 220-240V D150 RD	6500 K	109 lm/W	1,250 lm
911401806388	DN058C LED12/830 220-240V L150 SQ	3000 K	97 lm/W	1,115 lm
911401806488	DN058C LED13/840 220-240V L150 SQ	4000 K	104 lm/W	1,200 lm
911401806588	DN058C LED13/865 220-240V L150 SQ	6500 K	104 lm/W	1,200 lm
911401804888	DN058B LED5/830 220-240V D100 RD	3000 K	87 lm/W	540 lm
911401804988	DN058B LED6/840 220-240V D100 RD	4000 K	94 lm/W	600 lm
911401805088	DN058B LED6/865 220-240V D100 RD	6500 K	94 lm/W	600 lm

Operating and Electrical

Order Code	Full Product Name	Power Consumption	Order Code	Full Product Name	Power Consumption
911401808188	DN058B LED20/830 220-240V L275 SQ	24 W	911401806788	DN058B LED18/840 220-240V D200 RD	17 W
911401808288	DN058B LED22/840 220-240V L275 SQ	24 W	911401806888	DN058B LED18/865 220-240V D200 RD	17 W
911401808388	DN058B LED22/865 220-240V L275 SQ	24 W	911401807588	DN058C LED17/830 220-240V L200 SQ	17 W
911401805188	DN058B LED5/830 220-240V L100 SQ	6.2 W	911401807688	DN058C LED18/840 220-240V L200 SQ	17 W
911401805288	DN058B LED6/840 220-240V L100 SQ	6.2 W	911401807788	DN058C LED18/865 220-240V L200 SQ	17 W
911401805388	DN058B LED6/865 220-240V L100 SQ	6.2 W	911401805488	DN058B LED12/830 220-240V D150 RD	11.5 W
911401806688	DN058B LED17/830 220-240V D200 RD	17 W	911401805588	DN058B LED13/840 220-240V D150 RD	11.5 W

SmartBright CNG Downlight DN058

Order Code	Full Product Name	Power Consumption
911401805688	DN058B LED13/865 220-240V D150 RD	11.5 W
911401805788	DN058B LED12/830 220-240V L150 SQ	11.5 W
911401805888	DN058B LED13/840 220-240V L150 SQ	11.5 W
911401805988	DN058B LED13/865 220-240V L150 SQ	11.5 W
911401807888	DN058B LED20/830 220-240V D275 RD	24 W
911401807988	DN058B LED22/840 220-240V D275 RD	24 W
911401808088	DN058B LED22/865 220-240V D275 RD	24 W
911401808788	DN058C LED20/830 220-240V L275 SQ	24 W
911401808888	DN058C LED22/840 220-240V L275 SQ	24 W
911401808988	DN058C LED22/865 220-240V L275 SQ	24 W
911401808488	DN058C LED20/830 220-240V D275 RD	24 W
911401808588	DN058C LED22/840 220-240V D275 RD	24 W
911401808688	DN058C LED22/865 220-240V D275 RD	24 W
911401806988	DN058B LED17/830 220-240V L200 SQ	17 W
911401807088	DN058B LED18/840 220-240V L200 SQ	17 W
911401807188	DN058B LED18/865 220-240V L200 SQ	17 W

Order Code	Full Product Name	Power Consumption
911401807288	DN058C LED17/830 220-240V D200 RD	17 W
911401807388	DN058C LED18/840 220-240V D200 RD	17 W
911401807488	DN058C LED18/865 220-240V D200 RD	17 W
911401804588	DN058B LED3/830 220-240V D80 RD	4.4 W
911401804688	DN058B LED4/840 220-240V D80 RD	4.4 W
911401804788	DN058B LED4/865 220-240V D80 RD	4.4 W
911401806088	DN058C LED12/830 220-240V D150 RD	11.5 W
911401806188	DN058C LED13/840 220-240V D150 RD	11.5 W
911401806288	DN058C LED13/865 220-240V D150 RD	11.5 W
911401806388	DN058C LED12/830 220-240V L150 SQ	11.5 W
911401806488	DN058C LED13/840 220-240V L150 SQ	11.5 W
911401806588	DN058C LED13/865 220-240V L150 SQ	11.5 W
911401804888	DN058B LED5/830 220-240V D100 RD	6.2 W
911401804988	DN058B LED6/840 220-240V D100 RD	6.2 W
911401805088	DN058B LED6/865 220-240V D100 RD	6.2 W

Initial Performance (IEC Compliant)

Order Code	Full Product Name	Initial chromaticity	Luminous flux
			tolerance
911401808188	DN058B LED20/830 220-240V L275 SQ	(0.43,0.40) SDCM≤6	-10%,+15%
911401808288	DN058B LED22/840 220-240V L275 SQ	(0.38,0.38) SDCM≤6	-10%,+15%
911401808388	DN058B LED22/865 220-240V L275 SQ	(0.31,0.33) SDCM≤6	-10%,+15%
911401805188	DN058B LED5/830 220-240V L100 SQ	(0.43,0.40) SDCM≤6	-10%,+15%
911401805288	DN058B LED6/840 220-240V L100 SQ	(0.38,0.38) SDCM≤6	-10%,+15%
911401805388	DN058B LED6/865 220-240V L100 SQ	(0.31,0.33) SDCM≤6	-10%,+15%
911401806688	DN058B LED17/830 220-240V D200 RD	(0.43,0.40) SDCM≤6	+/-10%
911401806788	DN058B LED18/840 220-240V D200 RD	(0.38,0.38) SDCM≤6	+/-10%
911401806888	DN058B LED18/865 220-240V D200 RD	(0.31,0.33) SDCM≤6	+/-10%
911401807588	DN058C LED17/830 220-240V L200 SQ	(0.43,0.40) SDCM≤6	-10%,+15%
911401807688	DN058C LED18/840 220-240V L200 SQ	(0.38,0.38) SDCM≤6	-10%,+15%
911401807788	DN058C LED18/865 220-240V L200 SQ	(0.31,0.33) SDCM≤6	-10%,+15%
911401805488	DN058B LED12/830 220-240V D150 RD	(0.43,0.40) SDCM≤6	+/-10%
911401805588	DN058B LED13/840 220-240V D150 RD	(0.38,0.38) SDCM≤6	+/-10%
911401805688	DN058B LED13/865 220-240V D150 RD	(0.31,0.33) SDCM≤6	+/-10%

Order Code	Full Product Name	Initial chromaticity	Luminous flux
			tolerance
911401805788	DN058B LED12/830 220-240V L150 SQ	(0.43,0.40) SDCM≤6	-10%,+15%
911401805888	DN058B LED13/840 220-240V L150 SQ	(0.38,0.38) SDCM≤6	-10%,+15%
911401805988	DN058B LED13/865 220-240V L150 SQ	(0.31,0.33) SDCM≤6	-10%,+15%
911401807888	DN058B LED20/830 220-240V D275 RD	(0.43,0.40) SDCM≤6	+/-10%
911401807988	DN058B LED22/840 220-240V D275 RD	(0.38,0.38) SDCM≤6	+/-10%
911401808088	DN058B LED22/865 220-240V D275 RD	(0.31,0.33) SDCM≤6	+/-10%
911401808788	DN058C LED20/830 220-240V L275 SQ	(0.43,0.40) SDCM≤6	-10%,+15%
911401808888	DN058C LED22/840 220-240V L275 SQ	(0.38,0.38) SDCM≤6	-10%,+15%
911401808988	DN058C LED22/865 220-240V L275 SQ	(0.31,0.33) SDCM≤6	-10%,+15%
911401808488	DN058C LED20/830 220-240V D275 RD	(0.43,0.40) SDCM≤6	+/-10%
911401808588	DN058C LED22/840 220-240V D275 RD	(0.38,0.38) SDCM≤6	+/-10%
911401808688	DN058C LED22/865 220-240V D275 RD	(0.31,0.33) SDCM≤6	+/-10%
911401806988	DN058B LED17/830 220-240V L200 SQ	(0.43,0.40) SDCM≤6	-10%,+15%
911401807088	DN058B LED18/840 220-240V L200 SQ	(0.38,0.38) SDCM≤6	-10%,+15%
911401807188	DN058B LED18/865 220-240V L200 SQ	(0.31,0.33) SDCM≤6	-10%,+15%

SmartBright CNG Downlight DN058

Order Code	Full Product Name	Initial chromaticity	Luminous flux tolerance
911401807288	DN058C LED17/830 220-240V D200 RD	(0.43,0.40) SDCM \leq 6	+/-10%
911401807388	DN058C LED18/840 220-240V D200 RD	(0.38,0.38) SDCM \leq 6	+/-10%
911401807488	DN058C LED18/865 220-240V D200 RD	(0.31,0.33) SDCM \leq 6	+/-10%
911401804588	DN058B LED3/830 220-240V D80 RD	(0.43,0.40) SDCM \leq 6	+/-10%
911401804688	DN058B LED4/840 220-240V D80 RD	(0.38,0.38) SDCM \leq 6	+/-10%
911401804788	DN058B LED4/865 220-240V D80 RD	(0.31,0.33) SDCM \leq 6	+/-10%
911401806088	DN058C LED12/830 220-240V D150 RD	(0.43,0.40) SDCM \leq 6	+/-10%
911401806188	DN058C LED13/840 220-240V D150 RD	(0.38,0.38) SDCM \leq 6	+/-10%

Order Code	Full Product Name	Initial chromaticity	Luminous flux tolerance
911401806288	DN058C LED13/865 220-240V D150 RD	(0.31,0.33) SDCM \leq 6	+/-10%
911401806388	DN058C LED12/830 220-240V L150 SQ	(0.43,0.40) SDCM \leq 6	-10%,+15%
911401806488	DN058C LED13/840 220-240V L150 SQ	(0.38,0.38) SDCM \leq 6	-10%,+15%
911401806588	DN058C LED13/865 220-240V L150 SQ	(0.31,0.33) SDCM \leq 6	-10%,+15%
911401804888	DN058B LED5/830 220-240V D100 RD	(0.43,0.40) SDCM \leq 6	+/-10%
911401804988	DN058B LED6/840 220-240V D100 RD	(0.38,0.38) SDCM \leq 6	+/-10%
911401805088	DN058B LED6/865 220-240V D100 RD	(0.31,0.33) SDCM \leq 6	+/-10%

