



Multiple installation, different shape, full CCT, Full size range

SmartBright CNG Downlight DN058

SmartBright CNG downlight series products offer reliable lighting performance with long lifetime and meet all the IEC safety regulation requirements. Products have multiple installation, including both recessed and surface mount. Products also have different shapes as options, round and square shape can meet different customer's requirement. Products have three CCT options with different cut out solutions. Products have no harm to eyes and give eyeconfort experience.

Benefits

- Long lifetime 35khrs , PF0.5, 75lm/W efficacy and full range of 3 CCT and cut-off from D75/D100/D150/D200/D275.
- Simple and simplify design

Features

- cut out: D75-80/D90-100/D150/D200/D275
- CCT: 3000K, 4000K, 6500K
- Lumen efficacy: min 80lm/W
- CRI80
- PF0.5
- CB/CE
- Lumen output: 350/600/1200/1800/2200lm
- Lifetime: up to 35k hrs @L70B50
- Working temperature: -20°C to +40°C

Application

- Hotels
- Shopping mall
- Hospitality

SmartBright CNG Downlight DN058

Versions



SmartBright CNG Downlight DN058

SmartBright CNG Downlight DN058

SmartBright CNG Downlight DN058

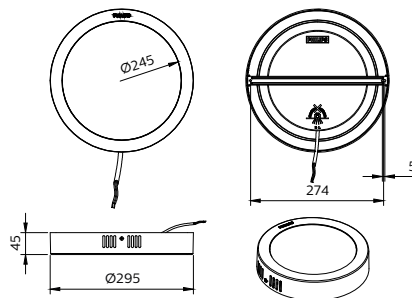
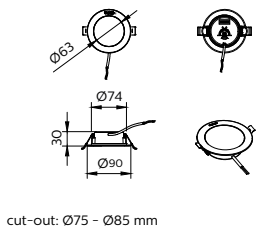
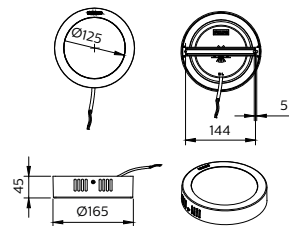
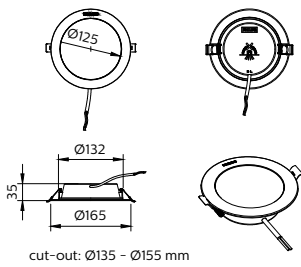
SmartBright CNG Downlight DN058



SmartBright CNG Downlight DN058

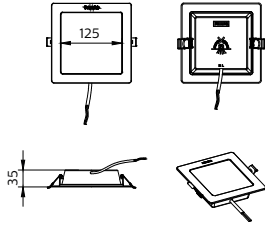
SmartBright CNG Downlight DN058

Dimensional drawing

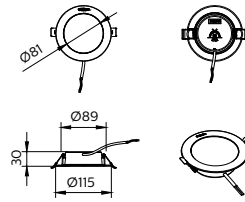


SmartBright CNG Downlight DN058

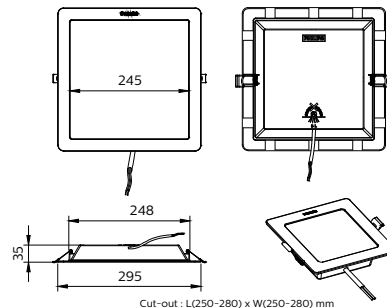
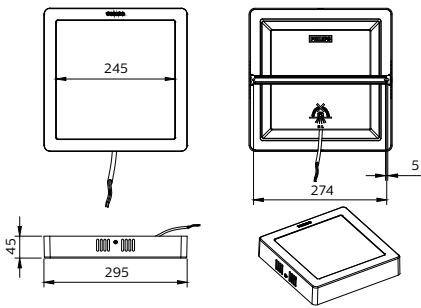
Dimensional drawing



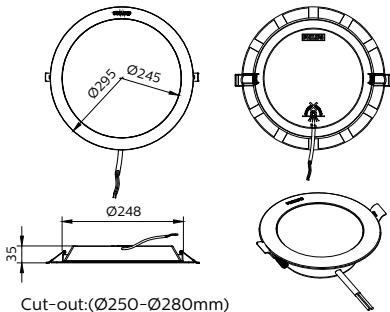
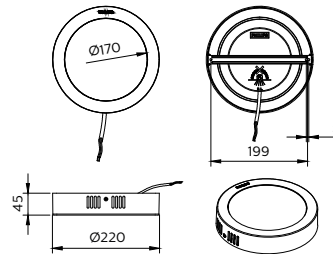
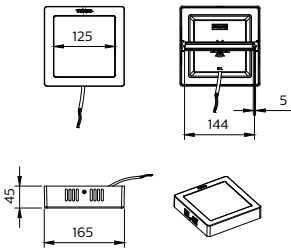
Cut-out : L(135-155) x W(135-155) mm



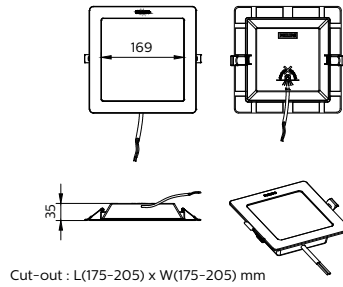
cut-out: Ø90 - Ø105 mm



Cut-out : L(250-280) x W(250-280) mm



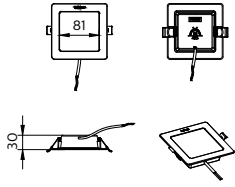
Cut-out:(Ø250-Ø280mm)



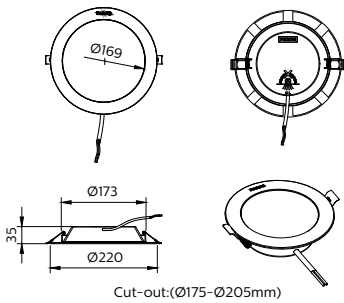
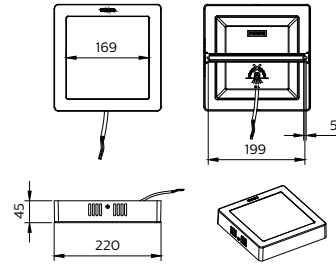
Cut-out : L(175-205) x W(175-205) mm

SmartBright CNG Downlight DN058

Dimensional drawing



Cut-out : L(90-105) x W(90-105) mm



Cut-out:($\text{Ø}175$ - $\text{Ø}205$ mm)

SmartBright CNG Downlight DN058

General Information

Driver included	Yes
Gear	EB
Number of gear units	1 unit

Light Technical

Beam angle of light source	110 degree(s)
Color rendering index (CRI)	>80
Number of light sources	1
Optic type	Symmetric 110°

Operating and Electrical

Protection class IEC	Safety class II
Input Voltage	220-240 V
Line Frequency	50 or 60 Hz
Suitable for random switching	No

Controls and Dimming

Dimmable	No
Maximum dim level	Not applicable

Mechanical and Housing

Optical cover type	PS
Housing Color	White RAL 9003
Mech. impact protection code	IK03
Ingress protection code	IP20

Approval and Application

Ambient temperature range	-20 °C to 40 °C
CE mark	Yes
ENEC mark	-
Flammability mark	For mounting on normally flammable surfaces
Glow-wire test	Temperature 650 °C, duration 30 s

Light Technical

Order Code	Full Product Name	Correlated Color Temperature (Nom)	Luminous Efficacy (rated) (Nom)	Luminous Flux
31884899	DN058B LED20/830 220-240V L275 SQ	3000 K	85 lm/W	2,045 lm
31885599	DN058B LED22/840 220-240V L275 SQ	4000 K	92 lm/W	2,200 lm
31886299	DN058B LED22/865 220-240V L275 SQ	6500 K	92 lm/W	2,200 lm
31854199	DN058B LED5/830 220-240V L100 SQ	3000 K	87 lm/W	540 lm
31855899	DN058B LED6/840 220-240V L100 SQ	4000 K	94 lm/W	600 lm
31856599	DN058B LED6/865 220-240V L100 SQ	6500 K	94 lm/W	600 lm
31869599	DN058B LED17/830 220-240V D200 RD	3000 K	99 lm/W	1,675 lm
31870199	DN058B LED18/840 220-240V D200 RD	4000 K	106 lm/W	1,800 lm
31871899	DN058B LED18/865 220-240V D200 RD	6500 K	106 lm/W	1,800 lm
31878799	DN058C LED17/830 220-240V L200 SQ	3000 K	99 lm/W	1,675 lm
31879499	DN058C LED18/840 220-240V L200 SQ	4000 K	106 lm/W	1,800 lm
31880099	DN058C LED18/865 220-240V L200 SQ	6500 K	106 lm/W	1,800 lm
31857299	DN058B LED12/830 220-240V D150 RD	3000 K	101 lm/W	1,160 lm
31858999	DN058B LED13/840 220-240V D150 RD	4000 K	109 lm/W	1,250 lm
31859699	DN058B LED13/865 220-240V D150 RD	6500 K	109 lm/W	1,250 lm
31860299	DN058B LED12/830 220-240V L150 SQ	3000 K	97 lm/W	1,115 lm
31861999	DN058B LED13/840 220-240V L150 SQ	4000 K	104 lm/W	1,200 lm
31862699	DN058B LED13/865 220-240V L150 SQ	6500 K	104 lm/W	1,200 lm
31881799	DN058B LED20/830 220-240V D275 RD	3000 K	85 lm/W	2,045 lm
31882499	DN058B LED22/840 220-240V D275 RD	4000 K	92 lm/W	2,200 lm
31883199	DN058B LED22/865 220-240V D275 RD	6500 K	92 lm/W	2,200 lm
31890999	DN058C LED20/830 220-240V L275 SQ	3000 K	85 lm/W	2,045 lm
31891699	DN058C LED22/840 220-240V L275 SQ	4000 K	92 lm/W	2,200 lm
31892399	DN058C LED22/865 220-240V L275 SQ	6500 K	92 lm/W	2,200 lm
31887999	DN058C LED20/830 220-240V D275 RD	3000 K	85 lm/W	2,045 lm

SmartBright CNG Downlight DN058

Order Code	Full Product Name	Correlated Color Temperature (Nom)	Luminous Efficacy (rated) (Nom)	Luminous Flux
31888699	DN058C LED22/840 220-240V D275 RD	4000 K	92 lm/W	2,200 lm
31889399	DN058C LED22/865 220-240V D275 RD	6500 K	92 lm/W	2,200 lm
31872599	DN058B LED17/830 220-240V L200 SQ	3000 K	99 lm/W	1,675 lm
31873299	DN058B LED18/840 220-240V L200 SQ	4000 K	106 lm/W	1,800 lm
31874999	DN058B LED18/865 220-240V L200 SQ	6500 K	106 lm/W	1,800 lm
31875699	DN058C LED17/830 220-240V D200 RD	3000 K	99 lm/W	1,675 lm
31876399	DN058C LED18/840 220-240V D200 RD	4000 K	106 lm/W	1,800 lm
31877099	DN058C LED18/865 220-240V D200 RD	6500 K	106 lm/W	1,800 lm
31848099	DN058B LED3/830 220-240V D80 RD	3000 K	74 lm/W	325 lm
31849799	DN058B LED4/840 220-240V D80 RD	4000 K	80 lm/W	350 lm
31850399	DN058B LED4/865 220-240V D80 RD	6500 K	80 lm/W	350 lm
31863399	DN058C LED12/830 220-240V D150 RD	3000 K	101 lm/W	1,160 lm
31864099	DN058C LED13/840 220-240V D150 RD	4000 K	109 lm/W	1,250 lm
31865799	DN058C LED13/865 220-240V D150 RD	6500 K	109 lm/W	1,250 lm
31866499	DN058C LED12/830 220-240V L150 SQ	3000 K	97 lm/W	1,115 lm
31867199	DN058C LED13/840 220-240V L150 SQ	4000 K	104 lm/W	1,200 lm
31868899	DN058C LED13/865 220-240V L150 SQ	6500 K	104 lm/W	1,200 lm
31851099	DN058B LED5/830 220-240V D100 RD	3000 K	87 lm/W	540 lm
31852799	DN058B LED6/840 220-240V D100 RD	4000 K	94 lm/W	600 lm
31853499	DN058B LED6/865 220-240V D100 RD	6500 K	94 lm/W	600 lm

Operating and Electrical

Order Code	Full Product Name	Power Consumption	Order Code	Full Product Name	Power Consumption
31884899	DN058B LED20/830 220-240V L275 SQ	24 W	31870199	DN058B LED18/840 220-240V D200 RD	17 W
31885599	DN058B LED22/840 220-240V L275 SQ	24 W	31871899	DN058B LED18/865 220-240V D200 RD	17 W
31886299	DN058B LED22/865 220-240V L275 SQ	24 W	31878799	DN058C LED17/830 220-240V L200 SQ	17 W
31854199	DN058B LED5/830 220-240V L100 SQ	6.2 W	31879499	DN058C LED18/840 220-240V L200 SQ	17 W
31855899	DN058B LED6/840 220-240V L100 SQ	6.2 W	31880099	DN058C LED18/865 220-240V L200 SQ	17 W
31856599	DN058B LED6/865 220-240V L100 SQ	6.2 W	31857299	DN058B LED12/830 220-240V D150 RD	11.5 W
31869599	DN058B LED17/830 220-240V D200 RD	17 W	31858999	DN058B LED13/840 220-240V D150 RD	11.5 W

SmartBright CNG Downlight DN058

Order Code	Full Product Name	Power Consumption
31859699	DN058B LED13/865 220-240V D150 RD	11.5 W
31860299	DN058B LED12/830 220-240V L150 SQ	11.5 W
31861999	DN058B LED13/840 220-240V L150 SQ	11.5 W
31862699	DN058B LED13/865 220-240V L150 SQ	11.5 W
31881799	DN058B LED20/830 220-240V D275 RD	24 W
31882499	DN058B LED22/840 220-240V D275 RD	24 W
31883199	DN058B LED22/865 220-240V D275 RD	24 W
31890999	DN058C LED20/830 220-240V L275 SQ	24 W
31891699	DN058C LED22/840 220-240V L275 SQ	24 W
31892399	DN058C LED22/865 220-240V L275 SQ	24 W
31887999	DN058C LED20/830 220-240V D275 RD	24 W
31888699	DN058C LED22/840 220-240V D275 RD	24 W
31889399	DN058C LED22/865 220-240V D275 RD	24 W
31872599	DN058B LED17/830 220-240V L200 SQ	17 W
31873299	DN058B LED18/840 220-240V L200 SQ	17 W
31874999	DN058B LED18/865 220-240V L200 SQ	17 W

Order Code	Full Product Name	Power Consumption
31875699	DN058C LED17/830 220-240V D200 RD	17 W
31876399	DN058C LED18/840 220-240V D200 RD	17 W
31877099	DN058C LED18/865 220-240V D200 RD	17 W
31848099	DN058B LED3/830 220-240V D80 RD	4.4 W
31849799	DN058B LED4/840 220-240V D80 RD	4.4 W
31850399	DN058B LED4/865 220-240V D80 RD	4.4 W
31863399	DN058C LED12/830 220-240V D150 RD	11.5 W
31864099	DN058C LED13/840 220-240V D150 RD	11.5 W
31865799	DN058C LED13/865 220-240V D150 RD	11.5 W
31866499	DN058C LED12/830 220-240V L150 SQ	11.5 W
31867199	DN058C LED13/840 220-240V L150 SQ	11.5 W
31868899	DN058C LED13/865 220-240V L150 SQ	11.5 W
31851099	DN058B LED5/830 220-240V D100 RD	6.2 W
31852799	DN058B LED6/840 220-240V D100 RD	6.2 W
31853499	DN058B LED6/865 220-240V D100 RD	6.2 W

Initial Performance (IEC Compliant)

Order Code	Full Product Name	Initial chromaticity	Luminous flux
			tolerance
31884899	DN058B LED20/830 220-240V L275 SQ	(0.43,0.40) SDCM≤6	-10%,+15%
31885599	DN058B LED22/840 220-240V L275 SQ	(0.38,0.38) SDCM≤6	-10%,+15%
31886299	DN058B LED22/865 220-240V L275 SQ	(0.31,0.33) SDCM≤6	-10%,+15%
31854199	DN058B LED5/830 220-240V L100 SQ	(0.43,0.40) SDCM≤6	-10%,+15%
31858999	DN058B LED6/840 220-240V L100 SQ	(0.38,0.38) SDCM≤6	-10%,+15%
31856599	DN058B LED6/865 220-240V L100 SQ	(0.31,0.33) SDCM≤6	-10%,+15%
31869599	DN058B LED17/830 220-240V D200 RD	(0.43,0.40) SDCM≤6	+/-10%
31870199	DN058B LED18/840 220-240V D200 RD	(0.38,0.38) SDCM≤6	+/-10%
31871899	DN058B LED18/865 220-240V D200 RD	(0.31,0.33) SDCM≤6	+/-10%
31878799	DN058C LED17/830 220-240V L200 SQ	(0.43,0.40) SDCM≤6	-10%,+15%
31879499	DN058C LED18/840 220-240V L200 SQ	(0.38,0.38) SDCM≤6	-10%,+15%
31880099	DN058C LED18/865 220-240V L200 SQ	(0.31,0.33) SDCM≤6	-10%,+15%
31857299	DN058B LED12/830 220-240V D150 RD	(0.43,0.40) SDCM≤6	+/-10%
31858999	DN058B LED13/840 220-240V D150 RD	(0.38,0.38) SDCM≤6	+/-10%
31859699	DN058B LED13/865 220-240V D150 RD	(0.31,0.33) SDCM≤6	+/-10%

Order Code	Full Product Name	Initial chromaticity	Luminous flux
			tolerance
31860299	DN058B LED12/830 220-240V L150 SQ	(0.43,0.40) SDCM≤6	-10%,+15%
31861999	DN058B LED13/840 220-240V L150 SQ	(0.38,0.38) SDCM≤6	-10%,+15%
31862699	DN058B LED13/865 220-240V L150 SQ	(0.31,0.33) SDCM≤6	-10%,+15%
31881799	DN058B LED20/830 220-240V D275 RD	(0.43,0.40) SDCM≤6	+/-10%
31882499	DN058B LED22/840 220-240V D275 RD	(0.38,0.38) SDCM≤6	+/-10%
31883199	DN058B LED22/865 220-240V D275 RD	(0.31,0.33) SDCM≤6	+/-10%
31890999	DN058C LED20/830 220-240V L275 SQ	(0.43,0.40) SDCM≤6	-10%,+15%
31891699	DN058C LED22/840 220-240V L275 SQ	(0.38,0.38) SDCM≤6	-10%,+15%
31892399	DN058C LED22/865 220-240V L275 SQ	(0.31,0.33) SDCM≤6	-10%,+15%
31887999	DN058C LED20/830 220-240V D275 RD	(0.43,0.40) SDCM≤6	+/-10%
31888699	DN058C LED22/840 220-240V D275 RD	(0.38,0.38) SDCM≤6	+/-10%
31889399	DN058C LED22/865 220-240V D275 RD	(0.31,0.33) SDCM≤6	+/-10%
31872599	DN058B LED17/830 220-240V L200 SQ	(0.43,0.40) SDCM≤6	-10%,+15%
31873299	DN058B LED18/840 220-240V L200 SQ	(0.38,0.38) SDCM≤6	-10%,+15%
31874999	DN058B LED18/865 220-240V L200 SQ	(0.31,0.33) SDCM≤6	-10%,+15%

SmartBright CNG Downlight DN058

Order Code	Full Product Name	Initial chromaticity	Luminous flux tolerance
31875699	DN058C LED17/830 220-240V D200 RD	(0.43,0.40) SDCM≤6	+/-10%
31876399	DN058C LED18/840 220-240V D200 RD	(0.38,0.38) SDCM≤6	+/-10%
31877099	DN058C LED18/865 220-240V D200 RD	(0.31,0.33) SDCM≤6	+/-10%
31848099	DN058B LED3/830 220-240V D80 RD	(0.43,0.40) SDCM≤6	+/-10%
31849799	DN058B LED4/840 220-240V D80 RD	(0.38,0.38) SDCM≤6	+/-10%
31850399	DN058B LED4/865 220-240V D80 RD	(0.31,0.33) SDCM≤6	+/-10%
31863399	DN058C LED12/830 220-240V D150 RD	(0.43,0.40) SDCM≤6	+/-10%
31864099	DN058C LED13/840 220-240V D150 RD	(0.38,0.38) SDCM≤6	+/-10%

Order Code	Full Product Name	Initial chromaticity	Luminous flux tolerance
31865799	DN058C LED13/865 220-240V D150 RD	(0.31,0.33) SDCM≤6	+/-10%
31866499	DN058C LED12/830 220-240V L150 SQ	(0.43,0.40) SDCM≤6	-10%,+15%
31867199	DN058C LED13/840 220-240V L150 SQ	(0.38,0.38) SDCM≤6	-10%,+15%
31868899	DN058C LED13/865 220-240V L150 SQ	(0.31,0.33) SDCM≤6	-10%,+15%
31851099	DN058B LED5/830 220-240V D100 RD	(0.43,0.40) SDCM≤6	+/-10%
31852799	DN058B LED6/840 220-240V D100 RD	(0.38,0.38) SDCM≤6	+/-10%
31853499	DN058B LED6/865 220-240V D100 RD	(0.31,0.33) SDCM≤6	+/-10%

