



Mains-voltage linear R7S with very high light output

CorePro LED linear MV

CorePro R7S is a retrofit replacement for traditional double-ended linear R7S lamps. Its 'light all around' design delivers light that is just like a halogen lamp. Within the range, you can choose dimmable products which have deep a dimming function that enables a cosy ambience when using a dimmable fixture.

Benefits

- Up to 90% energy saving compared to standard halogen lamps
- Lower maintenance costs

Features

- Easy retrofit
- Operates at 220–240 V AC and its form-factor is designed as a direct retrofit into all double-ended holders
- Lifetime of 15,000 hours (B50L70)
- UV- and IR-free light
- Free of mercury and hazardous materials – RoHS compliant

Application

- Living rooms, corridors, outdoor luminaires (security lighting), free floor-standing indoor luminaires, construction lighting

CorePro LED linear MV

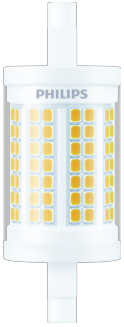
Versions



LED Lamps, CorePro 118 mm R7S



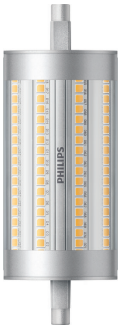
DTE310 3 x 10A Trailing Edge Dimmer Controller



LED 100W R7S 78mm WH ND SRT4



LEDlinear CorePro 7,2W R7S

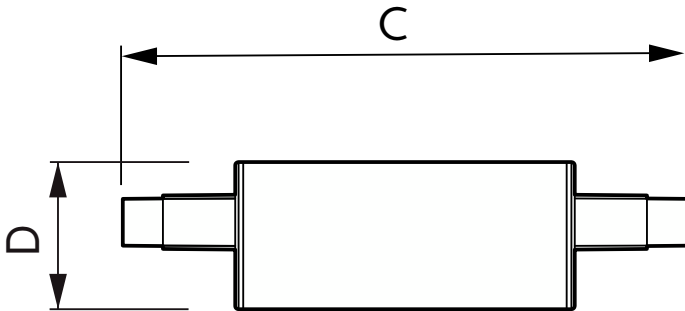


LEDspot R7S 230V



LEDlinear CorePro 7,2W R7S 1

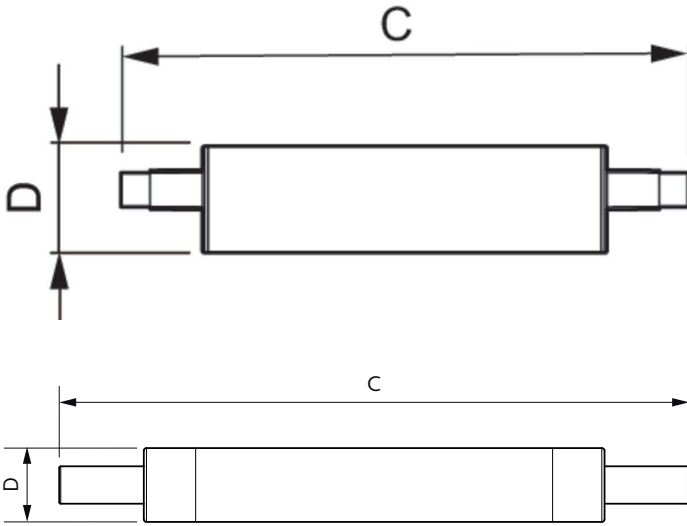
Dimensional drawing



Product	D	C
CorePro LEDlinear ND 7-60W R7S 78mm830	28 mm	78 mm
CorePro LEDlinear ND 7-60W R7S 78mm840	28 mm	78 mm
CorePro LEDlinearND 11.5-100W R7S78mm830	28 mm	78 mm

CorePro LED linear MV

Dimensional drawing



Product	D	C
CorePro LED linear D 14-120W R7S 118 830	29 mm	118 mm
CorePro LED linear D 14-120W R7S 118 840	29 mm	118 mm
CorePro R7S 118mm 14-100W 830 D	29 mm	118 mm
CorePro R7S 118mm 14-100W 840 D	29 mm	118 mm
CoreProLED linearD 17.5-150W R7S 118 830	42 mm	118 mm
CoreProLED linearD 17.5-150W R7S 118 840	42 mm	118 mm

Product	D	C
CorePro R7S 118mm 7.2-60W 830	15 mm	118 mm
CorePro R7S 118mm 7.2-60W 840	15 mm	118 mm

General Information	
Cap base	R7s
Nominal lifetime	15,000 h
Light Technical	
Colour rendering index (CRI)	80
LLMF at end of nominal lifetime (nom.)	70 %
Operating and Electrical	
Input frequency	50 to 60 Hz
Starting time (nom.)	0.5 s
Mechanical and Housing	
Lamp Finish	Clear
Bulb shape	R7S

General Information

Order Code	Full Product Name	Switching Cycle
929001243702	CorePro R7S 118mm 14-100W 830 D	50,000
929001243802	CorePro R7S 118mm 14-100W 840 D	50,000
929001353602	CorePro LED linear D 14-120W R7S 118 830	50,000
929001353702	CorePro LED linear D 14-120W R7S 118 840	50,000
929003791502	CorePro LEDlinearND 11.5-100W R7S78mm830	50,000
929002495002	CorePro R7S 118mm 7.2-60W 830	8,000
929002016602	CoreProLED linearD 17.5-150W R7S 118 830	50,000
929002016702	CoreProLED linearD 17.5-150W R7S 118 840	50,000
929003791302	CorePro LEDlinear ND 7-60W R7S 78mm830	50,000
929003791402	CorePro LEDlinear ND 7-60W R7S 78mm840	50,000
929002495102	CorePro R7S 118mm 7.2-60W 840	8,000

Light Technical

Order Code	Full Product Name	Beam angle (nom.)	Correlated		
			Colour Temperature (Nom)	Colour Code	Luminous Flux
929001243702	CorePro R7S 118mm 14-100W 830 D	-	3000 K	830	1,600 lm

Order Code	Full Product Name	Beam angle (nom.)	Correlated		
			Colour Temperature (Nom)	Colour Code	Luminous Flux
929001243802	CorePro R7S 118mm 14-100W 840 D	-	4000 K	840	1,800 lm

CorePro LED linear MV

Order Code	Full Product Name	Beam angle (nom.)	Correlated		
			Colour Temperature (Nom)	Colour Code	Luminous Flux
929001353602	CorePro LED linear D 14-120W R7S 118 830	-	3000 K	830	2,000 lm
929001353702	CorePro LED linear D 14-120W R7S 118 840	-	4000 K	840	2,000 lm
929003791502	CorePro LEDlinearND 11.5-100W R7S78mm830	300 degree(s)	3000 K	830	1,521 lm
929002495002	CorePro R7S 118mm 7.2-60W 830	-	3000 K	830	810 lm
929002016602	CoreProLED linearD 17.5-150W R7S 118 830	-	3000 K	830	2,460 lm

Order Code	Full Product Name	Beam angle (nom.)	Correlated		
			Colour Temperature (Nom)	Colour Code	Luminous Flux
929002016702	CoreProLED linearD 17.5-150W R7S 118 840	-	4000 K	840	2,460 lm
929003791302	CorePro LEDlinear ND 7-60W R7S 78mm830	300 degree(s)	3000 K	830	950 lm
929003791402	CorePro LEDlinear ND 7-60W R7S 78mm840	300 degree(s)	4000 K	840	1,000 lm
929002495102	CorePro R7S 118mm 7.2-60W 840	-	4000 K	840	850 lm

Operating and Electrical

Order Code	Full Product Name	Line Frequency	Power Consumption	Wattage equivalent
929001243802	CorePro R7S 118mm 14-100W 840 D	50 to 60 Hz	14 W	100 W
929001353602	CorePro LED linear D 14-120W R7S 118 830	50 to 60 Hz	14 W	120 W
929001353702	CorePro LED linear D 14-120W R7S 118 840	50 to 60 Hz	14 W	120 W
929003791502	CorePro LEDlinearND 11.5-100W R7S78mm830	-	11.5 W	100 W
929002495002	CorePro R7S 118mm 7.2-60W 830	50 to 60 Hz	7.2 W	60 W
929002016602	CoreProLED linearD 17.5-150W R7S 118 830	50 to 60 Hz	17.5 W	150 W

Order Code	Full Product Name	Line Frequency	Power Consumption	Wattage equivalent
929003791302	CorePro LEDlinear ND 7-60W R7S 78mm830	-	7 W	60 W
929003791402	CorePro LEDlinear ND 7-60W R7S 78mm840	-	7 W	60 W
929002495102	CorePro R7S 118mm 7.2-60W 840	50 to 60 Hz	7.2 W	60 W

Temperature

Order Code	Full Product Name	T-Case maximum (nom.)
929001243702	CorePro R7S 118mm 14-100W 830 D	90 °C
929001243802	CorePro R7S 118mm 14-100W 840 D	90 °C
929001353602	CorePro LED linear D 14-120W R7S 118 830	100 °C
929001353702	CorePro LED linear D 14-120W R7S 118 840	100 °C
929003791502	CorePro LEDlinearND 11.5-100W R7S78mm830	104 °C
929002495002	CorePro R7S 118mm 7.2-60W 830	110 °C

Order Code	Full Product Name	T-Case maximum (nom.)
929002016602	CoreProLED linearD 17.5-150W R7S 118 830	102 °C
929002016702	CoreProLED linearD 17.5-150W R7S 118 840	102 °C
929003791302	CorePro LEDlinear ND 7-60W R7S 78mm830	88 °C
929003791402	CorePro LEDlinear ND 7-60W R7S 78mm840	88 °C
929002495102	CorePro R7S 118mm 7.2-60W 840	110 °C

CorePro LED linear MV

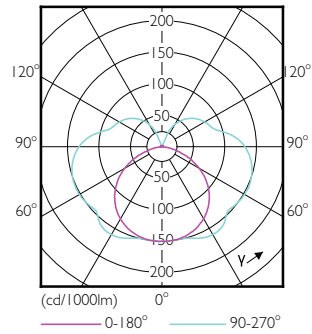
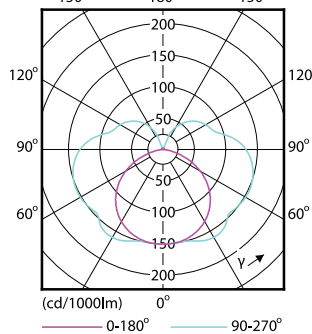
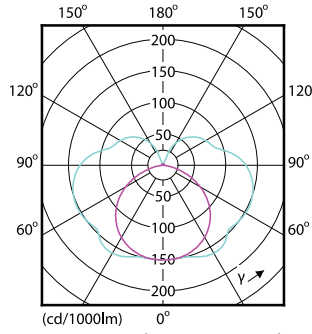
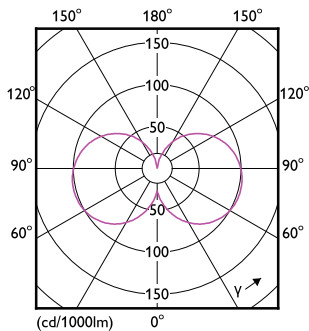
Controls and Dimming

Order Code	Full Product Name	Dimmable
929001243702	CorePro R7S 118mm 14-100W 830 D	Only with specific dimmers
929001243802	CorePro R7S 118mm 14-100W 840 D	Only with specific dimmers
929001353602	CorePro LED linear D 14-120W R7S 118 830	Only with specific dimmers
929001353702	CorePro LED linear D 14-120W R7S 118 840	Only with specific dimmers
929003791502	CorePro LEDlinearND 11.5-100W R7S78mm830	No

Order Code	Full Product Name	Dimmable
929002495002	CorePro R7S 118mm 7.2-60W 830	No
929002016602	CoreProLED linearD 17.5-150W R7S 118 830	Only with specific dimmers
929002016702	CoreProLED linearD 17.5-150W R7S 118 840	Only with specific dimmers
929003791302	CorePro LEDlinear ND 7-60W R7S 78mm830	No
929003791402	CorePro LEDlinear ND 7-60W R7S 78mm840	No
929002495102	CorePro R7S 118mm 7.2-60W 840	No

Approval and Application

Order Code	Full Product Name	Ambient temperature range	Energy consumption kWh/1,000 hours
929001243702	CorePro R7S 118mm 14-100W 830 D	-20°C to 45°C	14 kWh
929001243802	CorePro R7S 118mm 14-100W 840 D	-20°C to 45°C	14 kWh
929001353602	CorePro LED linear D 14-120W R7S 118 830	-20°C to 45°C	14 kWh
929001353702	CorePro LED linear D 14-120W R7S 118 840	-20°C to 45°C	14 kWh
929003791502	CorePro LEDlinearND 11.5-100W R7S78mm830	-20 to +45 °C	12 kWh
929002495002	CorePro R7S 118mm 7.2-60W 830	-20 to +40 °C	8 kWh
929002016602	CoreProLED linearD 17.5-150W R7S 118 830	-20°C to 45°C	18 kWh
929002016702	CoreProLED linearD 17.5-150W R7S 118 840	-20°C to 45°C	18 kWh
929003791302	CorePro LEDlinear ND 7-60W R7S 78mm830	-20 to +45 °C	7 kWh
929003791402	CorePro LEDlinear ND 7-60W R7S 78mm840	-20 to +45 °C	7 kWh
929002495102	CorePro R7S 118mm 7.2-60W 840	-20 to +40 °C	8 kWh



CorePro LED linear MV

