



# For top performance and sustainability

## MASTER LED tube EM/Mains T8 with Recycled Plastic

Our new sustainability hero Philips MASTER LEDtube T8 EM/mains — a pioneering LED tube designed for performance, durability and environmental impact. As the first-ever LED tube to feature 40% post-consumer recycled plastic, it sets a new standard for sustainable lighting without compromising quality. With a long lifetime of 75,000 hours and high luminous efficacy up to 185 lm/W, the MASTER LEDtube T8 ensures outstanding energy efficiency. These T8 LED tubes are the right choice for absolute performance and are designed to stand up to everyday conditions. Unparalleled savings thanks to low-energy consumption and an exceptionally long lifetime ensure that this tube masters every demanding application.

### Benefits

- Absolute performance that provides a solution for every application
- Unparalleled savings with low energy consumption and long lifetime
- Robust and reliable: stands up to everyday conditions

### Features

- Made with on average 40% post-consumer recycled plastic
- Impressive energy saving and durability with up to 185 lm/W efficacy and 75,000 hrs lifetime
- Shatterproof, passing drop test horizontally from a height of 4m on to a flat concrete according to IEC 61549.
- Enable easy implementation of HACCP without need for additional guard, supported by product level NSF certificate
- Easy to install on EM ballast or rewire to direct mains; rotatable end caps (up to 90°) for flexible installation

# MASTER LED tube EM/Mains T8 with Recycled Plastic

## Application

- Offices, schools, healthcare
- Parking, warehouses and industry
- Public spaces

## Versions



LEDtubes, 600mm 8.5W, 900mm 10.5W, 1200mm 12W, 1200mm 15W

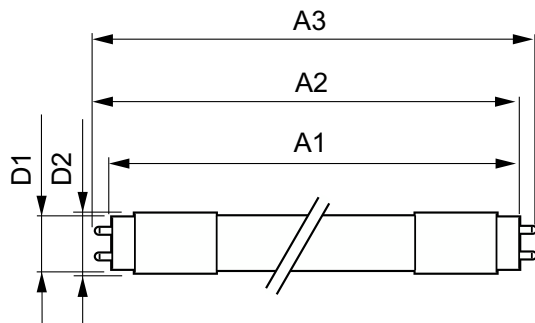
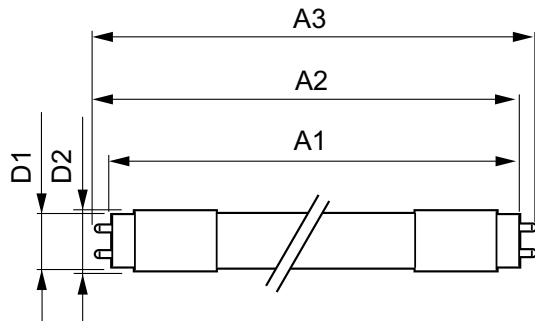


LEDtube Starter



SPPR\_MLED\_APR\_0014-Product photo

## Dimensional drawing



Product	D1	D2	A1	A2	A3
MAS LEDtube 1200mm UO 13.5W 840 T8 EELB	25.8 mm	28 mm	1,198.2 mm	1,205.3 mm	1,212.4 mm
MAS LEDtube 1500mm UO 20W 840 T8 EELB	25.8 mm	28 mm	1,498.8 mm	1,505.9 mm	1,513 mm
MAS LEDtube 600mm HO 7.6W840 T8	25.8 mm	28 mm	588.5 mm	595.5 mm	602.5 mm
MAS LEDtube 600mm HO 7.6W865 T8	25.8 mm	28 mm	588.5 mm	595.5 mm	602.5 mm
MAS LEDtube 900mm HO 12W 840 T8	25.78 mm	28 mm	893.3 mm	900.4 mm	907.5 mm

Product	D1	D2	A1	A2	A3
MAS LEDtube 1200mm HO 11.3W 840 T8 EELB	25.8 mm	28 mm	1,198.2 mm	1,205.3 mm	1,212.4 mm
MAS LEDtube 1500mm HO 16.7W 840 T8 EELB	25.8 mm	28 mm	1,498.8 mm	1,505.9 mm	1,513 mm

# MASTER LED tube EM/Mains T8 with Recycled Plastic

## Light Technical

LLMF at end of nominal lifetime (nom.) 70 %

## Controls and Dimming

Dimmable No

## General Information

Order Code	Full Product Name	Cap base	Switching Cycle	Nominal lifetime	Order Code	Full Product Name	Cap base	Switching Cycle	Nominal lifetime
929001298402	MAS LEDtube 900mm HO 12W 840 T8	G13 Rotatable end-cap	200,000	75,000 h	929004260402	MAS LEDtube 600mm HO 7.6W865 T8	G13 Rotatable end-cap	200,000	75,000 h
929004241902	MAS LEDtube 1200mm UO 13.5W 840 T8 EELB	G13 Rotatable end-cap	200,000	75,000 h	929003481702	MASTER LEDtube Starter EMP GenIII	-	-	-
929004242202	MAS LEDtube 1500mm UO 20W 840 T8 EELB	G13 Rotatable end-cap	200,000	75,000 h	929004242502	MAS LEDtube 1200mm HO 11.3W 840 T8 EELB	G13 Rotatable end-cap	200,000	75,000 h
929004260302	MAS LEDtube 600mm HO 7.6W840 T8	G13 Rotatable end-cap	200,000	75,000 h	929004242802	MAS LEDtube 1500mm HO 16.7W 840 T8 EELB	G13 Rotatable end-cap	200,000	75,000 h

## Light Technical

Order Code	Full Product Name	Beam angle (nom.)	Correlated Colour Temperature (Nom)	Colour rendering index		
				(CRI)	Colour Code	Luminous Flux
929001298402	MAS LEDtube 900mm HO 12W 840 T8	160 degree(s)	4000 K	80	840	1,575 lm
929004241902	MAS LEDtube 1200mm UO 13.5W 840 T8 EELB	160 degree(s)	4000 K	80	840	2,500 lm
929004242202	MAS LEDtube 1500mm UO 20W 840 T8 EELB	160 degree(s)	4000 K	80	840	3,700 lm
929004260302	MAS LEDtube 600mm HO 7.6W840 T8	160 degree(s)	4000 K	80	840	1,150 lm
929004260402	MAS LEDtube 600mm HO 7.6W865 T8	160 degree(s)	6500 K	80	865	1,150 lm
929003481702	MASTER LEDtube Starter EMP GenIII	-	-	-	-	-
929004242502	MAS LEDtube 1200mm HO 11.3W 840 T8 EELB	160 degree(s)	4000 K	80	840	2,100 lm
929004242802	MAS LEDtube 1500mm HO 16.7W 840 T8 EELB	160 degree(s)	4000 K	80	840	3,100 lm

## Operating and Electrical

Order Code	Full Product Name	Input frequency	Line Frequency	Power Consumption	Starting time (nom.)	Order Code	Full Product Name	Input frequency	Line Frequency	Power Consumption	Starting time (nom.)
929001298402	MAS LEDtube 900mm HO 12W 840 T8	50 to 60 Hz	50 to 60 Hz	12 W	0.5 s	929003481702	MASTER LEDtube Starter EMP GenIII	- Hz	- Hz	-	-
929004241902	MAS LEDtube 1200mm UO 13.5W 840 T8 EELB	50 to 60 Hz	-	13.5 W	0.5 s	929004242502	MAS LEDtube 1200mm HO 11.3W 840 T8 EELB	50 to 60 Hz	-	11.3 W	0.5 s
929004242202	MAS LEDtube 1500mm UO 20W 840 T8 EELB	50 to 60 Hz	-	20 W	0.5 s	929004242802	MAS LEDtube 1500mm HO 16.7W 840 T8 EELB	50 to 60 Hz	-	16.7 W	0.5 s
929004260302	MAS LEDtube 600mm HO 7.6W840 T8	50 to 60 Hz	-	7.6 W	0.5 s						
929004260402	MAS LEDtube 600mm HO 7.6W865 T8	50 to 60 Hz	-	7.6 W	0.5 s						

# MASTER LED tube EM/Mains T8 with Recycled Plastic

## Temperature

Order Code	Full Product Name	T-Case maximum (nom.)
929001298402	MAS LEDtube 900mm HO 12W 840 T8	50 °C
929004241902	MAS LEDtube 1200mm UO 13.5W 840 T8 EELB	50 °C
929004242202	MAS LEDtube 1500mm UO 20W 840 T8 EELB	50 °C
929004260302	MAS LEDtube 600mm HO 7.6W840 T8	50 °C

Order Code	Full Product Name	T-Case maximum (nom.)
929004260402	MAS LEDtube 600mm HO 7.6W865 T8	50 °C
929003481702	MASTER LEDtube Starter EMP GenIII	-
929004242502	MAS LEDtube 1200mm HO 11.3W 840 T8 EELB	50 °C
929004242802	MAS LEDtube 1500mm HO 16.7W 840 T8 EELB	50 °C

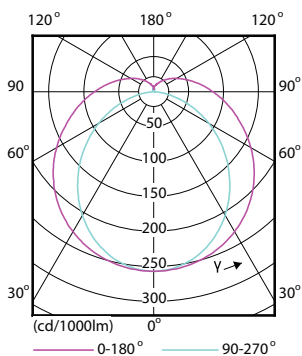
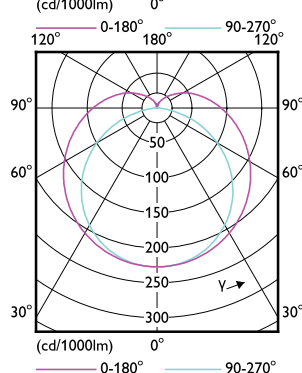
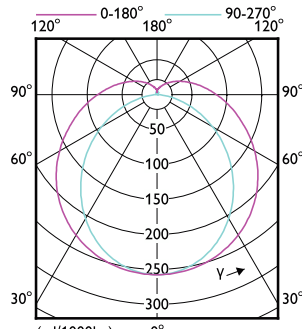
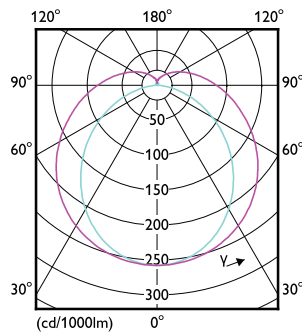
## Mechanical and Housing

Order Code	Full Product Name	Lamp Finish	Bulb shape
929001298402	MAS LEDtube 900mm HO 12W 840 T8	Frosted	T8
929004241902	MAS LEDtube 1200mm UO 13.5W 840 T8 EELB	Frosted	T8
929004242202	MAS LEDtube 1500mm UO 20W 840 T8 EELB	Frosted	T8
929004260302	MAS LEDtube 600mm HO 7.6W840 T8	Frosted	T8

Order Code	Full Product Name	Lamp Finish	Bulb shape
929004260402	MAS LEDtube 600mm HO 7.6W865 T8	Frosted	T8
929003481702	MASTER LEDtube Starter EMP GenIII	-	-
929004242502	MAS LEDtube 1200mm HO 11.3W 840 T8 EELB	Frosted	T8
929004242802	MAS LEDtube 1500mm HO 16.7W 840 T8 EELB	Frosted	T8

## Approval and Application

Order Code	Full Product Name	Ambient temperature range	Energy consumption kWh/1,000 hours
929001298402	MAS LEDtube 900mm HO 12W 840 T8	-20 to +45 °C	12 kWh
929004241902	MAS LEDtube 1200mm UO 13.5W 840 T8 EELB	-20 to +45 °C	14 kWh
929004242202	MAS LEDtube 1500mm UO 20W 840 T8 EELB	-20 to +45 °C	20 kWh
929004260302	MAS LEDtube 600mm HO 7.6W840 T8	-20 to +45 °C	8 kWh
929004260402	MAS LEDtube 600mm HO 7.6W865 T8	-20 to +45 °C	8 kWh
929003481702	MASTER LEDtube Starter EMP GenIII	-	-
929004242502	MAS LEDtube 1200mm HO 11.3W 840 T8 EELB	-20 to +45 °C	12 kWh
929004242802	MAS LEDtube 1500mm HO 16.7W 840 T8 EELB	-20 to +45 °C	17 kWh



# MASTER LED tube EM/Mains T8 with Recycled Plastic

