



For top performance and sustainability

MASTER LED tube EM/Mains T8 with Recycled Plastic

Our new sustainability hero Philips MASTER LEDtube T8 EM/mains — a pioneering LED tube designed for performance, durability and environmental impact. As the first-ever LED tube to feature 40% post-consumer recycled plastic, it sets a new standard for sustainable lighting without compromising quality. With a long lifetime of 75,000 hours and high luminous efficacy up to 185 lm/W, the MASTER LEDtube T8 ensures outstanding energy efficiency. These T8 LED tubes are the right choice for absolute performance and are designed to stand up to everyday conditions. Unparalleled savings thanks to low-energy consumption and an exceptionally long lifetime ensure that this tube masters every demanding application.

Benefits

- Absolute performance that provides a solution for every application
- Unparalleled savings with low energy consumption and long lifetime
- Robust and reliable: stands up to everyday conditions

Features

- Made with on average 40% post-consumer recycled plastic
- Impressive energy saving and durability with up to 185 lm/W efficacy and 75,000 hrs lifetime
- Shatterproof, passing drop test horizontally from a height of 4m on to a flat concrete according to IEC 61549.
- Enable easy implementation of HACCP without need for additional guard, supported by product level NSF certificate
- Easy to install on EM ballast or rewire to direct mains; rotatable end caps (up to 90°) for flexible installation

MASTER LED tube EM/Mains T8 with Recycled Plastic

Application

- Offices, schools, healthcare
- Parking, warehouses and industry
- Public spaces

Versions

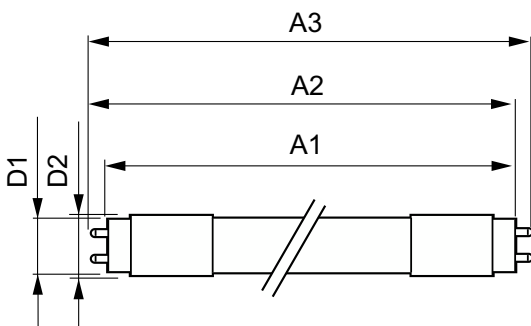
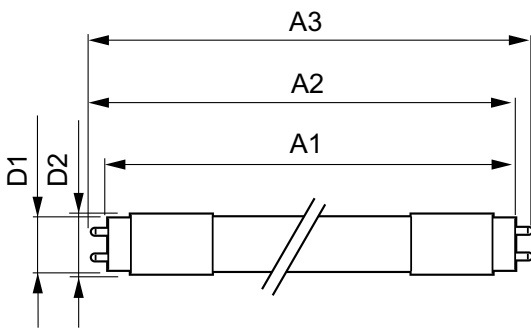


LEDtubes, 600mm 8.5W, 900mm
10.5W, 1200mm 12W, 1200mm 15W



LEDtube Starter

Dimensional drawing



Product	D1	D2	A1	A2	A3
MAS LEDtube 1500mm UO 20W 840 T8 EELB	25.8 mm	28 mm	1,498.8 mm	1,505.9 mm	1,513 mm
MAS LEDtube 600mm HO 7.6W830 T8	25.8 mm	28 mm	588.5 mm	595.5 mm	602.5 mm
MAS LEDtube 600mm HO 7.6W840 T8	25.8 mm	28 mm	588.5 mm	595.5 mm	602.5 mm
MAS LEDtube 600mm HO 7.6W865 T8	25.8 mm	28 mm	588.5 mm	595.5 mm	602.5 mm
MAS LEDtube 900mm HO 12W 840 T8	25.78 mm	28 mm	893.3 mm	900.4 mm	907.5 mm
MAS LEDtube 900mm HO 12W 865 T8	25.78 mm	28 mm	893.3 mm	900.4 mm	907.5 mm

Product	D1	D2	A1	A2	A3
MAS LEDtube 1050mm 16W 840 T8	25.8 mm	28 mm	1,045.8 mm	1,052.9 mm	1,060 mm
MAS LEDtube 1200mm HO 11.3W 830 T8 EELC	25.8 mm	28 mm	1,198.2 mm	1,205.3 mm	1,212.4 mm
MAS LEDtube 1200mm HO 11.3W 840 T8 EELB	25.8 mm	28 mm	1,198.2 mm	1,205.3 mm	1,212.4 mm
MAS LEDtube 1200mm HO 11.3W 865 T8 EELB	25.8 mm	28 mm	1,198.2 mm	1,205.3 mm	1,212.4 mm
MAS LEDtube 1500mm HO 16.7W 830 T8 EELC	25.8 mm	28 mm	1,498.8 mm	1,505.9 mm	1,513 mm
MAS LEDtube 1500mm HO 16.7W 840 T8 EELB	25.8 mm	28 mm	1,498.8 mm	1,505.9 mm	1,513 mm
MAS LEDtube 1500mm HO 16.7W 865 T8 EELB	25.8 mm	28 mm	1,498.8 mm	1,505.9 mm	1,513 mm

MASTER LED tube EM/Mains T8 with Recycled Plastic

Light Technical

LLMF at end of nominal lifetime (nom.) 70 %

Controls and Dimming

Dimmable No

General Information

Order Code	Full Product Name	Cap base	Switching Cycle	Nominal lifetime	Order Code	Full Product Name	Cap base	Switching Cycle	Nominal lifetime
929001298402	MAS LEDtube 900mm HO 12W 840 T8	G13 Rotatable end-cap	200,000	75,000 h	929001961102	MAS LEDtube 1050mm 16W 840 T8	G13 Rotatable end-cap	200,000	75,000 h
929001298502	MAS LEDtube 900mm HO 12W 865 T8	G13 Rotatable end-cap	200,000	75,000 h	929004242402	MAS LEDtube 1200mm HO 11.3W 830 T8 EELC	G13 Rotatable end-cap	200,000	75,000 h
929004242202	MAS LEDtube 1500mm UO 20W 840 T8 EELB	G13 Rotatable end-cap	200,000	75,000 h	929004242502	MAS LEDtube 1200mm HO 11.3W 840 T8 EELB	G13 Rotatable end-cap	200,000	75,000 h
929004260202	MAS LEDtube 600mm HO 7.6W830 T8	G13 Rotatable end-cap	200,000	75,000 h	929004242602	MAS LEDtube 1200mm HO 11.3W 865 T8 EELB	G13 Rotatable end-cap	200,000	75,000 h
929004260302	MAS LEDtube 600mm HO 7.6W840 T8	G13 Rotatable end-cap	200,000	75,000 h	929004242702	MAS LEDtube 1500mm HO 16.7W 830 T8 EELC	G13 Rotatable end-cap	200,000	75,000 h
929004260402	MAS LEDtube 600mm HO 7.6W865 T8	G13 Rotatable end-cap	200,000	75,000 h	929004242802	MAS LEDtube 1500mm HO 16.7W 840 T8 EELB	G13 Rotatable end-cap	200,000	75,000 h
929003481702	MASTER LEDtube Starter EMP GenIII	-	-	-	929004242902	MAS LEDtube 1500mm HO 16.7W 865 T8 EELB	G13 Rotatable end-cap	200,000	75,000 h

Light Technical

Order Code	Full Product Name	Beam angle (nom.)	Correlated Colour Temperature (Nom)	Colour rendering index		
				(CRI)	Colour Code	Luminous Flux
929001298402	MAS LEDtube 900mm HO 12W 840 T8	160 degree(s)	4000 K	80	840	1,575 lm
929001298502	MAS LEDtube 900mm HO 12W 865 T8	160 degree(s)	6500 K	80	865	1,575 lm
929004242202	MAS LEDtube 1500mm UO 20W 840 T8 EELB	160 degree(s)	4000 K	80	840	3,700 lm
929004260202	MAS LEDtube 600mm HO 7.6W830 T8	160 degree(s)	3000 K	80	830	1,090 lm
929004260302	MAS LEDtube 600mm HO 7.6W840 T8	160 degree(s)	4000 K	80	840	1,150 lm
929004260402	MAS LEDtube 600mm HO 7.6W865 T8	160 degree(s)	6500 K	80	865	1,150 lm
929003481702	MASTER LEDtube Starter EMP GenIII	-	-	-	-	-
929001961102	MAS LEDtube 1050mm 16W 840 T8	160 degree(s)	4000 K	80	840	2,500 lm
929004242402	MAS LEDtube 1200mm HO 11.3W 830 T8 EELC	160 degree(s)	3000 K	80	830	2,000 lm
929004242502	MAS LEDtube 1200mm HO 11.3W 840 T8 EELB	160 degree(s)	4000 K	80	840	2,100 lm
929004242602	MAS LEDtube 1200mm HO 11.3W 865 T8 EELB	160 degree(s)	6500 K	80	865	2,100 lm
929004242702	MAS LEDtube 1500mm HO 16.7W 830 T8 EELC	160 degree(s)	3000 K	80	830	2,900 lm
929004242802	MAS LEDtube 1500mm HO 16.7W 840 T8 EELB	160 degree(s)	4000 K	80	840	3,100 lm
929004242902	MAS LEDtube 1500mm HO 16.7W 865 T8 EELB	160 degree(s)	6500 K	80	865	3,100 lm

Operating and Electrical

Order Code	Full Product Name	Input frequency	Line Frequency	Power Consumption	Starting time (nom.)	Order Code	Full Product Name	Input frequency	Line Frequency	Power Consumption	Starting time (nom.)
929001298402	MAS LEDtube 900mm HO 12W 840 T8	50 to 60 Hz	50 to 60 Hz	12 W	0.5 s	929001298502	MAS LEDtube 900mm HO 12W 865 T8	50 to 60 Hz	50 to 60 Hz	12 W	0.5 s

MASTER LED tube EM/Mains T8 with Recycled Plastic

Order Code	Full Product Name	Input frequency	Line Frequency	Power Consumption	Starting time (nom.)
929004242202	MAS LEDtube 1500mm UO 20W 840 T8 EELB	50 to 60 Hz	-	20 W	0.5 s
929004260202	MAS LEDtube 600mm HO 7.6W830 T8	50 to 60 Hz	-	7.6 W	0.5 s
929004260302	MAS LEDtube 600mm HO 7.6W840 T8	50 to 60 Hz	-	7.6 W	0.5 s
929004260402	MAS LEDtube 600mm HO 7.6W865 T8	50 to 60 Hz	-	7.6 W	0.5 s
929003481702	MASTER LEDtube Starter EMP GenIII	- Hz	- Hz	-	-
929001961102	MAS LEDtube 1050mm 16W 840 T8	50 to 60 Hz	50 to 60 Hz	16 W	0.5 s
929004242402	MAS LEDtube 1200mm HO	50 to 60 Hz	-	11.3 W	0.5 s

Order Code	Full Product Name	Input frequency	Line Frequency	Power Consumption	Starting time (nom.)
	11.3W 830 T8 EELC				
929004242502	MAS LEDtube 1200mm HO 11.3W 840 T8 EELB	50 to 60 Hz	-	11.3 W	0.5 s
929004242602	MAS LEDtube 1200mm HO 11.3W 865 T8 EELB	50 to 60 Hz	-	11.3 W	0.5 s
929004242702	MAS LEDtube 1500mm HO 16.7W 830 T8 EELC	50 to 60 Hz	-	16.7 W	0.5 s
929004242802	MAS LEDtube 1500mm HO 16.7W 840 T8 EELB	50 to 60 Hz	-	16.7 W	0.5 s
929004242902	MAS LEDtube 1500mm HO 16.7W 865 T8 EELB	50 to 60 Hz	-	16.7 W	0.5 s

Temperature

Order Code	Full Product Name	T-Case maximum (nom.)
929001298402	MAS LEDtube 900mm HO 12W 840 T8	50 °C
929001298502	MAS LEDtube 900mm HO 12W 865 T8	50 °C
929004242202	MAS LEDtube 1500mm UO 20W 840 T8 EELB	50 °C
929004260202	MAS LEDtube 600mm HO 7.6W830 T8	50 °C
929004260302	MAS LEDtube 600mm HO 7.6W840 T8	50 °C
929004260402	MAS LEDtube 600mm HO 7.6W865 T8	50 °C
929003481702	MASTER LEDtube Starter EMP GenIII	-

Order Code	Full Product Name	T-Case maximum (nom.)
929001961102	MAS LEDtube 1050mm 16W 840 T8	55 °C
929004242402	MAS LEDtube 1200mm HO 11.3W 830 T8 EELC	50 °C
929004242502	MAS LEDtube 1200mm HO 11.3W 840 T8 EELB	50 °C
929004242602	MAS LEDtube 1200mm HO 11.3W 865 T8 EELB	50 °C
929004242702	MAS LEDtube 1500mm HO 16.7W 830 T8 EELC	50 °C
929004242802	MAS LEDtube 1500mm HO 16.7W 840 T8 EELB	50 °C
929004242902	MAS LEDtube 1500mm HO 16.7W 865 T8 EELB	50 °C

Mechanical and Housing

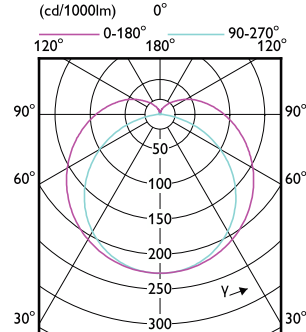
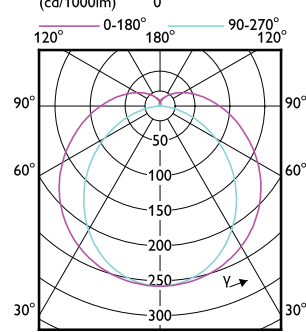
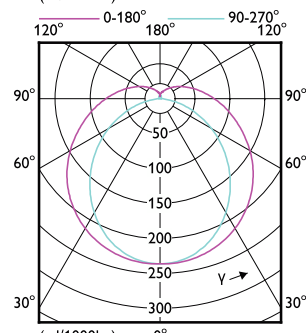
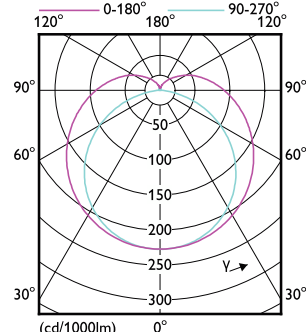
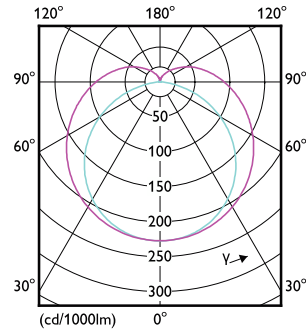
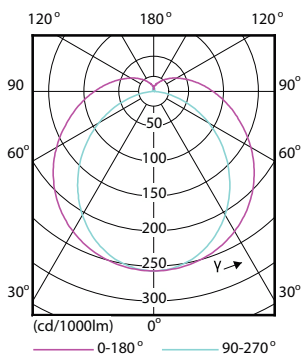
Order Code	Full Product Name	Lamp Finish	Bulb shape
929001298402	MAS LEDtube 900mm HO 12W 840 T8	Frosted	T8
929001298502	MAS LEDtube 900mm HO 12W 865 T8	Frosted	T8
929004242202	MAS LEDtube 1500mm UO 20W 840 T8 EELB	Frosted	T8
929004260202	MAS LEDtube 600mm HO 7.6W830 T8	Frosted	T8
929004260302	MAS LEDtube 600mm HO 7.6W840 T8	Frosted	T8
929004260402	MAS LEDtube 600mm HO 7.6W865 T8	Frosted	T8
929003481702	MASTER LEDtube Starter EMP GenIII	-	-
929001961102	MAS LEDtube 1050mm 16W 840 T8	Frosted	T8
929004242402	MAS LEDtube 1200mm HO 11.3W 830 T8 EELC	Frosted	T8

Order Code	Full Product Name	Lamp Finish	Bulb shape
929004242502	MAS LEDtube 1200mm HO 11.3W 840 T8 EELB	Frosted	T8
929004242602	MAS LEDtube 1200mm HO 11.3W 865 T8 EELB	Frosted	T8
929004242702	MAS LEDtube 1500mm HO 16.7W 830 T8 EELC	Frosted	T8
929004242802	MAS LEDtube 1500mm HO 16.7W 840 T8 EELB	Frosted	T8
929004242902	MAS LEDtube 1500mm HO 16.7W 865 T8 EELB	Frosted	T8

MASTER LED tube EM/Mains T8 with Recycled Plastic

Approval and Application

Order Code	Full Product Name	Ambient temperature range	Energy consumption kWh/1,000 hours
929001298402	MAS LEDtube 900mm HO 12W 840 T8	-20 to +45 °C	12 kWh
929001298502	MAS LEDtube 900mm HO 12W 865 T8	-20 to +45 °C	12 kWh
929004242202	MAS LEDtube 1500mm UO 20W 840 T8 EELB	-20 to +45 °C	20 kWh
92900426202	MAS LEDtube 600mm HO 7.6W830 T8	-20 to +45 °C	8 kWh
92900426302	MAS LEDtube 600mm HO 7.6W840 T8	-20 to +45 °C	8 kWh
92900426402	MAS LEDtube 600mm HO 7.6W865 T8	-20 to +45 °C	8 kWh
929003481702	MASTER LEDtube Starter EMP GenIII	-	-
929001961102	MAS LEDtube 1050mm 16W 840 T8	-20 to +45 °C	16 kWh
929004242402	MAS LEDtube 1200mm HO 11.3W 830 T8 EELC	-20 to +45 °C	12 kWh
929004242502	MAS LEDtube 1200mm HO 11.3W 840 T8 EELB	-20 to +45 °C	12 kWh
929004242602	MAS LEDtube 1200mm HO 11.3W 865 T8 EELB	-20 to +45 °C	12 kWh
929004242702	MAS LEDtube 1500mm HO 16.7W 830 T8 EELC	-20 to +45 °C	17 kWh
929004242802	MAS LEDtube 1500mm HO 16.7W 840 T8 EELB	-20 to +45 °C	17 kWh
929004242902	MAS LEDtube 1500mm HO 16.7W 865 T8 EELB	-20 to +45 °C	17 kWh



MASTER LED tube EM/Mains T8 with Recycled Plastic

