



For top performance and sustainability

MASTER LED tube EM/Mains T8 with Recycled Plastic

Our new sustainability hero Philips MASTER LEDtube T8 EM/mains — a pioneering LED tube designed for performance, durability, and environmental impact. As the first-ever LED tube to feature 40% post-consumer recycled plastic, it sets a new standard for sustainable lighting without compromising quality. With a long lifetime of 75,000 hours and high luminous efficacy up to 185 lm/W, the MASTER LEDtube T8 ensures outstanding energy efficiency. These T8 LED tubes are the right choice for absolute performance and are designed to stand up to everyday conditions. Unparalleled savings thanks to low energy consumption and an exceptionally long lifetime ensure this tube master every demanding application.

Benefits

- Absolute performance that provides a solution for every application
- Unparalleled savings with low energy consumption and long lifetime
- Robust and reliable: stands up to everyday conditions

Features

- Made with on average 40% post-consumer-recycled plastic
- Impressive energy saving and durability with up to 185 lm/W efficacy and 75,000 hrs lifetime
- Shatterproof, passing drop test horizontally from a height of 4m on to a flat concrete according to IEC 61549.
- Enable easy implementation of HACCP without need for additional guard, supported by product level NSF certificate
- Easy to install on EM ballast or rewire to direct mains; rotatable end caps (up to 90°) for flexible installation

MASTER LED tube EM/Mains T8 with Recycled Plastic

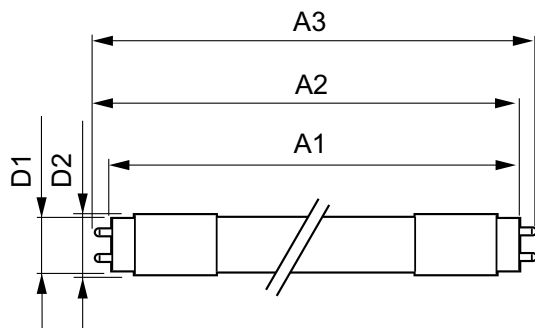
Application

- Offices, schools, healthcare
- Parking, warehouses, and industry
- Public spaces

Versions



Dimensional drawing



Product	D1	D2	A1	A2	A3
MAS LEDtube 1200mm UO 13.5W 830 T8 EELC	25.8 mm	28 mm	1,198.2 mm	1,205.3 mm	1,212.4 mm
MAS LEDtube 1200mm UO 13.5W 840 T8 EELB	25.8 mm	28 mm	1,198.2 mm	1,205.3 mm	1,212.4 mm
MAS LEDtube 1200mm UO 13.5W 865 T8 EELB	25.8 mm	28 mm	1,198.2 mm	1,205.3 mm	1,212.4 mm
MAS LEDtube 1500mm UO 20W 830 T8 EELC	25.8 mm	28 mm	1,498.8 mm	1,505.9 mm	1,513 mm
MAS LEDtube 1500mm UO 20W 840 T8 EELB	25.8 mm	28 mm	1,498.8 mm	1,505.9 mm	1,513 mm
MAS LEDtube 1500mm UO 20W 865 T8 EELB	25.8 mm	28 mm	1,498.8 mm	1,505.9 mm	1,513 mm
MAS LEDtube 900mm HO 12W 865 T8	25.78 mm	28 mm	893.3 mm	900.4 mm	907.5 mm

MASTER LED tube EM/Mains T8 with Recycled Plastic

General Information	
Cap-Base	G13 Rotatable end-cap
Switching Cycle	200,000
Nominal lifetime	75,000 hour(s)
Light Technical	
Beam Angle (Nom)	160 degree(s)
Color rendering index (CRI)	80
LLMF At End Of Nominal Lifetime (Nom)	70 %
Operating and Electrical	
Input Frequency	50 to 60 Hz
Starting Time (Nom)	0.5 s
Temperature	
T-Case Maximum (Nom)	50 °C
Controls and Dimming	
Dimmable	No
Mechanical and Housing	
Bulb Finish	Frosted
Bulb Shape	T8
Approval and Application	
Ambient temperature range	-20 to +45 °C

Light Technical

Order Code	Full Product Name	Correlated Color Temperature (Nom)	Color Code	Luminous Flux
68710900	MAS LEDtube 900mm HO 12W 865 T8	6500 K	865	1,575 lm
38793500	MAS LEDtube 1200mm UO 13.5W 830 T8 EELC	3000 K	830	2,300 lm
38795900	MAS LEDtube 1200mm UO 13.5W 840 T8 EELB	4000 K	840	2,500 lm
38797300	MAS LEDtube 1200mm UO 13.5W 865 T8 EELB	6500 K	865	2,500 lm
38799700	MAS LEDtube 1500mm UO 20W 830 T8 EELC	3000 K	830	3,400 lm
38801700	MAS LEDtube 1500mm UO 20W 840 T8 EELB	4000 K	840	3,700 lm
38803100	MAS LEDtube 1500mm UO 20W 865 T8 EELB	6500 K	865	3,700 lm

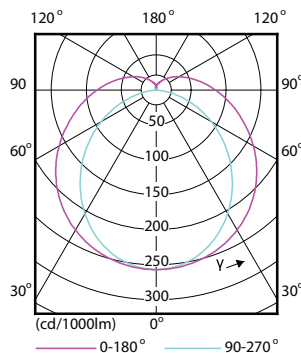
Operating and Electrical

Order Code	Full Product Name	Line Frequency	Power Consumption
68710900	MAS LEDtube 900mm HO 12W 865 T8	50 to 60 Hz	12 W
38793500	MAS LEDtube 1200mm UO 13.5W 830 T8 EELC	-	13.5 W
38795900	MAS LEDtube 1200mm UO 13.5W 840 T8 EELB	-	13.5 W
38797300	MAS LEDtube 1200mm UO 13.5W 865 T8 EELB	-	13.5 W

Order Code	Full Product Name	Line Frequency	Power Consumption
38799700	MAS LEDtube 1500mm UO 20W 830 T8 EELC	-	20 W
38801700	MAS LEDtube 1500mm UO 20W 840 T8 EELB	-	20 W
38803100	MAS LEDtube 1500mm UO 20W 865 T8 EELB	-	20 W

Approval and Application

Order Code	Full Product Name	Energy Consumption kWh/1000 h
68710900	MAS LEDtube 900mm HO 12W 865 T8	12 kWh
38793500	MAS LEDtube 1200mm UO 13.5W 830 T8 EELC	14 kWh
38795900	MAS LEDtube 1200mm UO 13.5W 840 T8 EELB	14 kWh
38797300	MAS LEDtube 1200mm UO 13.5W 865 T8 EELB	14 kWh
38799700	MAS LEDtube 1500mm UO 20W 830 T8 EELC	20 kWh
38801700	MAS LEDtube 1500mm UO 20W 840 T8 EELB	20 kWh
38803100	MAS LEDtube 1500mm UO 20W 865 T8 EELB	20 kWh



MASTER LED tube EM/Mains T8 with Recycled Plastic

