



# Classic heritage design

## Classic LED spotMV

Featuring a classic heritage design, Classic LEDspotMV delivers warm halogen-like light while saving around 90% on energy costs. It is compatible with most existing fixtures with a GU10 holder and is designed as a retrofit replacement for halogen or incandescent spots. LED lamps deliver significant energy savings and minimize maintenance costs.

### Benefits

- Long lifetime
- Huge energy savings
- Low heat generation.

### Features

- Classic heritage design
- Easy retrofit
- Energy-efficient

### Application

- Operating temperature range is between -20 °C and 45 °C ambient
- Only to be used in dry indoor environments; can be used in most open fixtures with GU10 lamp holders that offer sufficient space (10 mm free air space)
- Not intended for use with emergency lighting fixtures or exit lights

# Classic LED spotMV

## Versions



LED 25W G9 WW ND 3PF 6 DISC

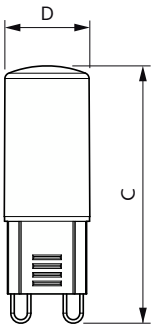
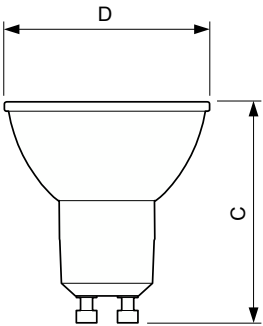


LED 40W G9 WW ND 3PF 6 DISC



LED 40W G9 WW 230V Dim SRT6

## Dimensional drawing



Product	D	C
LEDClassic 4.6W GU10 830 60D 2pack	50 mm	54 mm
LEDClassic 4.6W GU10 830 60D 6pack	50 mm	54 mm
LEDClassic 4.6W GU10 840 60D 2pack	50 mm	54 mm
LEDspots 4.6W GU10 830 60D	50 mm	54 mm
LEDspots 4.6W GU10 840 60D	50 mm	54 mm

Product	D	C
LED 25W G9 WH ND SRT6	14 mm	43 mm
LED 40W G9 WH ND SRT6	16 mm	52 mm
LED 40W G9 WW 230V Dim SRT6	18 mm	59 mm

# Classic LED spotMV

General Information	
Switching Cycle	50,000
Nominal lifetime	15,000 h
Light Technical	
Color rendering index (CRI)	80
LLMF At End Of Nominal Lifetime (Nom)	70 %
Operating and Electrical	
Input Frequency	50 to 60 Hz
Starting Time (Nom)	0.5 s
Approval and Application	
Ambient temperature range	-20 to +45 °C

## General Information

Order Code	Full Product Name	Cap-Base	Order Code	Full Product Name	Cap-Base
929001287691	LEDspots 4.6W GU10 830 60D	GU10	929001287792	LEDClassic 4.6W GU10 840 60D 2pack	GU10
929001287692	LEDClassic 4.6W GU10 830 60D 2pack	GU10	929003790601	LED 25W G9 WH ND SRT6	G9
929001287698	LEDClassic 4.6W GU10 830 60D 6pack	GU10	929003790901	LED 40W G9 WH ND SRT6	G9
929001287791	LEDspots 4.6W GU10 840 60D	GU10	929003791248	LED 40W G9 WW 230V Dim SRT6	G9

## Light Technical

Order Code	Full Product Name	Beam Angle (Nom)	Correlated Color Temperature (Nom)	Color Code	Luminous Flux	Luminous Intensity (Nom)
929001287691	LEDspots 4.6W GU10 830 60D	60 degree(s)	3000 K	830	410 lm	450 cd
929001287692	LEDClassic 4.6W GU10 830 60D 2pack	60 degree(s)	3000 K	830	410 lm	450 cd
929001287698	LEDClassic 4.6W GU10 830 60D 6pack	60 degree(s)	3000 K	830	410 lm	450 cd
929001287791	LEDspots 4.6W GU10 840 60D	60 degree(s)	4000 K	840	430 lm	450 cd
929001287792	LEDClassic 4.6W GU10 840 60D 2pack	60 degree(s)	4000 K	840	430 lm	450 cd
929003790601	LED 25W G9 WH ND SRT6	320 degree(s)	3000 K	830	220 lm	-
929003790901	LED 40W G9 WH ND SRT6	320 degree(s)	3000 K	830	470 lm	-
929003791248	LED 40W G9 WW 230V Dim SRT6	320 degree(s)	2700 K	827	480 lm	-

## Operating and Electrical

Order Code	Full Product Name	Power Consumption	Wattage Equivalent	Order Code	Full Product Name	Power Consumption	Wattage Equivalent
929001287691	LEDspots 4.6W GU10 830 60D	4.6 W	50 W	929001287792	LEDClassic 4.6W GU10 840 60D 2pack	4.6 W	50 W
929001287692	LEDClassic 4.6W GU10 830 60D 2pack	4.6 W	50 W	929003790601	LED 25W G9 WH ND SRT6	1.9 W	25 W
929001287698	LEDClassic 4.6W GU10 830 60D 6pack	4.6 W	50 W	929003790901	LED 40W G9 WH ND SRT6	3.7 W	40 W
929001287791	LEDspots 4.6W GU10 840 60D	4.6 W	50 W	929003791248	LED 40W G9 WW 230V Dim SRT6	4 W	40 W

## Temperature

# Classic LED spotMV

Order Code	Full Product Name	T-Case Maximum (Nom)
929001287691	LEDspots 4.6W GU10 830 60D	80 °C
929001287692	LEDClassic 4.6W GU10 830 60D 2pack	80 °C
929001287698	LEDClassic 4.6W GU10 830 60D 6pack	80 °C
929001287791	LEDspots 4.6W GU10 840 60D	80 °C

Order Code	Full Product Name	T-Case Maximum (Nom)
929001287792	LEDClassic 4.6W GU10 840 60D 2pack	80 °C
929003790601	LED 25W G9 WH ND SRT6	92 °C
929003790901	LED 40W G9 WH ND SRT6	105 °C
929003791248	LED 40W G9 WW 230V Dim SRT6	93 °C

## Controls and Dimming

Order Code	Full Product Name	Dimmable
929001287691	LEDspots 4.6W GU10 830 60D	No
929001287692	LEDClassic 4.6W GU10 830 60D 2pack	No
929001287698	LEDClassic 4.6W GU10 830 60D 6pack	No
929001287791	LEDspots 4.6W GU10 840 60D	No

Order Code	Full Product Name	Dimmable
929001287792	LEDClassic 4.6W GU10 840 60D 2pack	No
929003790601	LED 25W G9 WH ND SRT6	No
929003790901	LED 40W G9 WH ND SRT6	No
929003791248	LED 40W G9 WW 230V Dim SRT6	Only with specific dimmers

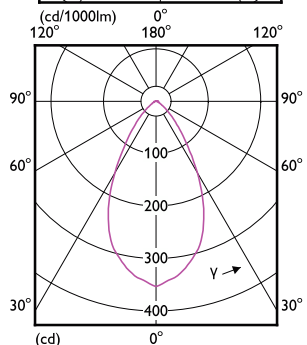
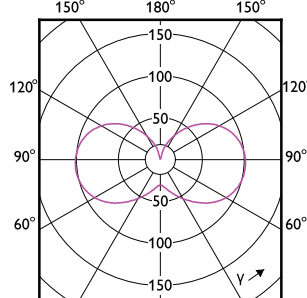
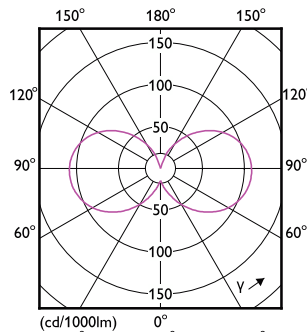
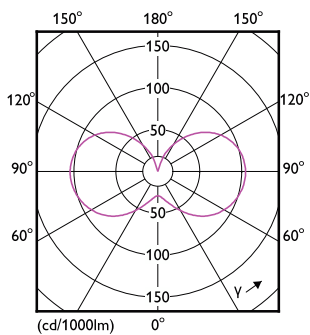
## Mechanical and Housing

Order Code	Full Product Name	Bulb Finish	Bulb Shape
929001287691	LEDspots 4.6W GU10 830 60D	Clear	PAR16
929001287692	LEDClassic 4.6W GU10 830 60D 2pack	Clear	PAR16
929001287698	LEDClassic 4.6W GU10 830 60D 6pack	Clear	PAR16
929001287791	LEDspots 4.6W GU10 840 60D	Clear	PAR16

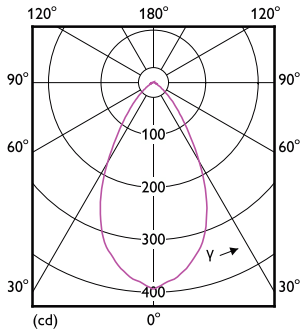
Order Code	Full Product Name	Bulb Finish	Bulb Shape
929001287792	LEDClassic 4.6W GU10 840 60D 2pack	Clear	PAR16
929003790601	LED 25W G9 WH ND SRT6	Frosted	G9
929003790901	LED 40W G9 WH ND SRT6	Frosted	G9
929003791248	LED 40W G9 WW 230V Dim SRT6	Frosted	G9

## Approval and Application

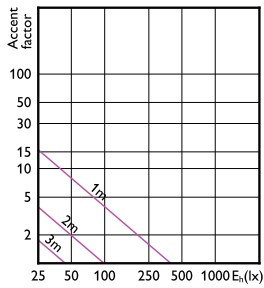
Order Code	Full Product Name	Energy Consumption kWh/1000 h
929001287691	LEDspots 4.6W GU10 830 60D	-
929001287692	LEDClassic 4.6W GU10 830 60D 2pack	-
929001287698	LEDClassic 4.6W GU10 830 60D 6pack	-
929001287791	LEDspots 4.6W GU10 840 60D	-
929001287792	LEDClassic 4.6W GU10 840 60D 2pack	-
929003790601	LED 25W G9 WH ND SRT6	2 kWh
929003790901	LED 40W G9 WH ND SRT6	4 kWh
929003791248	LED 40W G9 WW 230V Dim SRT6	4 kWh



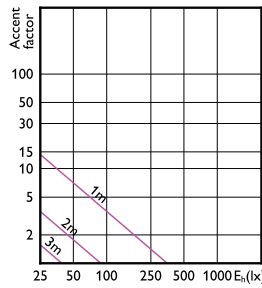
# Classic LED spotMV



## Accent Diagrams

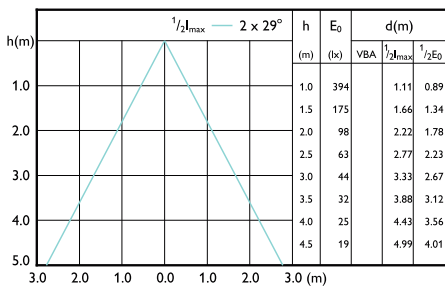


Accent Diagram - LEDspots 4.6W GU10 840 60D

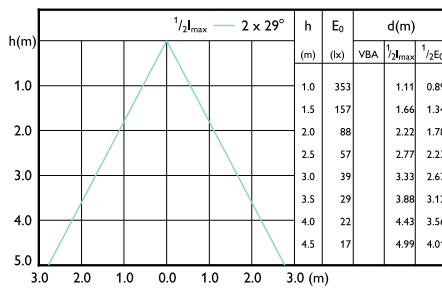


Accent Diagram - LEDspots 4.6W GU10 830 60D

## Beam Diagrams



Beam diagram - LEDspots 4.6W GU10 840 60D



Beam diagram - LEDspots 4.6W GU10 830 60D

