



**Higher 30K lumen
with high efficacy
upto 190 lm/w to
optimize battery and
panel, world class
components combined
with most durable
design.**

GreenVision Xceed Gen2 High Efficacy Solar

Comprehensive range of solar street lights to 30000 lumens, with upto 190 lm/w efficacy, and option of hybrid versions. Suitable for major roads, highways and parking areas. configurable dimming profile and load wattage.

Features

- High luminous efficacy upto 190lm/watt
- Compatible with multiple battery types (LiFePO4, GEL)
- Available in both offgrid and hybrid versions
- Configurable dimming profile and load wattage
- Pressure die-cast aluminum housing for sturdiness and excellent thermal management

GreenVision Xceed Gen2 High Efficacy Solar

Application

- Highways
- Street
- Road
- Parking

Versions



GreenVision Xceed Gen2 High Efficacy Solar



GreenVision Xceed Gen2 High Efficacy Solar



GreenVision Xceed Gen2 High Efficacy Solar



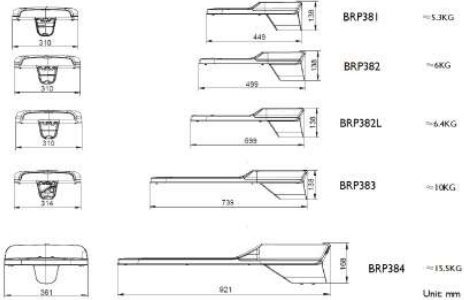
GreenVision Xceed Gen2 High Efficacy Solar



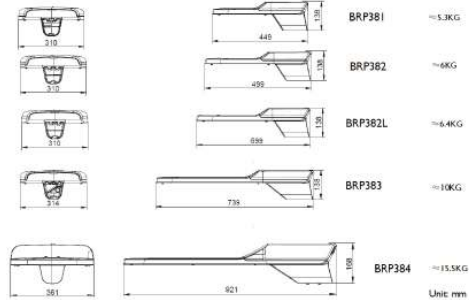
GreenVision Xceed Gen2 High Efficacy Solar

Dimensional drawing

Product Size



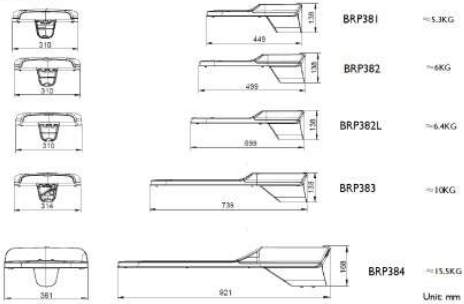
Product Size



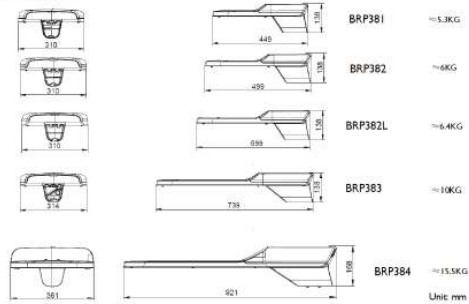
GreenVision Xceed Gen2 High Efficacy Solar

Dimensional drawing

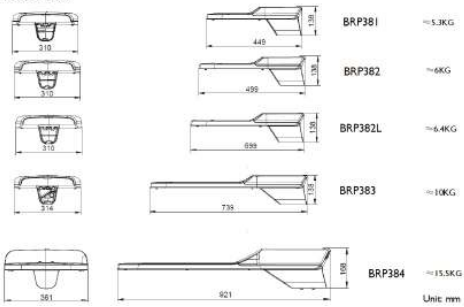
Product Size



Product Size



Product Size



Light Technical

Correlated Color Temperature (Nom)	5700 K
Color rendering index (CRI)	>70

Operating and Electrical

Grid connection type	Offgrid and hybrid (separate Hybrid Charger)
----------------------	--

Controls and Dimming

Dimmable	Yes
Configurability	Configurable
Solar dimming profile	As per charge controler settings

Mechanical and Housing

Battery location	No
Housing Color	Gray
Ingress protection code	IP66

Approval and Application

Ambient temperature range	-40 to +50 °C
---------------------------	---------------

Mechanical and Housing

Order Code	Full Product Name	Overall height	Overall length	Overall width
97936100	BRP383 LED 310/757 174W DM A5	138 mm	739 mm	310 mm
97934700	BRP382 LED 270/757 173W DM A5	138 mm	499 mm	310 mm
97937800	BRP384 LED 320/757 174W DM A5	168 mm	921 mm	361 mm
97935400	BRP382L LED 290/757 174W DM A5	138 mm	599 mm	310 mm
97933000	BRP381 LED 220/757 140W DM A5	138 mm	449 mm	310 mm

GreenVision Xceed Gen2 High Efficacy Solar

