



**Higher 30K lumen
with high efficacy
upto 190 lm/w to
optimize battery and
panel, world class
components combined
with most durable
design.**

GreenVision Xceed Gen2 High Efficacy Solar

Comprehensive range of solar street lights to 30000 lumens, with upto 190 lm/w efficacy, and option of hybrid versions. Suitable for major roads, highways and parking areas. configurable dimming profile and load wattage.

Features

- High luminous efficacy upto 190lm/watt
- Compatible with multiple battery types (LiFePO4, GEL)
- Available in both offgrid and hybrid versions
- Configurable dimming profile and load wattage
- Pressure die-cast aluminum housing for sturdiness and excellent thermal management

GreenVision Xceed Gen2 High Efficacy Solar

Application

- Highways
- Street
- Road
- Parking

Versions



GreenVision Xceed Gen2 High Efficacy Solar



GreenVision Xceed Gen2 High Efficacy Solar



GreenVision Xceed Gen2 High Efficacy Solar



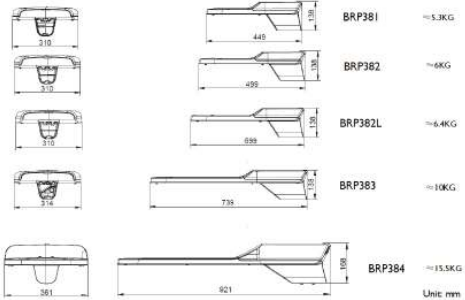
GreenVision Xceed Gen2 High Efficacy Solar



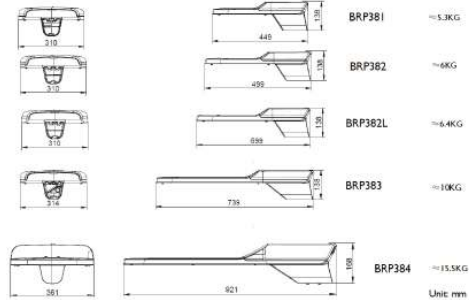
GreenVision Xceed Gen2 High Efficacy Solar

Dimensional drawing

Product Size



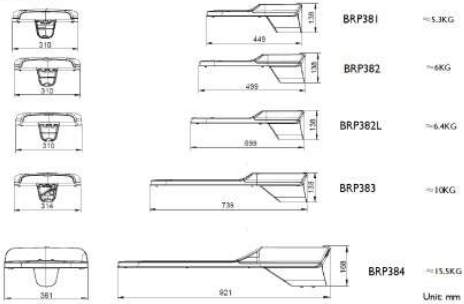
Product Size



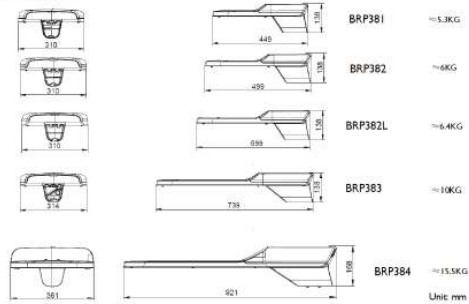
GreenVision Xceed Gen2 High Efficacy Solar

Dimensional drawing

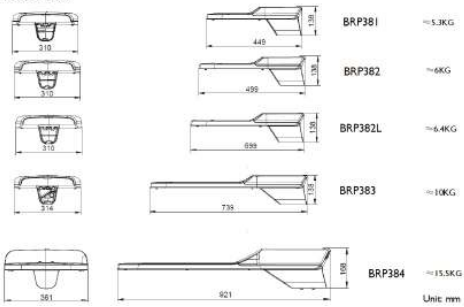
Product Size



Product Size



Product Size



Light Technical

| | |
|------------------------------------|--------|
| Correlated Color Temperature (Nom) | 5700 K |
| Color rendering index (CRI) | >70 |

Operating and Electrical

| | |
|----------------------|--|
| Grid connection type | Offgrid and hybrid (separate Hybrid Charger) |
|----------------------|--|

Controls and Dimming

| | |
|-----------------------|-------------------------------------|
| Dimmable | Yes |
| Configurability | Configurable |
| Solar dimming profile | As per charge controler settings |

Mechanical and Housing

| | |
|-------------------------|------|
| Battery location | No |
| Housing Color | Gray |
| Ingress protection code | IP66 |

Approval and Application

| | |
|---------------------------|---------------|
| Ambient temperature range | -40 to +50 °C |
|---------------------------|---------------|

Mechanical and Housing

| Order Code | Full Product Name | Overall height | Overall length | Overall width |
|--------------|--------------------------------|----------------|----------------|---------------|
| 911401651508 | BRP383 LED 310/757 174W DM A5 | 138 mm | 739 mm | 310 mm |
| 911401651708 | BRP382 LED 270/757 173W DM A5 | 138 mm | 499 mm | 310 mm |
| 911401651408 | BRP384 LED 320/757 174W DM A5 | 168 mm | 921 mm | 361 mm |
| 911401651608 | BRP382L LED 290/757 174W DM A5 | 138 mm | 599 mm | 310 mm |
| 911401651808 | BRP381 LED 220/757 140W DM A5 | 138 mm | 449 mm | 310 mm |

GreenVision Xceed Gen2 High Efficacy Solar

