

Signify

CT NODE NEMA

LLC7813/00



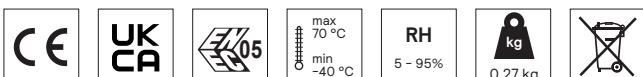
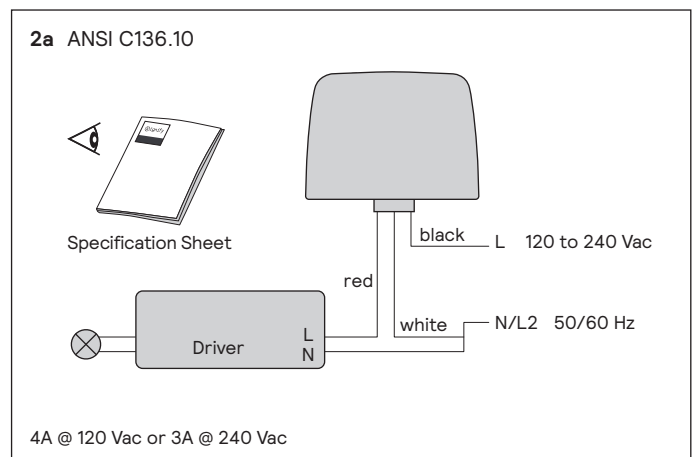
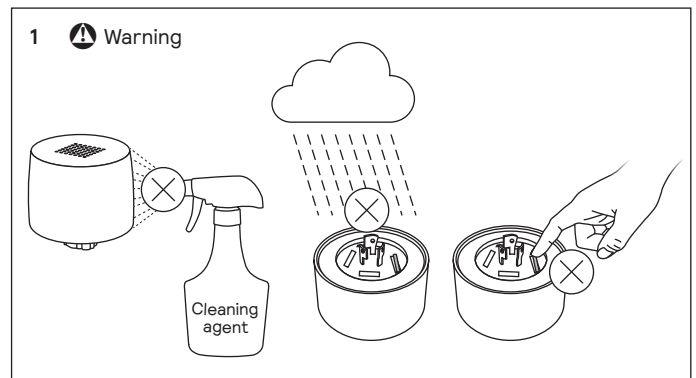
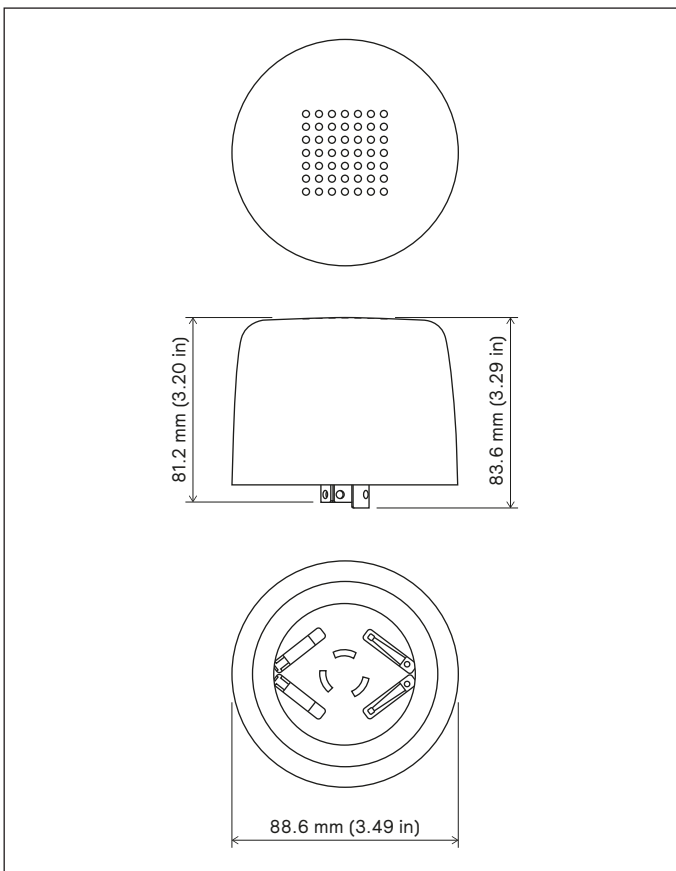
Installation instructions

Instructions d'installation
Instrucciones de instalación

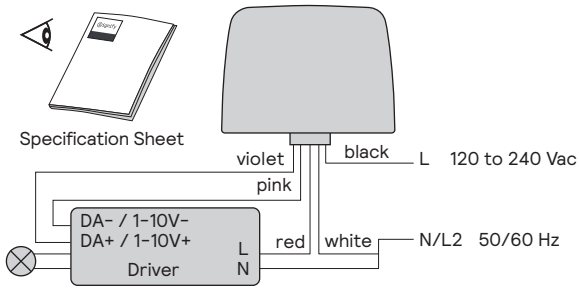
Istruzioni per l'installazione
Installatie-instructies

Installationsanweisungen
インストール手順

安装指示书
إرشادات التركيب

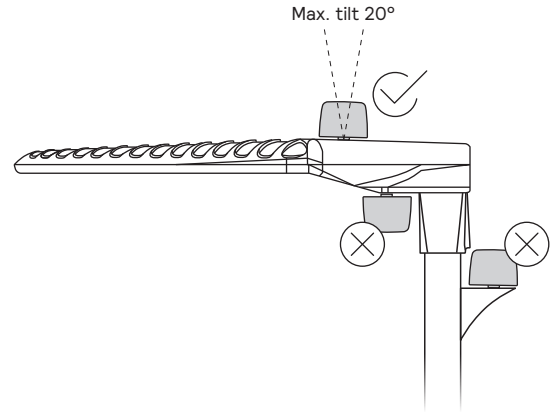


2b ANSI C136.41

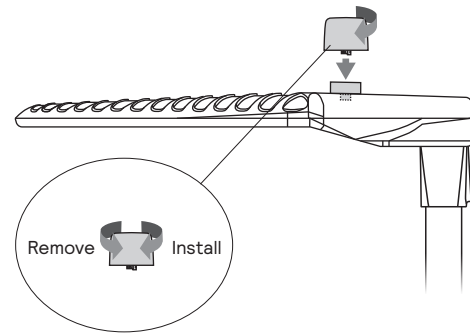
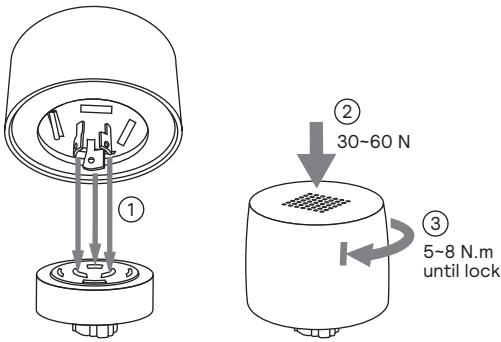


4A at 120 Vac or 3A at 240 Vac

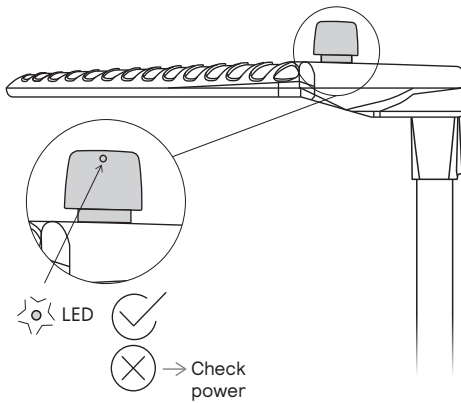
3



4



5



Note

There shall be an external fuse or MCB in the Line connection with a current rating of 16A or less.

Note

LLC7813/00 can only be used in overvoltage category II environment classified as IT equipment.

Warning

Do not use any chemical cleaning agents on the LLC7813/00.

Hereby, Signify declares that the radio equipment type LLC7813/00 is in compliance with Directive 2014/53/EU. The full text of the EU declaration of conformity is available at the following Internet address: www.signify.com/red



© 2023–2025 Signify Holding. All rights reserved. The information provided herein is subject to change, without notice. Signify does not give any representation or warranty as to the accuracy or completeness of the information included herein and shall not be liable for any action in reliance thereon. The information presented in this document is not intended as any commercial offer and does not form part of any quotation or contract, unless otherwise agreed by Signify. All trademarks are owned by Signify Holding or their respective owners.

UK importer address:
Signify Commercial UK Limited
2 Guildford Business Park
GU2 8XG, UK

