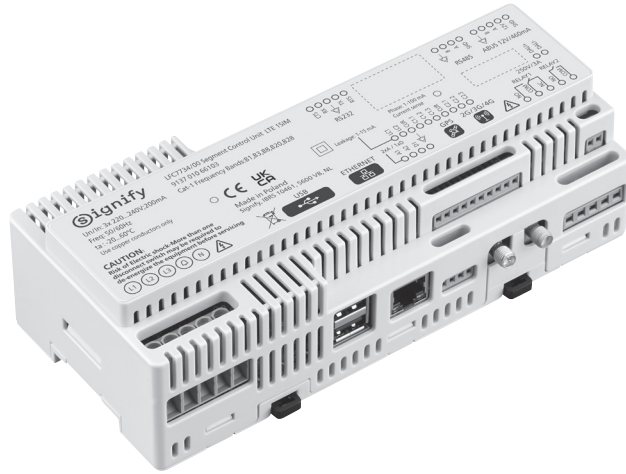




Segment Control Unit

LFC7731, LFC7732, LFC7733,
LFC7734, LFC7735



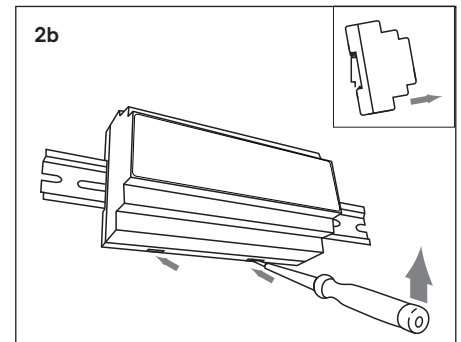
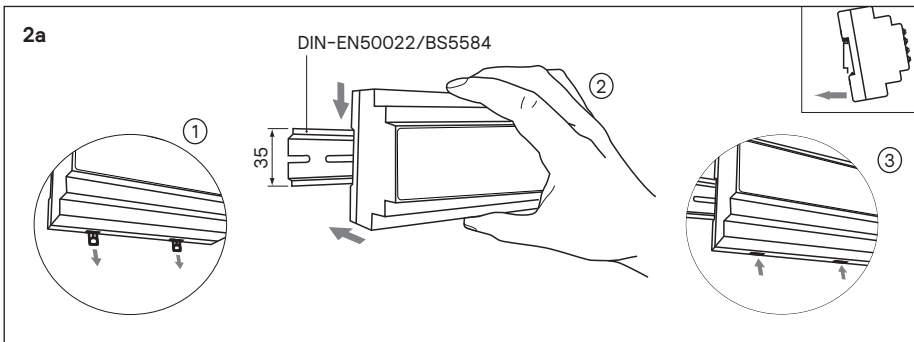
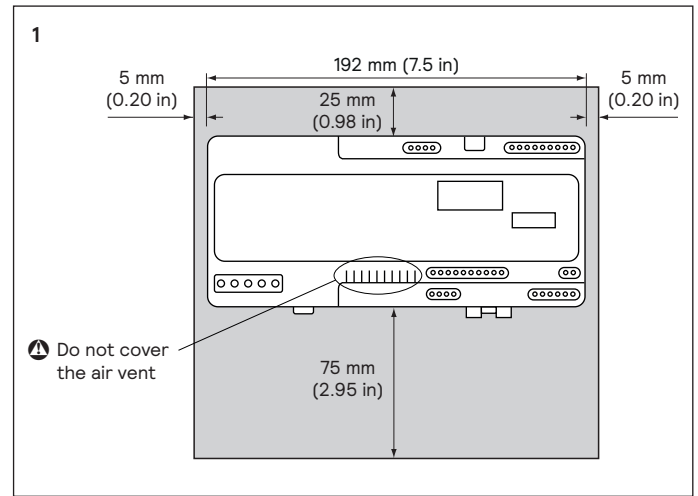
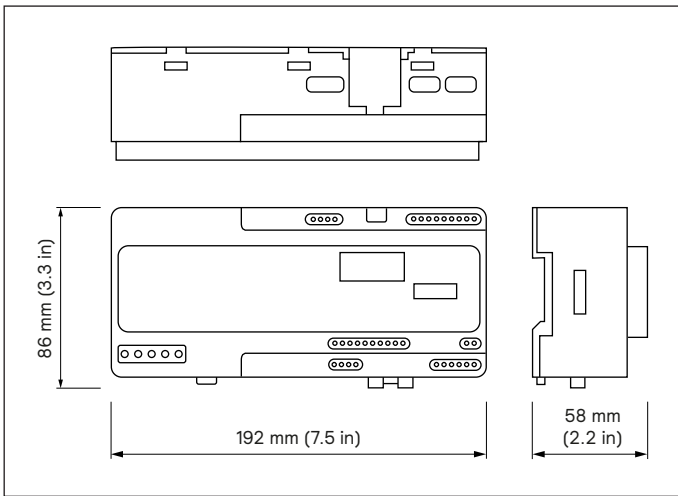
Installation instructions

Instructions d'installation
Instrucciones de instalación

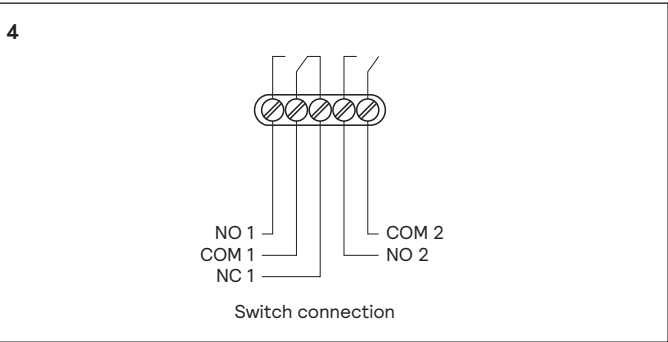
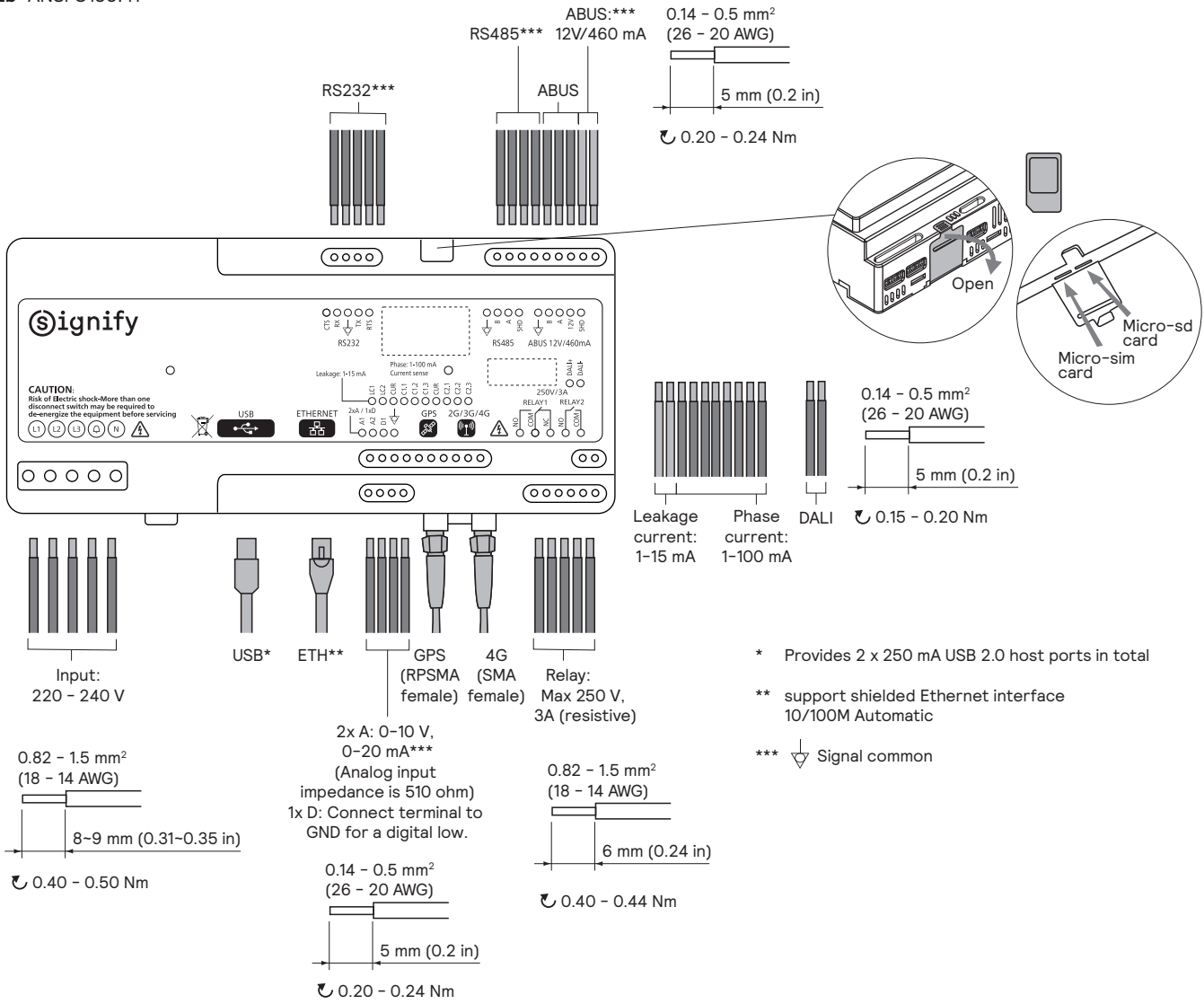
Istruzioni per l'installazione
Installatie-instructies

Installationsanweisungen
インストール手順

安裝指示书
ارشادات التركيب



2b ANSI C136.41



- Note**
LFC7734, LFC7735 Pre-installed SIM inside
RCM label is applicable for LFC7733 only
- Warning**
FIRE HAZARD. If the temperature of the battery gets higher than the specified highest temperature range listed in the battery specifications, there is a potential risk of overheating and/or fire. To reduce this risk, please ensure that you use the product in accordance with the specifications provided, and do not expose it to extreme temperatures. If you notice the temperature of the battery getting higher than usual, please stop using the product immediately. Signify cannot be held responsible for any damage or injury caused by use of this product outside the specifications.

Hereby, Signify declares that the radio equipment types LFC7731, LFC7732, LFC7733, LFC7734, LFC7735 are in compliance with Directive 2014/53/EU. The full text of the EU declaration of conformity is available at the following internet address: www.signify.com/red



© 2021-2025 Signify Holding. All rights reserved. The information provided herein is subject to change, without notice. Signify does not give any representation or warranty as to the accuracy or completeness of the information included herein and shall not be liable for any action in reliance thereon. The information presented in this document is not intended as any commercial offer and does not form part of any quotation or contract, unless otherwise agreed by Signify. All trademarks are owned by Signify Holding or their respective owners.

UK importer address:
Signify Commercial UK Limited
2 Guildford Business Park
GU2 8XG, UK

