

Signify

Coded Mains Transmitter

LFC7710/00



Installation instructions

Instructions d'installation

Instrucciones de instalación

Istruzioni per l'installazione

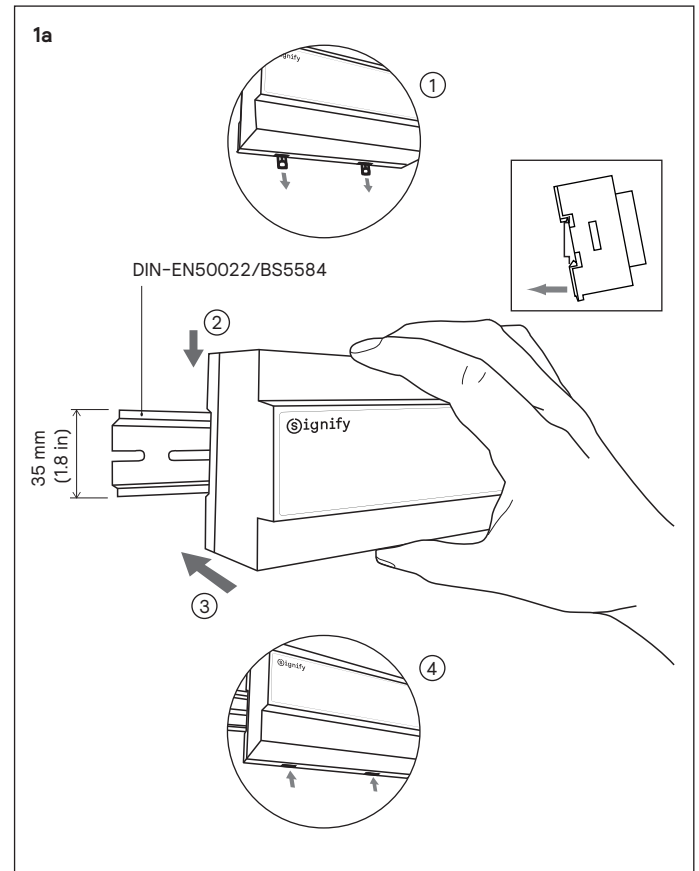
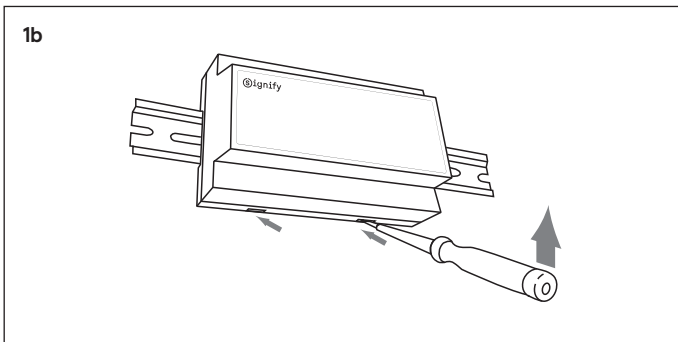
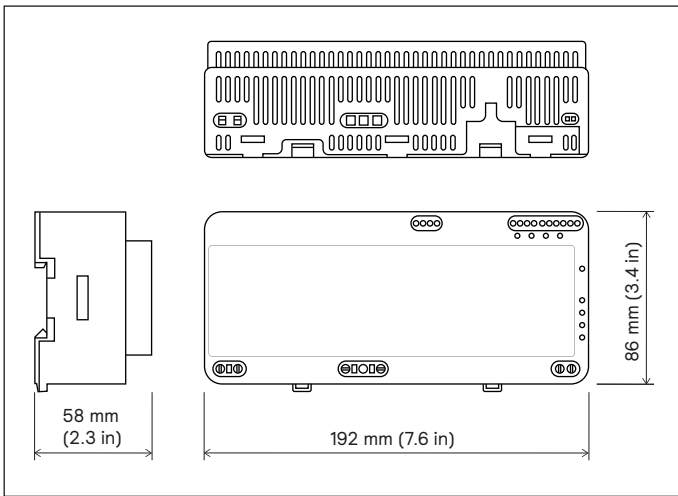
Installatie-instructies

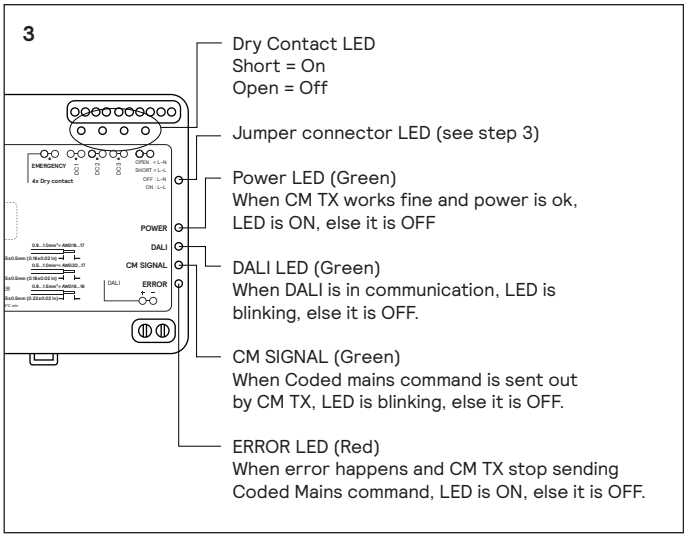
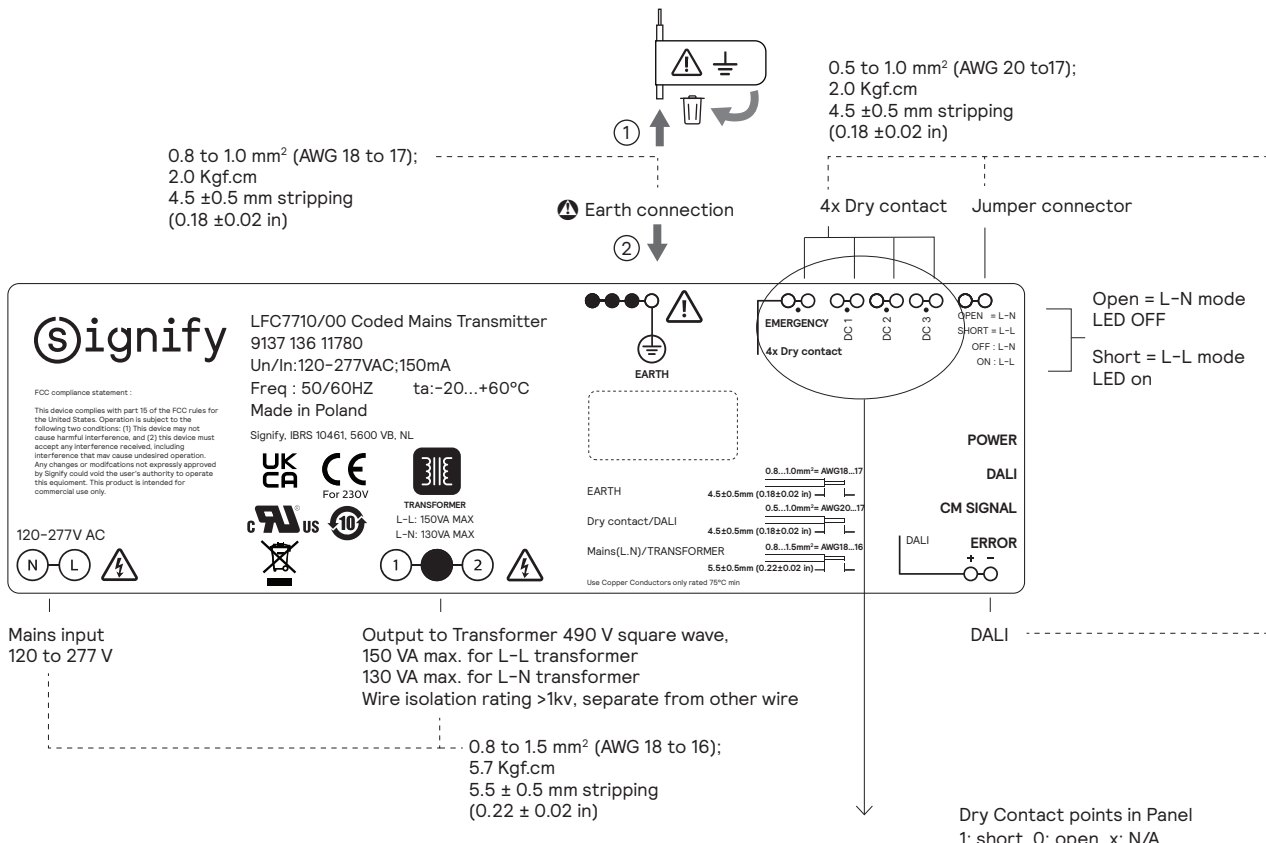
Installationsanweisungen

インストール手順

安裝指示书

إرشادات التركيب





Scene	DIM Level (%)	Emergency	DC1	DC2	DC3
Sc3	10	0	1	1	1
Sc5	50	0	0	1	1
Sc6	60	0	1	0	1
Sc7	75	0	0	0	1
Sc8	80	0	1	1	0
Sc10	90	0	0	1	0
Sc12	100	1	x	x	x
Diagnostic		0	1	0	0
DALI control		0	0	0	0

Note: dim levels are the default levels assigned to scene numbers and might change due to configuration of either receiver or transmitter.

⚠ Caution

(EN) Safety and High Voltage Warning

Ensure that the AC power mains are turned OFF before handling the mains wiring, or connecting any power mains cabling to the LFC7710/00 device.

(FR) Restrictions haute tension et sécurité

Assurez-vous que les prises secteur de courant CA sont désactivées avant de manipuler les câblages secteur ou de connecter toute source d'alimentation à l'appareil LFC7710/00.

(ES) Advertencia sobre seguridad y alta tensión

Asegúrese de que la corriente de red CA esté apagada antes de manipular los cables de red eléctrica o de conectar cualquier cable de red eléctrica al dispositivo LFC7710/00.

(IT) Avvertenza sulla sicurezza e sull'alta tensione

Assicurarsi che l'impianto elettrico CA sia spento prima di maneggiare il cablaggio elettrico o di collegare eventuali cavi elettrici al dispositivo LFC7710/00.

(NL) Veiligheid en waarschuwing voor hoogspanning

Zorg dat de netspanning is afgesloten voordat u de netspanningsdraden vastpakt of netspanningskabels op de LFC7710/00 aansluit.

(DE) Sicherheits- und Hochspannungswarning

Stellen Sie sicher, dass die Stromversorgung AUSGESCHALTET ist, bevor Sie Netzkabel berühren oder mit dem LFC7710/00-Gerät verbinden

(JA) 安全および高電圧に関する警告

配電線を取り扱う前、または LFC7710/00 デバイスに送電する電力線を接続する前に、必ず、AC 電源を「オフ」にしてください。

(ZH) 安全与高压电警告

请确保先关闭交流电路,然后再操作电源连线或者将任何电源线路连接至 LFC7710/00 设备

Electrical installation requirements LFC7710

Electrical installation of the tunnel which is used as a "transmission medium" for Coded Mains (CM) communication SHALL be guaranteed to be "clear" of any earth leakages, harmonics or other distortions that could interfere with and impact the CM signal.

Stated below **pre-conditions for a 3-phase electrical installation** shall be verified and confirmed for the successful operations of CM technology.

Please note that the statement shall express mandatory requirement that needs to be completely fulfilled.

Signal to Noise Ratio (SNR)

Signal to Noise Ratio (SNR) of electrical installation must be proved to be in acceptable limits of **less than 0.5 V for the noise signal**. Signify diagnostic tool Coded Mains Assistant LRV7750, **should** be used to check for correctness.

Earthing

Electrical installation's outgoing Line/Neutral shall NOT be earthed. Leakage current **less than 100 mA** shall be guaranteed.

Total Harmonics Distortion (THD)

Total Harmonics Distortion (THD) in electrical installation should be ok. Special attention has to be paid to the third harmonic in particular (with a frequency of 150 Hz for a 50 Hz mains-supply system and 180 Hz for a 60 Hz mains-supply system) which could create an oscillating current in the neutral wire of the electrical installation causing disruptive interference to CM communication.

With the Signify diagnostic tool Coded Mains Assistant this **should** be checked.

Coded Mains (CM) Transmitter and Transformer

Usage of any transformer(s) between CM transmitter and light points to be controlled is NOT allowed.

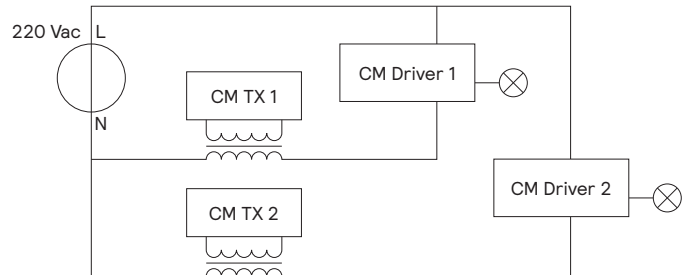
CM transmitter Earth terminal SHALL be earthed with 0.8 to 1.0 mm² (AWG 18 to 17) wire with 4.5 ± 0.5 mm stripping (0.18 ± 0.02 in).

Cable length **less than 3 m (10 ft)** shall be considered between CM transmitter and transformer.

Current limit of 63 A max shall be guaranteed on Neutral line when using L-N CM Transformer.

Current limit of 25.6 A max shall be guaranteed on any of phase lines (R, S, T) when using L-L CM Transformer.

Transmitter and transformer **cannot** be connected in series. Following connection scheme is mandatory to be implemented:



Luminaries

In order to ensure an equal loading of each phase line adjacent luminaries shall be connected to different phase lines in repeating rotation sequence – R, S, T.



© 2018–2025 Signify Holding. All rights reserved. The information provided herein is subject to change, without notice. Signify does not give any representation or warranty as to the accuracy or completeness of the information included herein and shall not be liable for any action in reliance thereon. The information presented in this document is not intended as any commercial offer and does not form part of any quotation or contract, unless otherwise agreed by Signify. All trademarks are owned by Signify Holding or their respective owners.

4422 953 97194, 18 September 2025

UK importer address:
Signify Commercial UK Limited
2 Guildford Business Park
GU2 8XG, UK

www.signify.com/products

