

**signify**

Surge Guard

LFC7590/01



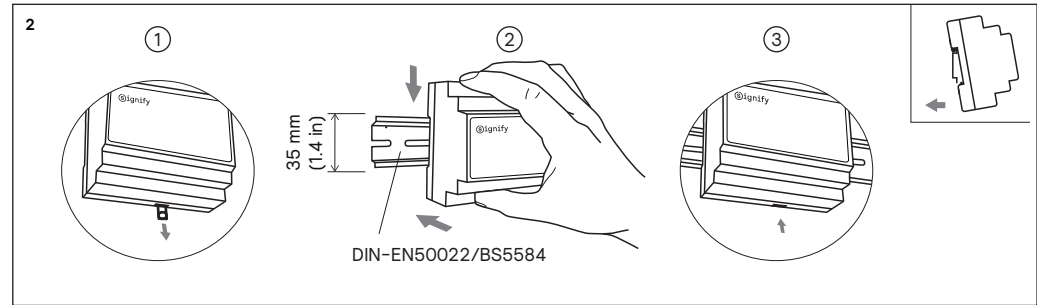
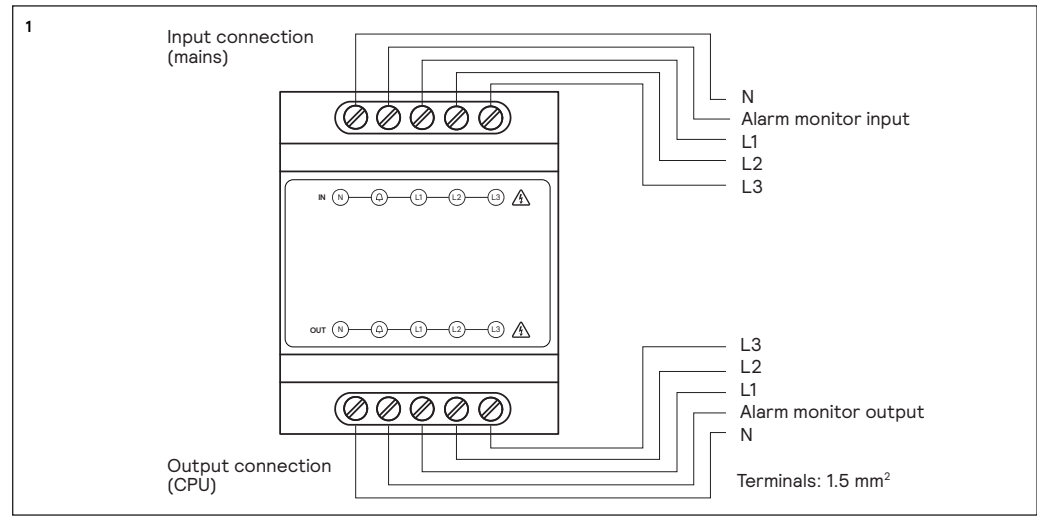
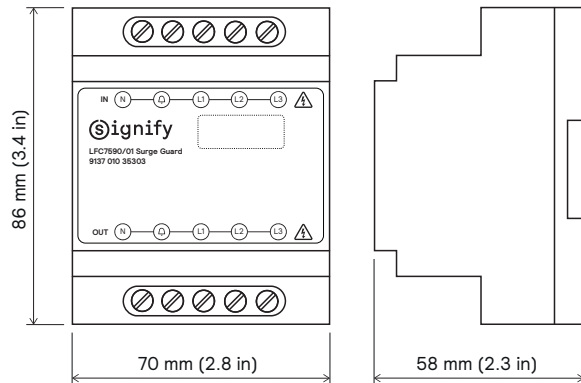
# Installation instructions

Instructions d'installation  
Instrucciones de instalación

Istruzioni per l'installazione  
Installatie-instructies

Installationsanweisungen  
インストール手順

安装指示书  
بييفرئتل تاداشر!



## ⚠ Cautions

- Wiring to be done by qualified Electrician or Installer.
- Make sure all primary inputs are disconnected from mains before making any changes in the installation.
- Always make sure the Input voltage is via 6A C type Circuit Breaker
- This product to be used ONLY with LCN77XX Segment control Unit or to replace LFC7580
- Wiring changes in this version with respect to Ampguard (LFC7580)

**signify**

© 2018-2025 Signify Holding. All rights reserved. The information provided herein is subject to change, without notice. Signify does not give any representation or warranty as to the accuracy or completeness of the information included herein and shall not be liable for any action in reliance thereon. The information presented in this document is not intended as any commercial offer and does not form part of any quotation or contract, unless otherwise agreed by Signify. All trademarks are owned by Signify Holding or their respective owners.  
4422 800 42001, 15 September 2025

UK importer address:  
Signify Commercial UK Limited  
2 Guildford Business Park  
GU2 8XG, UK

www.signify.com/products

