



Keene LytePro Garage and Canopy luminaires, powered by the cutting-edge SpiroGuide light engine, offer exceptional photometric performance and visually comfortable, lower glare lighting. Enhance patrons' senses of safety and security, and enjoy energy savings with leading efficacy and multiple control options. LytePro Garage and Canopy is the perfect choice: it's easy to specify, easy to install, and easy on your budget. Includes Service Tag, Signify's innovative way to provide assistance throughout the life of the product.

Project: _____
 Location: _____
 Cat.No: _____
 Type: _____
 Lamps: _____ Qty: _____
 Notes: _____

Ordering guide

Example: LPGC-A03-840-5SQ-SUR-UNV-WIAPLW-ER100-UPL-WH

Prefix	Configuration (nominal lumens)	Color Temperature	Distribution	Mounting	Voltage
LPGC					
LPGC LytePro Garage and Canopy	A01 2,000 lumens	830 80CRI, 3000K	5SQ Type 5 Square	SUR Surface mount/indirect pendant mount (pendant and junction box by others)	120V 120VAC
	A02 4,000 lumens	840 80CRI, 4000K	5CD Type 5 Concentrated Downlight		208V 208VAC
	A03 6,000 lumens			PEN Direct pendant mount, (pendant and junction box by others)	240V 240VAC
	A04 7,500 lumens				277V 277VAC
	A05 10,000 lumens				UNV Universal 120-277VAC
				347V 347VAC	
				480V 480VAC	
				HVU High Voltage Universal 347-480VAC	

Options					
Dimming Controls	Emergency	Electrical	Uplight	Color	
None Leave blank (Choose only one; 0-10V dimming driver always standard)	None Leave blank (Choose only one; only 120V, 208V, 240V, 277V, or UNV; No 347V, 480V or HVU)	Fusing	Blank No uplight (standard - available with either MG or WH color)	MG Medium Gray (opaque)	
BL20MW Bi-level set at 20% dimming, factory re-programming only, microwave motion sensor (only 120V, 208V, 240V, 277V, UNV, or 347V. No 480V or HVU).	BR UL924 listed emergency bypass relay to bypass MW dimming, integral (-25°C to +40°C / -13°F to +104°F) (only for use with BL20MW or BLFPMW)	None Leave blank	UPL Uplight (WH translucent required, not available with MG)	WH Luminous White (translucent)	
BLFPMW Bi-level set at 20% dimming, field programming with HRP remote (see Accessories), microwave motion sensor (only 120V, 208V, 240V, 277V, or UNV; No 347V, 480V, or HVU)		FS1 Single Fuse (120V, 277V, or 347V - must specify applicable input voltage, not available with 208V, 240V, UNV, 480V, or HVU)			
WIAPLW Wireless Interact (includes SR driver and SR receptacle), low (7'-15' mounting height) sensor white color housing (only 120V, 208V, 240V, 277V, or UNV; No 347V, 480V or HVU)	ER100 UL924 listed emergency relay to bypass WIAP wireless dimming, integral (-30°C to +40°C / -22°F to +104°F) (only for use with WIAPLW) (must be installed in conjunction with a UL1008 device such as a transfer switch at the electrical panel)	Surge Protection			
		EM UL924 listed emergency battery pack (0°C to +40°C / +32°F to +104°F)	Blank SP1 Surge Protector 10kV/10kA (standard)		

LPGC LytePro Garage and Canopy

Garage & Canopy luminaire

Accessories* (ordered separately, field installed)

LPES	LEED and Perimeter External Shield, for LEED Light Pollution/Trespass reduction, reducing glare and property line light trespass outside garage	HRP	Handheld remote for programming BLFPMW Microwave Sensor (at least 1 required per site)	J-BOX SCE	Junction box with (4) four side conduit entries, for surface conduit
IRT9015	Handheld remote for grouping and configuration of Wireless Interact WIAPLW (at least 1 required per site or use the Interact Pro App)	BXK	Bird excluding spikes (fits on Pendant - does not fit on and not necessary for Surface, negligible uplight impact)		

LED Wattage and Lumen Values

No uplight - 80CRI

Ordering Code	Color Temp.	Average System Watts (W)	5SQ			5CD		
			Lumen Output	BUG Rating	Efficacy (LPW)	Lumen Output	BUG Rating	Efficacy (LPW)
LPGC-A01-830	3000	11	1885	B1-U0-G1	164	1896	B1-U0-G1	165
LPGC-A02-830	3000	22	3706	B2-U0-G1	167	3727	B2-U0-G1	168
LPGC-A03-830	3000	38	6071	B3-U0-G1	162	6104	B3-U0-G1	163
LPGC-A04-830	3000	47	7570	B3-U0-G1	160	7611	B3-U0-G1	161
LPGC-A05-830	3000	60	9431	B3-U0-G1	157	9482	B3-U0-G2	157
LPGC-A01-840	4000	11	2013	B1-U0-G1	176	2024	B1-U0-G1	177
LPGC-A02-840	4000	22	3957	B2-U0-G1	178	3979	B2-U0-G1	179
LPGC-A03-840	4000	38	6482	B3-U0-G1	173	6518	B3-U0-G1	174
LPGC-A04-840	4000	47	8082	B3-U0-G1	171	8126	B3-U0-G1	172
LPGC-A05-840	4000	60	10069	B3-U0-G2	167	10124	B3-U0-G2	168

With uplight - 80CRI

Ordering Code	Color Temp.	Average System Watts (W)	5SQ-UPL			5CD-UPL		
			Lumen Output	BUG Rating	Efficacy (LPW)	Lumen Output	BUG Rating	Efficacy (LPW)
LPGC-A01-830	3000	11	1843	B1-U3-G1	162	1850	B1-U3-G1	163
LPGC-A02-830	3000	24	3922	B2-U3-G1	164	3936	B2-U3-G1	164
LPGC-A03-830	3000	38	6027	B2-U3-G1	160	6047	B2-U3-G1	160
LPGC-A04-830	3000	48	7503	B3-U3-G1	157	7528	B3-U3-G1	158
LPGC-A05-830	3000	60	9248	B3-U4-G1	154	9280	B3-U4-G2	155
LPGC-A01-840	4000	11	1958	B1-U3-G1	171	1965	B1-U3-G1	172
LPGC-A02-840	4000	24	4165	B2-U3-G1	174	4180	B2-U3-G1	174
LPGC-A03-840	4000	38	6401	B3-U3-G1	170	6422	B2-U3-G1	170
LPGC-A04-840	4000	48	7968	B3-U4-G1	167	7995	B3-U4-G2	168
LPGC-A05-840	4000	60	9822	B3-U4-G1	164	9856	B3-U4-G2	164

Values from photometric tests performed in accordance with IESNA LM-79 and are representative of the configurations shown. Actual performance may vary due to installation and environmental variables, LED and driver tolerances, and field measurement considerations. It is highly recommended to confirm performance with a photometric layout.

NOTE: Some data may be scaled based on tests of similar (but not identical) luminaires. Contact factory for configurations not shown.

EM Emergency mode

Ordering Code	Approximate average lumen output*	Recommended mounting height to meet ANSI/IES RP-8
LPGC, EM	1,000	10ft

*For the EM emergency mode option, the published value is based on approximate averages across all CCTs and all distributions assuming a 10 foot mounting height to meet ANSI/IES RP-8 17.5.1.3 Recommended Light Levels for Emergency Lighting.. It is highly recommended to confirm with a photometric layout that emergency performance meets your applicable ordinances.

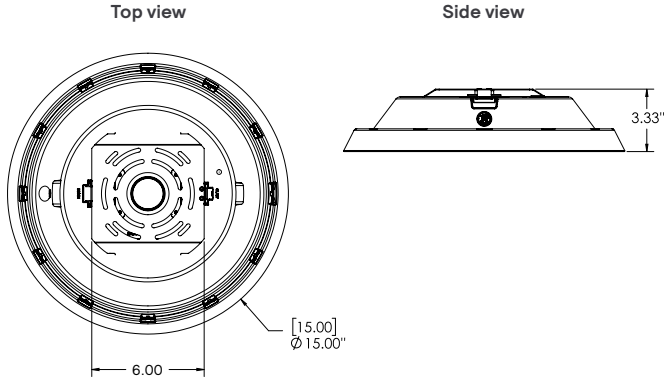
LPGC LytePro Garage and Canopy

Garage & Canopy luminaire

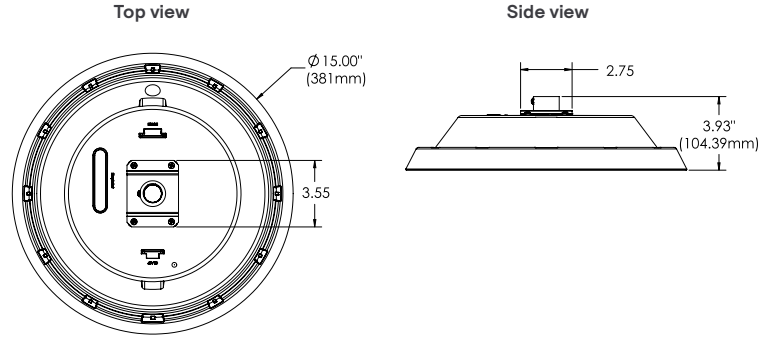
Dimension drawings

Approximate luminaire weight: 4.0 lbs (1.8 Kg)

Surface/Indirect Pendant mount

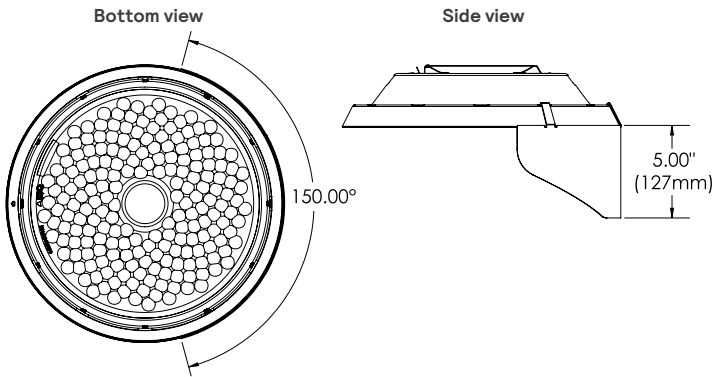


Direct Pendant mount



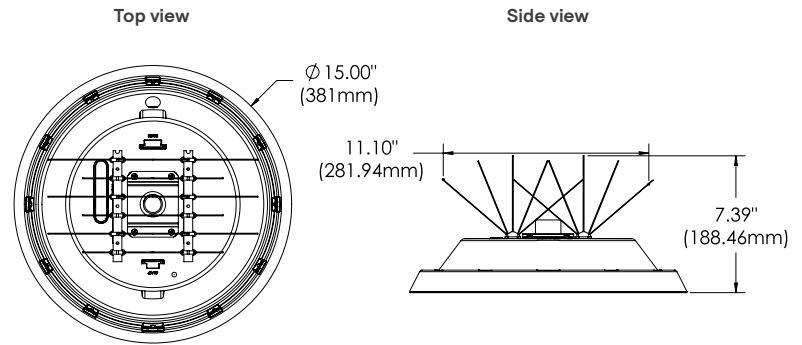
LPES LEED and Perimeter External shield

(shown with surface mount - can also be used with indirect or direct pendant mount)



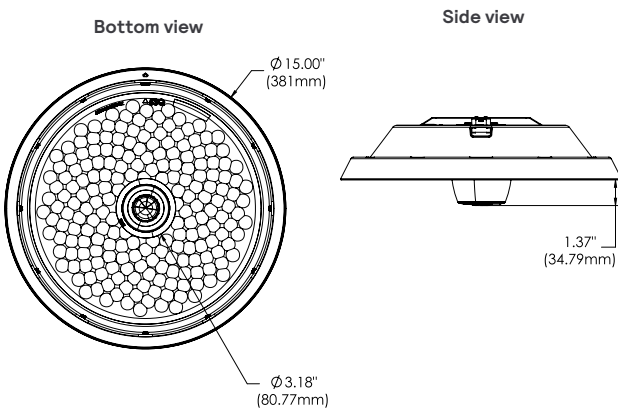
BXK Bird excluding spikes

(only use with pendant mount - indirect or direct)



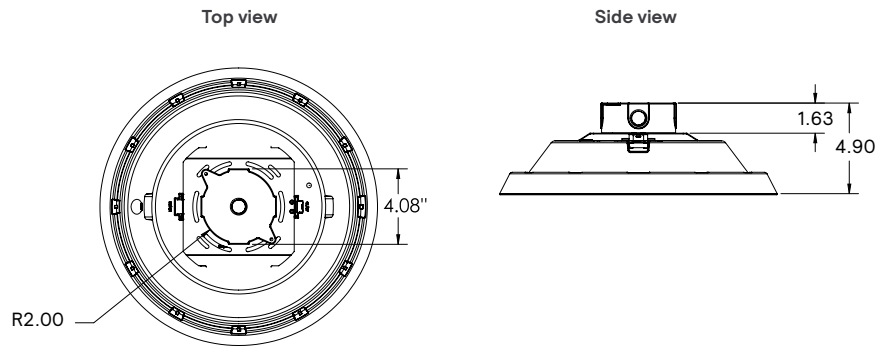
WIAP Wireless Interact controls

(shown with surface mount - can also be used with direct pendant mount)



Surface mount conduit junction box

(can also be used with indirect pendant mount; pendant by others)



Predicted Lumen Depreciation Data

Predicted performance derived from LED manufacturer's data and engineering design estimates, based on IESNA LM-80 methodology. Actual experience may vary due to field application conditions. L70 is the predicted time when LED performance depreciates to 70% of initial lumen output. Calculated per IESNA TM21-11. Published L70 hours limited to 6 times actual LED test hours

Ambient Temperature °C	L ₇₀ per TM-21	Lumen Maintenance % at 60,000 hrs
25°C	>100,000 hours	>90%

LPGC LytePro Garage and Canopy

Garage & Canopy luminaire

Specifications

Construction

Single-piece housing made of UV-resistant composite material for high resistance to corrosion, provides uplight (optional). Extended bezel reduces transition zone while eliminating high-angle glare and helps shield LEDs from direct view. Tapered shape deters dirt accumulation, eases cleaning, and deters birds from sitting or nesting.

IP Rating

IP66 rated luminaire with seal around perimeter of the lens, all electrical components housed within IP66 seal. Includes breather element that equalizes pressure between luminaire interior and exterior environment and maintains it over time to prevent water entry and premature gasket failure.

IK Rating

IK10 high impact resistance rating for both the housing and the LED lens.

LED Thermal management

The luminaire design provides excellent thermal management critical to long LED, driver and system life. Product cooled through natural convection air flow without use of moving parts (only passive cooling).

Light engine

Composed of mid power LEDs on a metal core printed circuit board (MCPCB). Color temperatures per ANSI/NEMA bin Warm White 3000K nominal (3045 +/-175K) 80CRI or Neutral White 4000K nominal (3985 +/- 275K) 80CRI. LEDs tested by ISO 17025 accredited lab in accordance with IESNA LM-80 guidelines, extrapolations in accordance with IESNA TM-21. Additional CCT & CRI are available - contact factory for details.

Optical system

Powered by the SpiroGuide light engine. LED lens made of high performance optical grade polycarbonate. Precisely spaced and located LED technology provides optimal light distribution balanced with lower glare, as well as uniform horizontal and vertical illumination with improved visual comfort. Type 5 Square Symmetrical (5SQ) and Concentrated Downlight (5CD) distributions available, designed for compliance to ANSI/IES RP-8. Consider Type 5 Square for general use in parking bays, as well as wall mount applications and perimeter mounted luminaires in conjunction with shield (LEED compliance, property cut-off, avoid light trespass); Concentrated Downlight and/or higher lumen configurations when enhanced lighting is required for entries and exits, ramps, payment areas, lobbies, and waiting areas, and for security lighting per IES G-1. No uplight standard, uplight optional to eliminate the cave effect. More uplight available - must contact factory prior to ordering. Performance tested per LM-63, LM-79 and TM-15 (IESNA) certifying its photometric performance.

Electrical

Constant current electronic driver. High power factor (0.9 minimum). 50/60 Hz. Low THD (20% maximum). Open/short circuit protection and voltage overload protection, automatic recovery after correction. Driver comes standard with 6KV on-board surge protection. Dimming driver standard. 0-10V dimming to minimum 10% power. RoHS compliant. Driver enables setting LED drive current to meet your specific total wattage consumption, lumen output and/or efficacy needs, contact factory. When required, driver also enables field programming using an app communicating through the composite housing - please contact factory for assistance.

Surge protector standard and tested in accordance with ANSI/IEEE C62.45 per ANSI/IEEE C62.41.2 Scenario I Category C High Exposure 10KV/10KA waveforms for Line-Ground, Line-Neutral and Neutral-Ground. Optional enhanced surge protector 20KV/10KA may be available - must be contact factory prior to ordering. Surge protector wired in parallel so that if it fails open the luminaire will remain lit/powerd on. When Emergency EM is chosen, two surge protectors provided for complete protection - one for unswitched hot line, one for switched hot line.

Due to the inrush current that occurs with electronic drivers, recommend using a time delay or slow blow fuse to avoid unnecessary and unwanted fuse blowing that can occur with fast acting fuses.

Mounting

SUR: Surface mount. Provided with a die formed 20 ga. galvanized steel EZ-hang plate for mounting to a recessed or surface-mounted 4" (10.16 cm) junction box (by others) - flush ceiling mount to a recessed junction box, or direct mount to a surface-mounted junction box. Integral hanger tabs on the plate support the luminaire during wiring. Snap-in design (no hardware or tools required) secures luminaire for quick and easy installation. Includes minimum 12" (30.48cm) wires that pass through IP66 rated grommet which seals around the wires. For indirect pendant mounting, order Surface Mount (SUR) and mount to a wet location junction box (by others) which you then direct mount onto rigid pendant (by others).

PEN: Direct pendant mount. Integral metal fitting with integral 3/4" NPT tapped hole for direct mounting onto rigid 3/4" pendant (by others). Includes minimum 38" (96.52 cm) wires that pass through IP66 rated grommet which seals around the wires.

Color

Composite housing is color-impregnated, either **MG** Medium Gray or **WH** Luminous White.

Hardware and Seals

All exposed screws shall be stainless steel and/or corrosion resistant and captive. All seals and sealing devices are made and/or lined with silicone and/or rubber.

LED Products Manufacturing Standard

The electronic components sensitive to electrostatic discharge (ESD) such as LEDs are assembled in compliance with EC61340-5-1 and ANSI/ESD S20.20 standards so as to eliminate ESD events that could decrease the useful life of the product.

LED Luminaire Useful Life

Refer to IES files for energy consumption and delivered lumens for each option. Based on ISTMT in situ thermal testing in accordance with UL1598 and UL8750, exclusive Signify System Reliability Tool, Advance driver data and LED manufacturer LM-80/TM-21 data, expected to reach 100,000 + hours with B90L80 lumen maintenance @ 50°C elevated ambient and 88,000+ hours with B90L90 lumen maintenance @ 25°C. Luminaire Useful Life accounts for LED lumen maintenance AND all of these additional factors including: LED color shift, LED life, driver life, PCB substrate, solder joints, on/off cycles, burning hours and corrosion.

Vibration resistance

Luminaire meets the ANSI C136.31-2018 & 2023 specifications for Level 2 (3G) Bridge and Overpass applications for Surface/Indirect Pendant and Direct Pendant mounts, tested by independent lab over 100,000 cycles in all three axes.

Certifications and Compliance

cULus Listed for Canada and U.S. to the UL 1598 and UL8750 standards, suitable for Wet Locations. Suitable for use in ambients from -40°C (-40°F) to +40°C (+104°F). The quality systems of the facility where manufactured have been registered by UL to the ISO 9001 series standards. Emergency Battery Backup option (**EM**) tested and listed emergency lighting device per UL 924 and CSA 22.2 No. 141, Emergency bypass relays UL 924 Listed. Select LPGC configurations are qualified under Design Lights Consortium Premium classification. Consult DLC Qualified Products list to confirm your specific luminaire selection is approved. Controls options enable compliance with Outdoor lighting energy codes including ASHRAE 90.1, California Title 24, and IECC.

Limited Warranty

5-year limited warranty.

See [signify.com/warranties](https://www.signify.com/warranties) for complete details and exclusions.

LPGC LytePro Garage and Canopy

Garage & Canopy luminaire

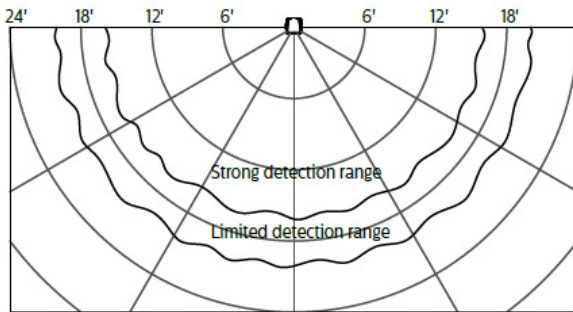
Specifications

Control Options

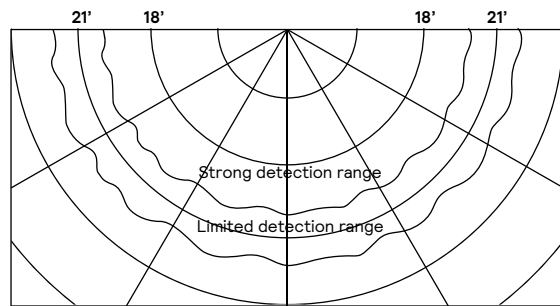
Note: 0-10V dimming driver standard.

Note: other controls can be integrated, contact factory.

BL20MW: Motion response luminaires include a high frequency microwave sensor, 5.8GHz+/- 75MHz microwave ISM continuous wave band with 360° coverage area, <0.5 mW transmitting power and <1 W standby power. Microwave motion sensor designed to detect motion through the lower lens so it is hidden inside the luminaire without any protruding components. Sensor allows energy savings and meeting code requirements without compromising comfort and aesthetics. Factory pre-programmed standard settings include a dimming level down to 20% and time delay of 3 minutes with no stand-by period. This means when no motion is detected for 3 minutes the sensor will dim the luminaire down to 20% of total lumen output. When motion is detected the luminaire returns to 100% full light output and will remain on full power for 3 minutes default prior to dimming back to low when no motion is detected. Other dimming levels, holding times and stand-by periods are possible, contact factory. Microwave sensor's photocell is disabled since the sensor is embedded inside the luminaire (therefore daylight harvesting is not possible).



BLFPMW: Motion response luminaires include a high frequency microwave sensor, 5.8GHz+/- 75MHz microwave ISM continuous wave band with 360° coverage area, <0.5 mW transmitting power and <1 W standby power. Microwave motion sensor designed to detect motion through the lower lens so it is hidden inside the luminaire without any protruding components. Sensor allows energy savings and meeting code requirements without compromising comfort and aesthetics. Factory pre-programmed standard settings include a dimming level down to 20% and time delay of 3 minutes with no stand-by period. This means when no motion is detected for 3 minutes the sensor will dim the luminaire down to 20% of total lumen output. When motion is detected the luminaire returns to 100% full light output and will remain on full power for 3 minutes default prior to dimming back to low when no motion is detected. Other holding times and stand-by periods can be programmed in the field using HRP remote (see Accessories). Microwave sensor's photocell is disabled since the sensor is embedded inside the luminaire (therefore daylight harvesting is not possible). For daylight function, order WIAP with LW sensor.



Note: BL20MW and BLFPMW are both wired at the factory assuming luminaires are not on circuit(s) with switch(es); if switch(es) used, must contact factory prior to ordering.

WIAP with LW sensor: Scalable connected sensor with integral occupancy and daylight sensing, supports wireless mesh connectivity. Sensor works in the Foundation mode when configured without a gateway or in an Interact Advanced mode if a compatible gateway (can be added later) is used. Interact offers an app, a portal and a broad portfolio of Interact-ready Indoor and Outdoor luminaires, lamps and retrofit kits all working on the same system. Startup is implemented via Interact Pro App (available in iOS® or Android®) and Bluetooth® connectivity. The App provides flexibility to choose between a gateway or non gateway mode for setup. Setup with the gateway requires wired Internet access to the gateway. Prepare project configuration steps remotely and use IRT9015 remote accessory (ordered separately) or the App on-site to identify and group devices together. WIAP includes SR driver and SR receptacle. Daylight harvesting supported through dimming - activated via the Interact App. Sensors IP66 rated.

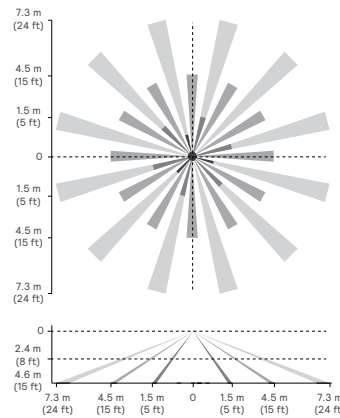
Compatible with the following (ordered separately):

- Battery powered IP65 presence sensor OCC sensor IA CM IP65 WH
- Battery powered IP65 presence & daylight sensor OCC-DL sensor IA CM IP65 WH

For more information on Interact visit:

www.interact-lighting.com/interactproscalablesystem

LW low sensor



Note: The beam patterns shown are intended solely as a general guide and are not to scale. Sensing capabilities and coverage area depend on many factors including the size, speed and direction of travel of persons and vehicles; sensor mounting height; environmental and site conditions; etc.

LPGC LytePro Garage and Canopy

Garage & Canopy luminaire

Specifications

Emergency Options

BR (use with BLFPMW and BL20MW only): Optional UL924 Listed Emergency internal bypass relay. When normal AC power is lost, relay bypasses the Microwave Occupancy dimming sensor and forces luminaire to full light output via required direct, unswitched AC connection (see device manufacturer's wiring diagram). Not available for use with 347V, 480V, or HVU. Suitable for use in ambient temperature conditions from -25°C (-13°F) to +40°C (+104°F).

ER100 (use with WIAPLW only): Optional UL924 Listed Emergency internal bypass relay. When normal AC power is lost, relay bypasses WIAP wireless dimming sensor and forces luminaire to full light output. Not available for use with 347V, 480V, or HVU. Suitable for use in ambient temperature conditions from -30°C (-22°F) to +40°C (+104°F).

Power Sensing (Factory default) – Recommended UL924 option requires unswitched power sense line, absence of voltage on the normal circuit triggers luminaire to 100% output.

Power Interruption Detection (Field option) – Detects AC power interruption >30ms triggers 90 minute emergency mode with luminaire at 100% output, consult your local authority for UL924 applicability.

For more information on ER100 visit:

<https://www.assets.signify.com/is/content/Signify/Assets/philips-lighting/united-states/20210507-er-100-specification.pdf>

EM Emergency Battery Pack: Optional internal emergency battery pack immediately detects normal AC power loss then provides emergency light output for a minimum of 90 minutes when power is lost compliant with UL 924/ CSA22.2 No. 141 and NFPA 101 Life Safety Code path of egress requirements. Integral so there is a consistent look between emergency and non-emergency luminaires, separate accessory box is not required. Not available for use with 347V, 480V, or HVU. Suitable for use in ambient temperature conditions from 0°C (+32°F) to +40°C (+104°F). Always includes surge protection for both the switched and unswitched lines to ensure complete protection.

Note that with this EM option, half of the downlight LED board will light up under emergency conditions to meet the minimum footcandle (fc) recommendation for Emergency Lighting from ANSI/IES RP-8 17.5.1.3, which specifies that luminaires should be arranged to provide initial illumination that is at least an average of 1fc at 40:1 max/min. Recommended mounting height to meet ANSI/IES RP-8 is 10ft. Note that the EM emergency battery pack will not energize the uplight LED boards under emergency conditions.

Integrated Feature

Please note that this integrated feature always come with this luminaire standard at no additional cost.

Service Tag: Each individual luminaire is uniquely identifiable, thanks to the Service tag application. With a simple scan of a QR code you gain instant access to the luminaire configuration, making installation and maintenance operations faster and easier, no matter what stage of the luminaire's lifetime. Just download the app and register your product right away.

For more details visit: www.signify.com/global/service-tag