

1

2

3

4

a

a

b

b

c

c

d

d

e

e

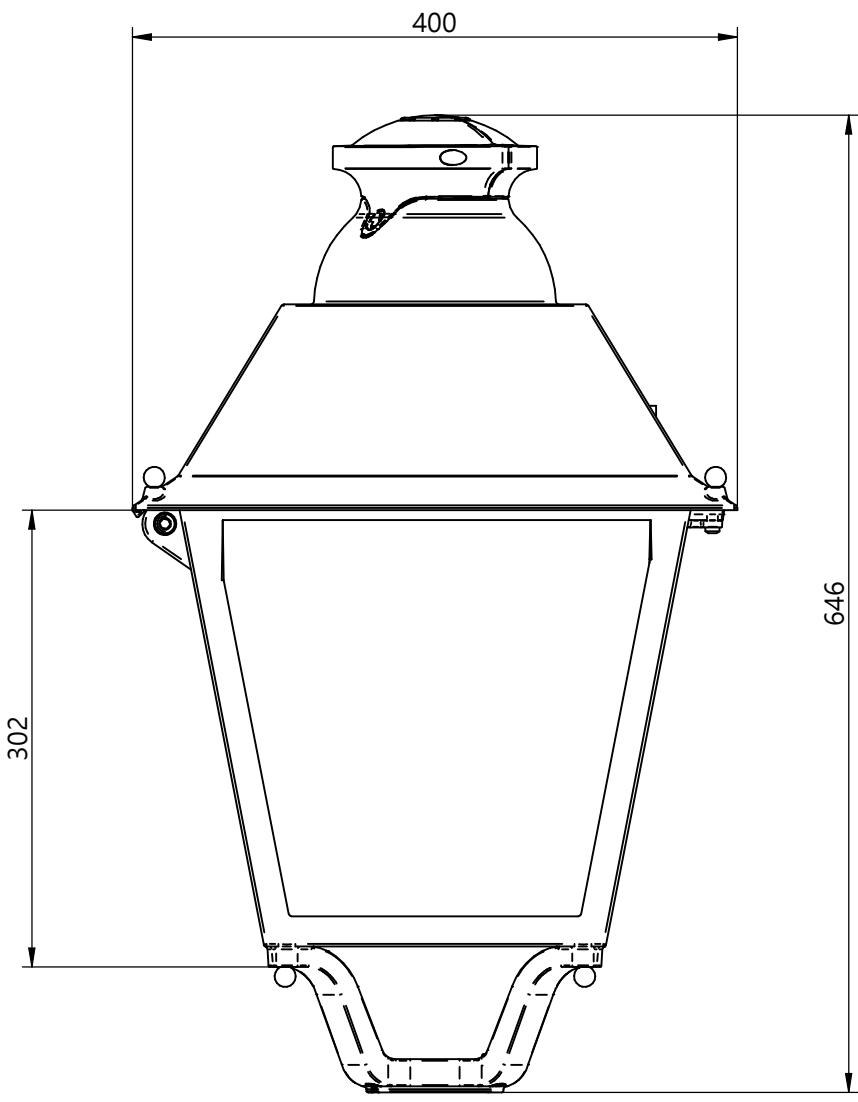
f

f

© Signify



© All rights are reserved.
Reproduction in whole or part is
prohibited without the written
consent of the copyright owner.



CLASS No.

Working

2025-01-16

NAME 310075031

LOCAL / LEGACY ID

SH. 1

DESIGN ID

01

2025-01-16

DOC 12NC

SH. 110-1

A4

CHECK

DATE

2025-01-16

Confidential, PROPERTY OF: © 2025 Signify Holding

1

2

3

4

