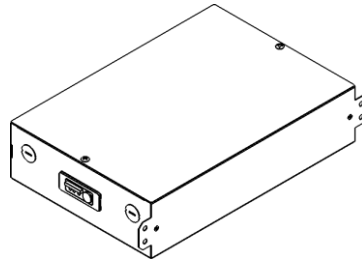


# Ledalite

by Signify

## NatureConnect link



108 V  
305 V


50Hz  
60Hz

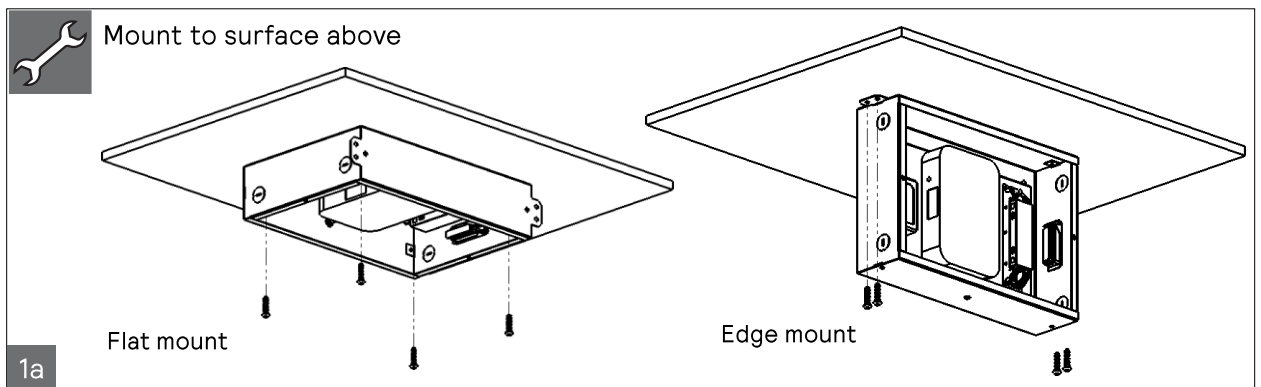
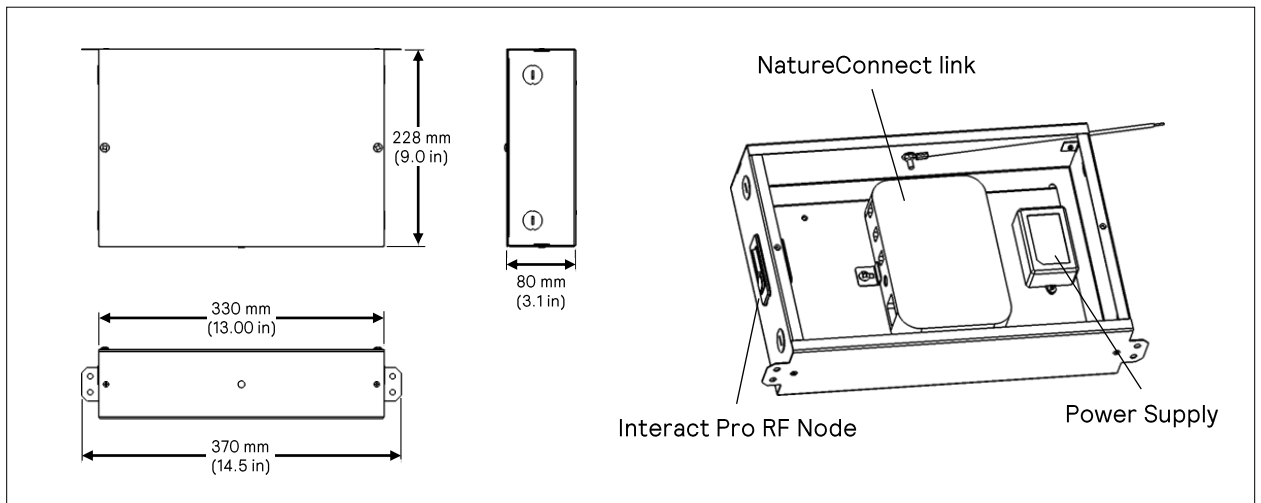


max 35°C  
min 0°C



interact  
ready.

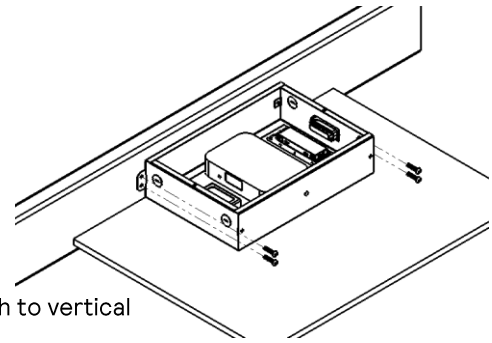
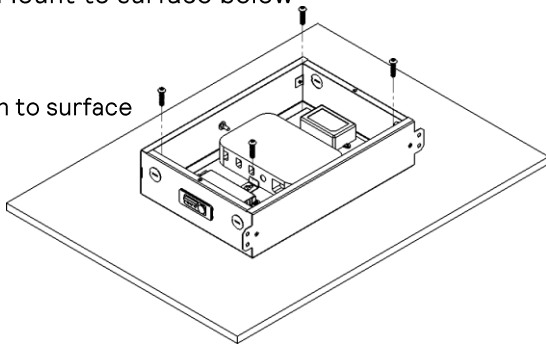
	Power	Dimensions LxWxH	
NatureConnect link	15W	14.5 x 9.0 x 3.1 in (370 x 228 x 80 mm)	3.0 kg (6.6 lb.)





Mount to surface below

Attach to surface



Attach to vertical

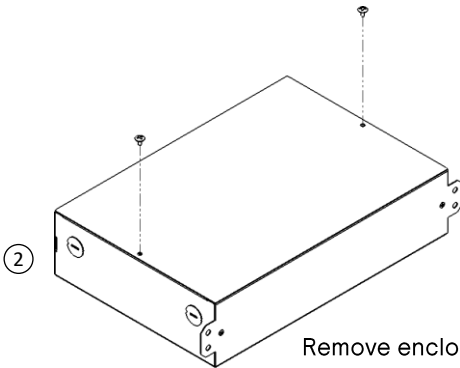
1b

## Power Wiring

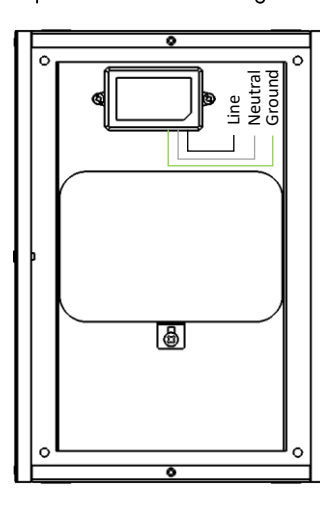
Ensure power is off



③ Connect to power & enclosure ground

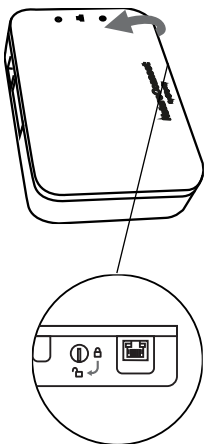


Remove enclosure cover



2

## Open the cover



Removable terminal blocks

Slide DIP switches

Rotary DIP switches

Power LED

Network LED

Internet/NTP LED

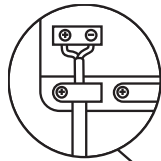
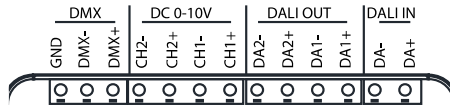
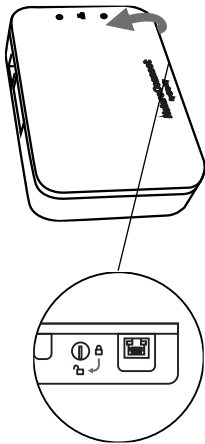
Service button

Ethernet RJ45 port

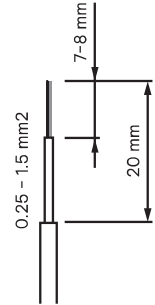
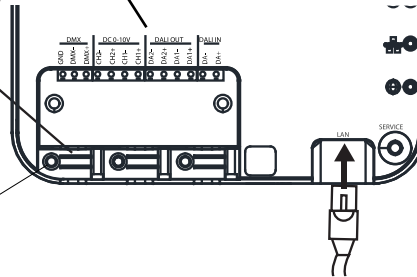
3

# Luminaire & Control Wiring

Interface	Description	Max output
DMX	NC DMX luminaires	30mA 5 Vdc
DC 0-10V	not used	150 uA 10 V
DALI_OUT DA2	TW luminaires	250 mA 20.5 V
DALI_OUT DA1	NC DALI luminaires	250 mA 20.5 V
DALI_IN	Internal or Remote Interact Sensor	60 mA 20.5 V



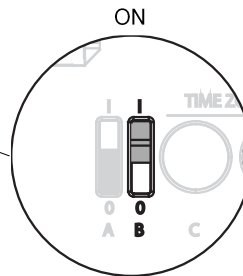
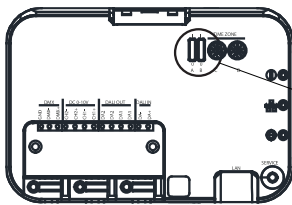
Hand tight



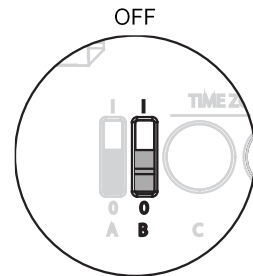
cable Ø 5 - 8 mm  
 cable Ø 2 - 5 mm - reverse clip

4

## Set DIP switch for power supply of DALI\_IN



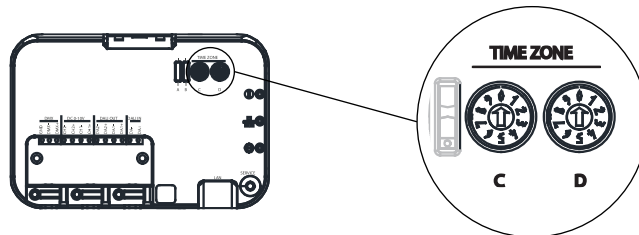
for Interact / D4i compatible sensors



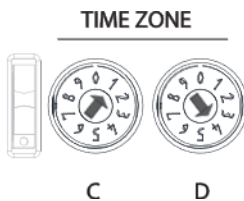
for DALI control systems

5

## Set the rotary switches for the time zone according to the Time zone table



Example: setting the time zone for Eastern US



1	4	(UTC-05:00) Eastern Time (US & Canada)
---	---	--

6

**C D Time zone**

0	0	(UTC-08:00) Baja California
0	1	(UTC-08:00) Co-ordinated Universal Time-08
0	2	(UTC-08:00) Pacific Time (US & Canada)
0	3	(UTC-07:00) Arizona
0	4	(UTC-07:00) Chihuahua, La Paz, Mazatlan
0	5	(UTC-07:00) Mountain Time (US & Canada)
0	6	(UTC-07:00) Yukon
0	7	(UTC-06:00) Central America
0	8	(UTC-06:00) Central Time (US & Canada)
0	9	(UTC-06:00) Easter Island
1	0	(UTC-06:00) Guadalajara, Mexico City, Monterrey
1	1	(UTC-06:00) Saskatchewan
1	2	(UTC-05:00) Bogota, Lima, Quito, Rio Branco
1	3	(UTC-05:00) Chetumal
1	4	(UTC-05:00) Eastern Time (US & Canada)
1	5	(UTC-05:00) Haiti
1	6	(UTC-05:00) Havana
1	7	(UTC-05:00) Indiana (East)
1	8	(UTC-05:00) Turks and Caicos
1	9	(UTC-04:00) Asuncion
2	0	(UTC-04:00) Atlantic Time (Canada)
2	1	(UTC-04:00) Cuiaba
2	2	(UTC-04:00) Georgetown, La Paz, Manaus, San Juan
2	3	(UTC-04:00) Santiago
2	4	(UTC-03:00) Araguaina
2	5	(UTC-03:00) Brasilia
2	6	(UTC-03:00) Cayenne, Fortaleza
2	7	(UTC-03:00) City of Buenos Aires
2	8	(UTC-03:00) Greenland
2	9	(UTC-03:00) Montevideo
3	0	(UTC-03:00) Punta Arenas
3	1	(UTC-03:00) Saint Pierre and Miquelon
3	2	(UTC-03:00) Salvador
3	3	(UTC) Co-ordinated Universal Time
3	4	(UTC+00:00) Dublin, Edinburgh, Lisbon, London
3	5	(UTC+00:00) Monrovia, Reykjavik
3	6	(UTC+00:00) Sao Tome
3	7	(UTC+01:00) Casablanca
3	8	(UTC+01:00) Amsterdam, Berlin, Bern, Rome, Stockholm, Vienna
3	9	(UTC+01:00) Belgrade, Bratislava, Budapest, Ljubljana, Prague
4	0	(UTC+01:00) Brussels, Copenhagen, Madrid, Paris
4	1	(UTC+01:00) Sarajevo, Skopje, Warsaw, Zagreb
4	2	(UTC+01:00) West Central Africa
4	3	(UTC+02:00) Athens, Bucharest
4	4	(UTC+02:00) Beirut
4	5	(UTC+02:00) Cairo
4	6	(UTC+02:00) Chisinau
4	7	(UTC+02:00) Damascus
4	8	(UTC+02:00) Gaza, Hebron
4	9	(UTC+02:00) Harare, Pretoria

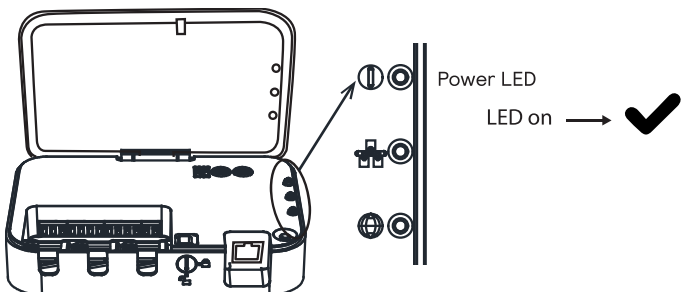
**C D Time zone**

5	0	(UTC+02:00) Helsinki, Kyiv, Riga, Sofia, Tallinn, Vilnius
5	1	(UTC+02:00) Jerusalem
5	2	(UTC+02:00) Juba
5	3	(UTC+02:00) Kaliningrad
5	4	(UTC+02:00) Khartoum
5	5	(UTC+02:00) Tripoli
5	6	(UTC+02:00) Windhoek
5	7	(UTC+03:00) Amman
5	8	(UTC+03:00) Baghdad
5	9	(UTC+03:00) Istanbul
6	0	(UTC+03:00) Kuwait, Riyadh
6	1	(UTC+03:00) Minsk
6	2	(UTC+03:00) Moscow, St Petersburg
6	3	(UTC+03:00) Nairobi
6	4	(UTC+03:00) Volgograd
6	5	(UTC+03:30) Tehran
6	6	(UTC+04:00) Abu Dhabi, Muscat
6	7	(UTC+04:00) Astrakhan, Ulyanovsk
6	8	(UTC+04:00) Baku
6	9	(UTC+04:00) Izhevsk, Samara
7	0	(UTC+04:00) Port Louis
7	1	(UTC+04:00) Saratov
7	2	(UTC+04:00) Tbilisi
7	3	(UTC+04:00) Yerevan
7	4	(UTC+05:00) Ashgabat, Tashkent
7	5	(UTC+05:00) Ekaterinburg
7	6	(UTC+05:00) Qyzylorda
7	7	(UTC+05:30) Chennai, Kolkata, Mumbai, New Delhi
7	8	(UTC+05:30) Sri Jayawardenepura
7	9	(UTC+06:00) Dhaka
8	0	(UTC+06:00) Nur-Sultan
8	1	(UTC+06:30) Yangon (Rangoon)
8	2	(UTC+07:00) Bangkok, Hanoi, Jakarta
8	3	(UTC+07:00) Barnaul, Gorno-Altaysk
8	4	(UTC+07:00) Hovd
8	5	(UTC+08:00) Beijing, Chongqing, Hong Kong SAR, Urumqi
8	6	(UTC+08:00) Kuala Lumpur, Singapore
8	7	(UTC+08:00) Perth
8	8	(UTC+08:00) Taipei
8	9	(UTC+08:00) Ulaanbaatar
9	0	(UTC+08:45) Eucla
9	1	(UTC+09:00) Chita
9	2	(UTC+09:00) Osaka, Sapporo, Tokyo
9	3	(UTC+09:00) Pyongyang
9	4	(UTC+09:00) Seoul
9	5	(UTC+09:30) Darwin
9	6	(UTC+10:00) Brisbane
9	7	(UTC+10:00) Canberra, Melbourne, Sydney
9	8	(UTC+10:00) Guam, Port Moresby
9	9	(UTC+10:00) Hobart

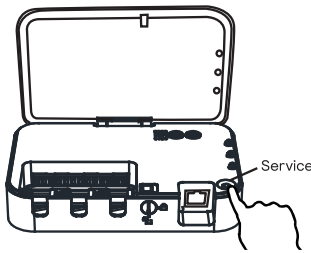
**Power on**

Activate power for enclosure

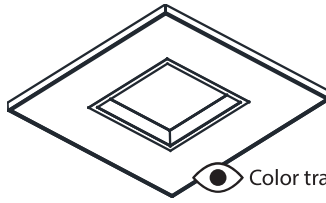
OFF  ON



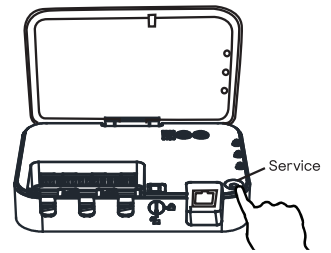
Test the connection with the luminaires by pressing the service button



① Press the "service" button to start the test



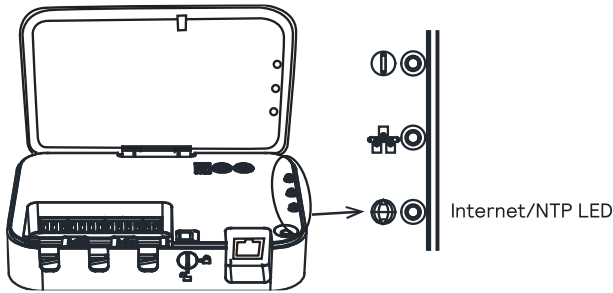
② Check luminaires



③ Press the "service" button to finish the test

8

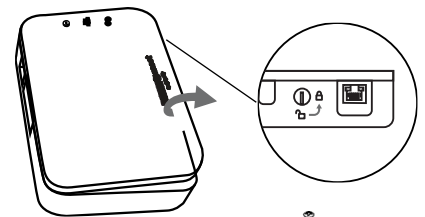
Time configuration



- LED on → Time acquired from NTP server
- LED off → Download NatureConnect link configuration app to configure the time
- LED blinking → [www.signify.com/natureconnect](http://www.signify.com/natureconnect)

9

Close the cover and enclosure



10

### Additional notes

- For more information on Interact Pro visit: [www.interact-lighting.com/interactproscalablesystem](http://www.interact-lighting.com/interactproscalablesystem)
- For reset to factory default settings: long press (10 seconds) on Service button
- Recommended to use a firewall.
- Recommended to change the password at first use.

Service Tag:  
12.910505103474



### LED Legend

LED 1 (Red) Power status:

- OFF when no power to the device
- ON when power is on

LED 2 (Blue) Network status (only after booting finished):

- OFF when no network link
- BLINKING when network link but no IP
- ON when network link available and IP address assigned

LED 3 (Yellow) Internet/NTP status (only after booting finished):

- OFF when no internet
- BLINKING when internet available but NTP not available
- ON when internet and NTP available