



by Signify

NatureConnect

NatureConnect mini island 4X4

ID-NCFG1xx NC mini island 4x4 Install sheet

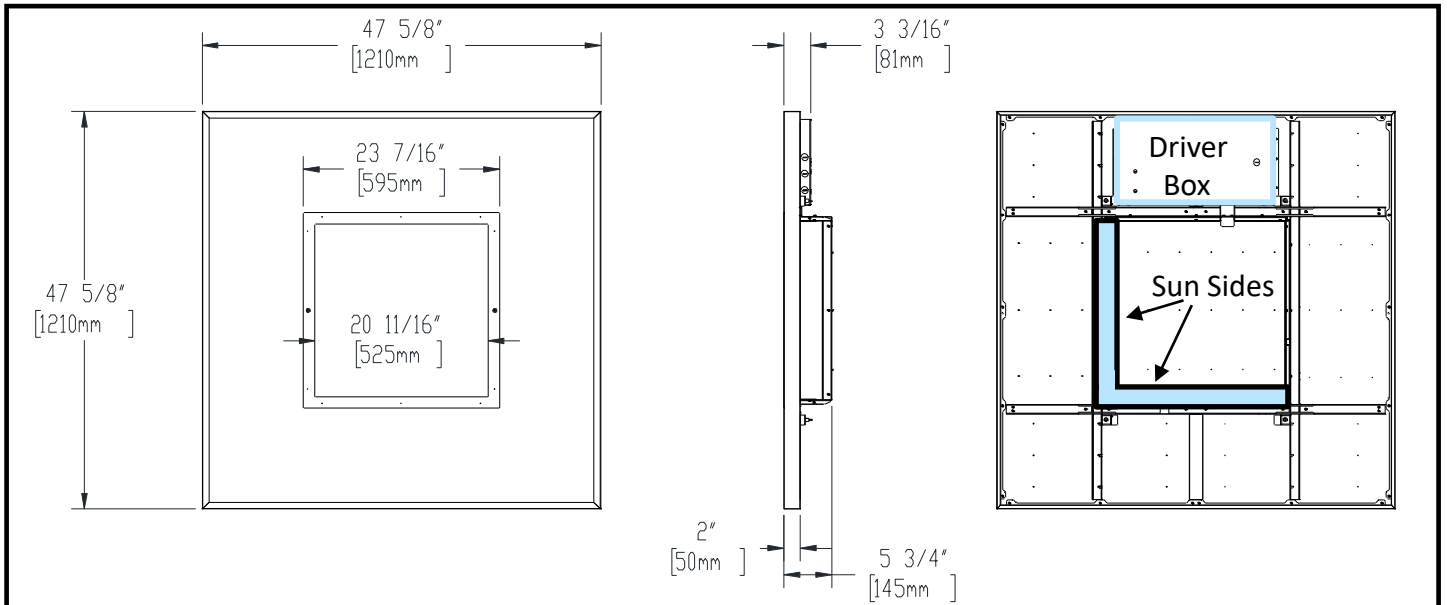
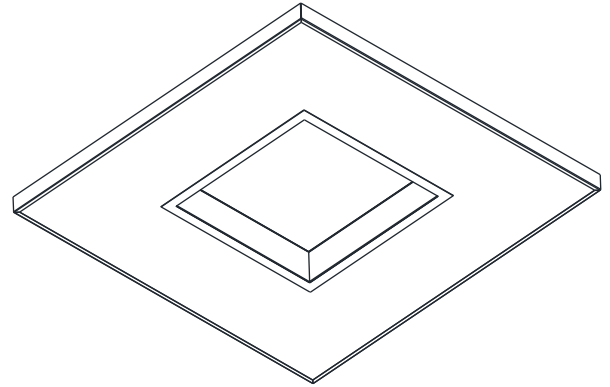
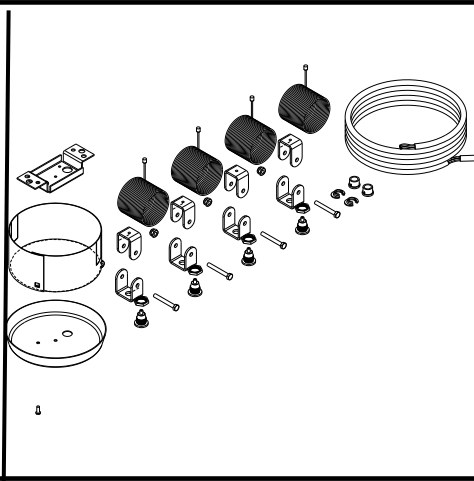
### System Overview

These instructions review how to install the NatureConnect mini island Luminaire. The graphics below shows the components required to install the Nature Connect suspended fixture. **IMPORTANT: Read all instructions before beginning installation.**



#### i Mounting Kit

- Canopy
- #6 Screw
- A1 Mounting Bracket
- Canopy Extension Ring
- A3 Mounting Bracket Assy (X4)
- #6 Bolt (X4)
- Wire Gripper (X4)
- ¼-18 Nut (X4)
- 12' A/C Cable (X4)
- Cable strain relief (X2)
- ½" Bushing (X2)
- 16' Power Cord



#### Tools Required:

- #2 Philips Screwdriver
- Heyco PN0019(R12) crimping tool
- Medium Flat Head Screwdriver
- 17mm Wrench (11/16")

**! ATTENTION: Install in accordance with local and national building and electric codes.**

This equipment has been tested and found to comply with the limits for a Class A digital device, pursuant to part 15 of the FCC Rules. These limits are designed to provide reasonable protection against harmful interference when the equipment is operated in a commercial environment. This equipment generates, uses, and can radiate radio frequency energy and, if not installed and used in accordance with the instruction manual, may cause harmful interference to radio communications. Operation of this equipment in a residential area is likely to cause harmful interference in which case the user will be required to correct the interference at his own expense.



### IMPORTANT:

Disconnect or turn off power before attempting any installation, service or maintenance.



Fixture must be connected to building ground via the provided ground wire terminal before re-connecting to mains power supply.

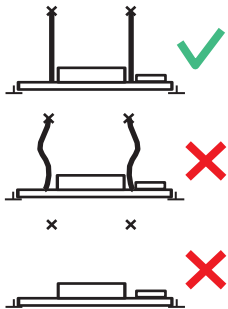


### Mounting and Power Location

Ensure the mounting brackets are secured to the structure and pre-positioned accurately while keeping power location in mind. See steps 3 and 4.



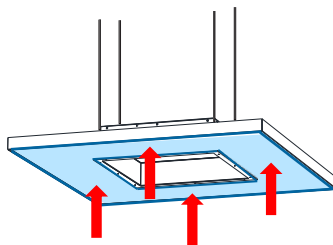
### Mounting



No mechanical load on T-Bar. Load on supplied A/C cables only.



### Handle with care



**Do not** put any pressure on the lens during installation.



### Inspection

Inspect for damage before installing the luminaire.



### Installation Notes

Arrange box fixture on floor in specified mounting locations. Remove fixture from box. Install all ceiling mounting components and vertical aircraft cables using separate installation instruction for Aircraft Cable Mounting (supplied).



**ATTENTION:** Install in accordance with local and national building and electric codes.

1. Suspended recessed

2. Suspended surface mounted

3. Suspended open ceiling

Always use gloves when installing luminaire.

### 1 Cable Gripper Installation

**Nut**  
**Gripper**

Before removing the luminaire from the bottom half of Box, insert gripper (X4). Slide gripper (supplied) underneath bracket and lift-up the gripper while installing nut with 17mm Wrench. (11/16").

**Note:** A/C cables must run perpendicular to fixture and not be angled more than 15 degrees from vertical.

### 2 Mounting Orientation

**Driver Box**  
**Sun Sides**

Determine orientation of the skylight in the ceiling according to the lighting plan

### 3 Mounting Layout

**Driver Box**  
**Sun Sides**

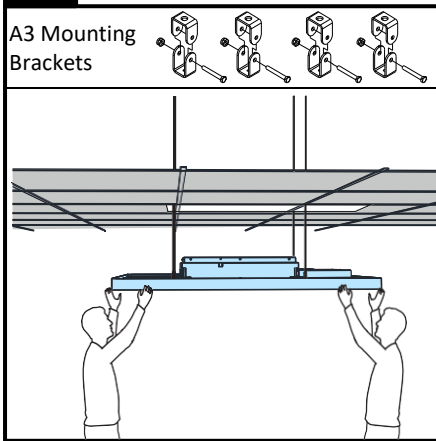
21 3/8" [544mm]  
13 1/8" [333mm]  
26 1/4" [666mm]  
10 11/16" [272mm]

Layout mounting points to building structure. Distance between mounting points is 26 1/4" (666mm) X 21 3/8" (544mm)

**Note:** A/C cables must run perpendicular to fixture and not be angled more than 15 degrees from vertical.

**!** **ATTENTION: Install in accordance with local and national building and electric codes.**

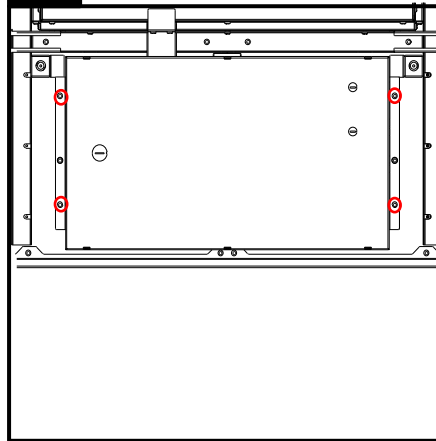
## 4 Mounting Installation



Attach A3 mounting brackets to structure. (Hardware supplied by others) Finish assembling the A3 mounts using supplied hardware. Insert A/C suspension cables and raise fixture to Position. Ensure fixture is level.

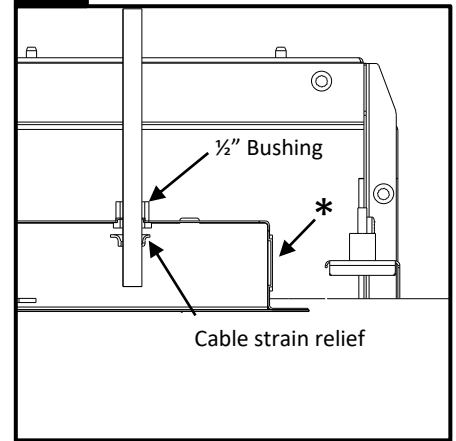
**Note: Requires two or more people for mounting. Leave protective film on until after installation**

## 5 Power Cord Installation



Detach Driver box by removing 4 screws using #2 Philips screwdriver. Determine power drop location and remove knockout(s) using a flat head screwdriver.

## 5.1 Power Cord Installation



Install 1/2" bushing from below. Feed the power cord from above into fixture driver box. Attach cable strain relief using HeycoPN0019(R12) crimping tool. Make connections using wire nuts(supplied by others) and re-attach driver box cover. Remove protective film on lens

**Note: Alternate connection with flexible conduit at \*.** (Supplied by others).

## 6 Link – Install Guide



Download the Link install Guide

## 6.1 Link - App



Download the Interact App

## 6.2 Link – Commissioning Guide



Download the Link Commissioning guide

**!** **ATTENTION: Install in accordance with local and national building and electric codes.**

