

GreenUp Surface Mount

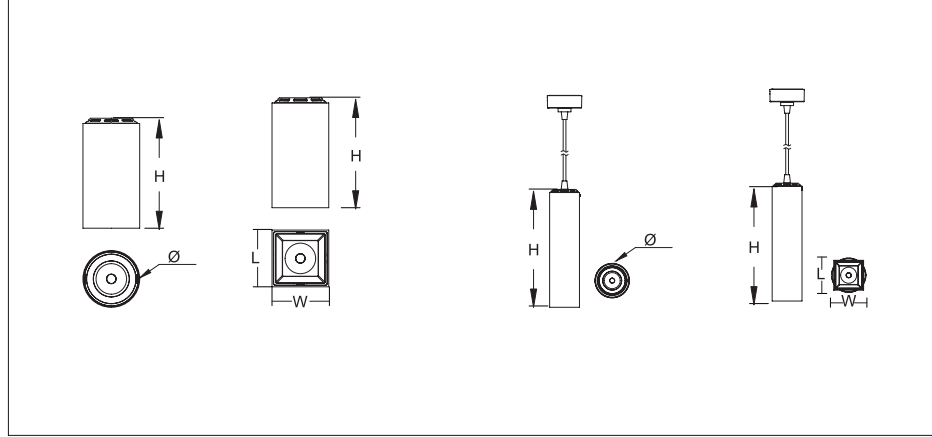
SM303C/SP303P/SM304C LED Downlight/筒射灯

Mounting instructions/安装说明书

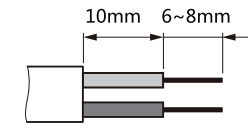
IEC 60598
IP20
IEC Class II
CRI Ta 25°C
220V-240V~
50/60Hz

Modular Type 型号	CRI 显色指数	CCT 色温	Beam Angle 光束角	Input 输入 220-240V,50/60Hz;	Lum Dim. 灯具尺寸 Ø*H/L*W*H(mm)	Weight(kg) 重量	
SM303C P8 PSU	≥80 / ≥90	2700K 3000K 3500K 4000K 5000K	NB MB WB VWB	0.04A,8W	Ø65*H126	0.353	
SM303C P8S PSU	≥80 / ≥90			0.04A,8W	L65*W65*H126	0.401	
SP303P P8 PSU	≥80 / ≥90			0.04A,8W	Ø65*H256(吊线长度1500)	0.815	
SP303P P8S PSU	≥80 / ≥90			0.04A,8W	L65*W65*H256(吊线长度1500)	0.905	
SM303C P20 PSU	≥80 / ≥90			0.11A,20W	Ø135*H193	1.4	
SM303C P24 PSU	≥80 / ≥90			0.13A,24W	Ø160*H220	2.05	
SM303C P28 PSU	≥80 / ≥90			0.15A,28W	Ø160*H220	2.05	
SM304C P10 PSU	≥80 / ≥90			MB WB	0.05A,10W	Ø95*H100	0.485
SM304C P12 PSU	≥80 / ≥90				0.06A,12W	Ø95*H100	0.485
SM304C P14 PSU	≥80 / ≥90				0.07A,14W	Ø95*H100	0.485

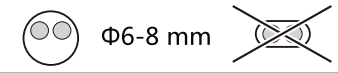
Dimension 组件尺寸



Suggested wire gauge 建议电源线规格



60227 IEC52 2x0.75 mm²
L: Brown/棕. N: Blue/蓝.



SM303C

SM303C P8 : 36mm
 SM303C P20 : 90mm
 SM303C P24/P28 : 120mm

- 用六角扳手松开M4螺丝,把产品安装支架取出
Loosen the M4 screw with a hex wrench and take out the product mounting bracket.
- 安装支架定位在天花板上
Fix the mounting bracket on the ceiling with pre-defined position, and drill two holes.
- 将线引出,用螺丝刀锁紧自攻螺丝,把支架固定在天花板上
Pull the supply cable out and fix the mounting bracket by tightening the self-tapping screw.
- 将电源线接到电源线上,把灯具固定到底盖上
Connecting the power supplier and fix the luminaire onto the mounting bracket.
- 用六角扳手将M4螺丝拧紧,安装完成
Tighten the M4 screw with a hex wrench. Installation complete.

SM304C

75mm

- 将安装支架取出
Take out the product mounting bracket.
- 安装支架定位在天花板上
Fix the mounting bracket on the ceiling with pre-defined position, and drill three holes.
- 将线引出,用螺丝刀锁紧自攻螺丝,把支架固定在天花板上
Pull the supply cable out and fix the mounting bracket by tightening the self-tapping screw.
- 将电源线接到电源线上,把灯具固定到底盖上
Connecting the power supplier and fix the luminaire onto the mounting bracket.
- 将灯具卡扣拧紧,安装完成
Twist the luminaire body clockwise. Installation complete.

SP303P

48mm

- 用六角扳手松开M4螺丝,把产品安装支架取出
Loosen the M4 screw with a hex wrench and take out the product mounting bracket.
- 安装支架定位在天花板上
Fix the mounting bracket on the ceiling with pre-defined position, and drill two holes.
- 将线引出,用螺丝刀锁紧自攻螺丝,把支架固定在天花板上
Pull the supply cable out and fix the mounting bracket by tightening the self-tapping screw.
- 将电源线接到电源线上,把灯具固定到底盖上
Connecting the power supplier and fix the luminaire onto the mounting bracket.
- 用六角扳手将M4螺丝拧紧,安装完成
Tighten the M4 screw with a hex wrench. Installation complete.



Philips and the Philips shield emblem are registered trademarks of Koninklijke Philips N.V.

