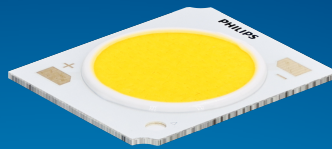


PHILIPS

Fortimo

LED

Fortimo SLM C PA 1208
L15 2024 G8 HE



Datasheet

Refined light recipe for effortless experiences and high-end applications

Fortimo LED SLM G8(N) PA

Introducing the new Premium Ambiance light recipe, which expands our Fortimo SLM G8(N) HE offering by bringing a refined lighting option tailored for premium spaces. Carefully engineered to create a warm, inviting atmosphere while maintaining high focus on the merchandise, it is ideal for applications such as retail, hospitality, residential, and cruise environments where ambiance and comfort are key.

With high-quality light output combined with warmer CCT options, Premium Ambiance supports relaxed, effortless experiences while subtly enhancing the emotional appeal of the space allowing an end user to truly enjoy the illuminated space and merchandise. This light recipe has been specifically designed for settings with luxurious interior elements - such as dark-toned ceilings, wooden shelving, and richly textured décor - bringing depth and sophistication to every detail.

Key features and benefits

- New light recipe in Fortimo SLM G8(N) HE portfolio optimized for luxury interior design (wood, dark ceilings, textured materials, leathers)
- Warm CCT options - 2700K and 3000K to enhance merchandise and emotional appeal
- CRI 80 and 90 versions available
- High efficiency and performance similar to Premium White G8(N) HE
- Excellent color consistency management (2 SDCM)
- System proposition (Module + Driver + Holder)
- Seamless integration into existing COB spotlight designs using industry standard LES sizes and footprints - G8 and G8N

June 2025



Ordering data

Commercial product name	EOC	12NC	EPREL registration #	Box quantity
Fortimo SLM C 827 PA 1208 L15 2024 G8 HE	8721103 116086 00	9290 048 35801	2374914	20
Fortimo SLM C 830 PA 1208 L15 2024 G8 HE	8721103 116116 00	9290 048 35901	2374908	20
Fortimo SLM C 927 PA 1208 L15 2024 G8 HE	8721103 116147 00	9290 048 35401	2374887	20
Fortimo SLM C 930 PA 1208 L15 2024 G8 HE	8721103 116178 00	9290 048 35501	2374923	20

Not all products are globally available by default.

Please contact your local sales representative for local availability and activation conditions.

Drive currents

Parameter	Nominal*	Life**	Max***	Unit
Fortimo SLM C PA 1208 L15 2024 G8 HE	750	1440	1440	mA

Module temperatures

Parameter	Nominal*	Life**	Max***	Unit
T _c (case temperature at T _c point)	65	95	95	°C

* Nominal value at which typical performance is specified

** Value at which life time is specified

*** Maximum value for safe operation, do not operate above this value

Optical characteristics - table per color (CCT)

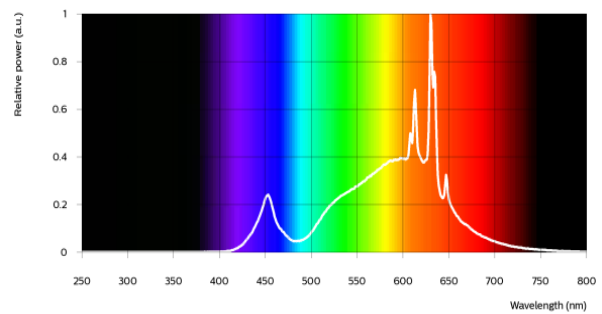
Fortimo SLM C 827 PA 1208 L15 2024 G8 HE

Parameter	Min	Typ	Max	Unit
Luminous flux	3952	4160	4576	lm
Efficacy		160		lm/W
Correlated color temperature (CCT)		2700		K
Color coordinates (CIEx, CIEy)		(0.450, 0.395)		-
Color consistency			2	SDCM
CRI	83			
R9	25			
Photometric code		827/259		
Photobiological safety		RG1 unlimited		



Measurement precision $\pm 5\%$ for the flux data and $\pm 6\%$ for the efficacy data. Measurement precision for color coordinates ± 0.005 . Measurement precision for CRI ± 1.5 .

Operation point	827	lm	lm/W
80% I-nom 600mA	Tc 25 °C	3536	172
	Tc-nom 65 °C	3386	166
	Tc-max 95 °C	3228	160
I-nom 750mA	Tc 25 °C	4347	165
	Tc-nom 65 °C	4160	160
	Tc-max 95 °C	3963	154
I-max 1440mA	Tc 25 °C	7804	142
	Tc-nom 65 °C	7439	137
	Tc-max 95 °C	7054	131



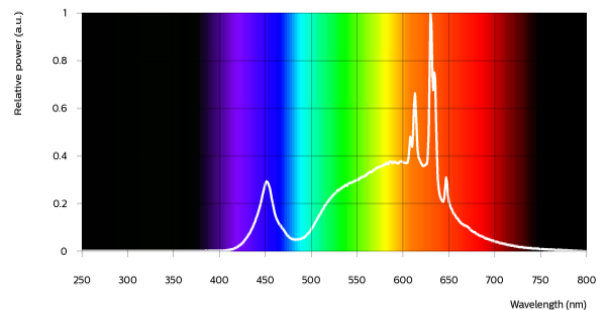
Fortimo SLM C 830 PA 1208 L15 2024 G8 HE

Parameter	Min	Typ	Max	Unit
Luminous flux	4071	4285	4714	lm
Efficacy		165		lm/W
Correlated color temperature (CCT)		3000		K
Color coordinates (CIEx, CIEy)		(0.433, 0.395)		-
Color consistency			2	SDCM
CRI	84			
R9	32			
Photometric code		830/259		
Photobiological safety		RG1 unlimited		




Measurement precision $\pm 5\%$ for the flux data and $\pm 6\%$ for the efficacy data. Measurement precision for color coordinates ± 0.005 . Measurement precision for CRI ± 1.5 .

Operation point	830	lm	lm/W
80% I-nom 600mA	Tc 25 °C	3642	177
	Tc-nom 65 °C	3487	171
	Tc-max 95 °C	3325	165
I-nom 750mA	Tc 25 °C	4478	170
	Tc-nom 65 °C	4285	165
	Tc-max 95 °C	4082	158
I-max 1440mA	Tc 25 °C	8039	146
	Tc-nom 65 °C	7664	141
	Tc-max 95 °C	7267	135

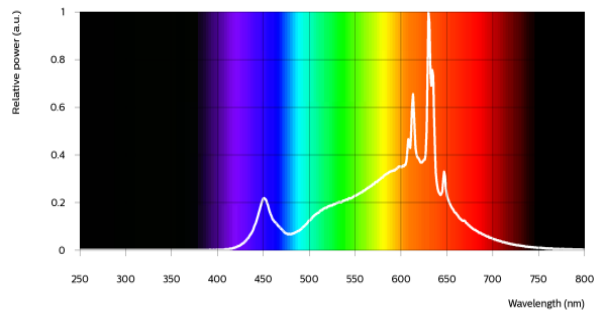


Fortimo SLM C 927 PA 1208 L15 2024 G8 HE


Parameter	Min	Typ	Max	Unit
Luminous flux	3738	3935	4328	lm
Efficacy		151		lm/W
Correlated color temperature (CCT)		2700		K
Color coordinates (CIEx, CIEy)		(0.452, 0.392)		-
Color consistency			2	SDCM
CRI	91			
R9	50			
Photometric code		927/259		
Photobiological safety		RG1 unlimited		

Measurement precision ± 5% for the flux data and ± 6% for the efficacy data. Measurement precision for color coordinates ± 0.005. Measurement precision for CRI ± 1.5.

Operation point	927	lm	lm/W
80% I-nom 600mA	Tc 25 °C	3345	162
	Tc-nom 65 °C	3203	157
	Tc-max 95 °C	3053	151
I-nom 750mA	Tc 25 °C	4112	156
	Tc-nom 65 °C	3935	151
	Tc-max 95 °C	3748	146
I-max 1440mA	Tc 25 °C	7382	134
	Tc-nom 65 °C	7037	129
	Tc-max 95 °C	6672	124

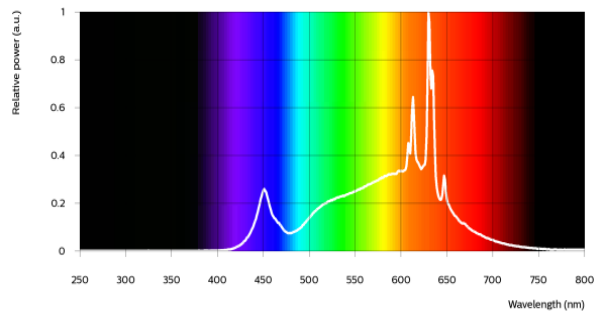


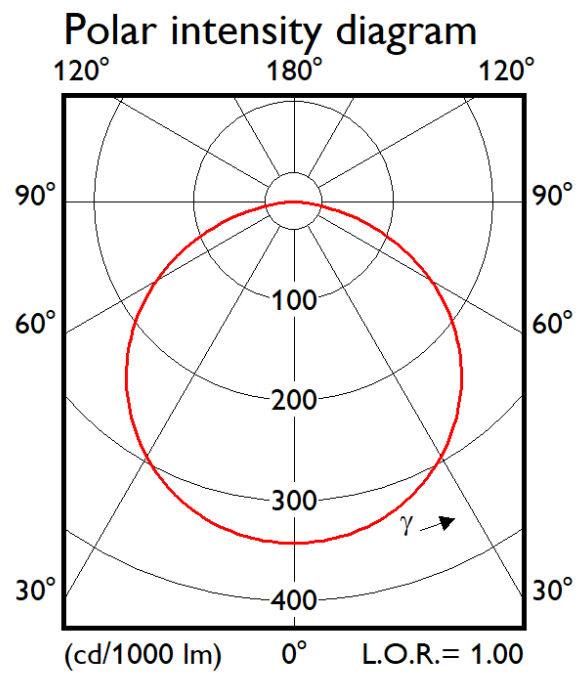
Fortimo SLM C 930 PA 1208 L15 2024 G8 HE

Parameter	Min	Typ	Max	Unit
Luminous flux	3828	4030	4433	lm
Efficacy		155		lm/W
Correlated color temperature (CCT)		3000		K
Color coordinates (CIEx, CIEy)		(0.435, 0.391)		-
Color consistency			2	SDCM
CRI	92			
R9	58			
Photometric code		930/259		
Photobiological safety		RG1 unlimited		

Measurement precision ± 5% for the flux data and ± 6% for the efficacy data. Measurement precision for color coordinates ± 0.005. Measurement precision for CRI ± 1.5.

Operation point	930	lm	lm/W
80% I-nom 600mA	Tc 25 °C	3425	166
	Tc-nom 65 °C	3280	161
	Tc-max 95 °C	3127	155
I-nom 750mA	Tc 25 °C	4211	160
	Tc-nom 65 °C	4030	155
	Tc-max 95 °C	3839	149
I-max 1440mA	Tc 25 °C	7560	137
	Tc-nom 65 °C	7207	132
	Tc-max 95 °C	6834	127





Electrical characteristics

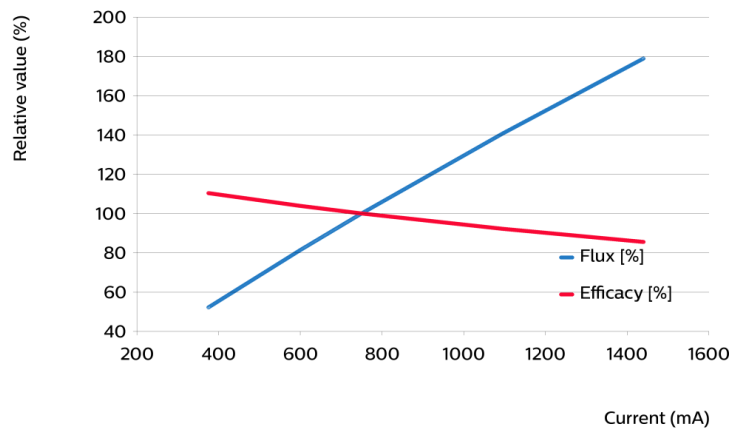
Parameter	Min	Typ	Max	Unit
Forward voltage	32.5	34.7	37.0	V
Power consumption		26.0		W = kWh/1000h
Number of modules in series per chain			1	
Number of modules per chain			1	
Number of modules in parallel			1	

Measurement precision for Vf +/- 3%. Measurement precision for power +/- 3.3%

Tuning information

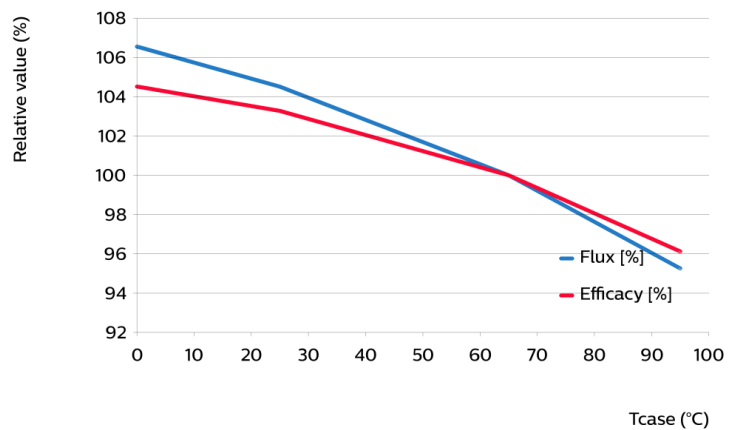
Flux and efficacy versus current (at Tc nominal)

I [mA]	Flux [%]	Efficacy [%]
1440	179	85
1095	141	92
750	100	100
600	81	104
375	52	110



Flux and efficacy versus temperature at Tc (at I nominal)

Tc [°C]	Flux [%]	Efficacy [%]
95	95	96
65	100	100
25	105	103
0	107	105



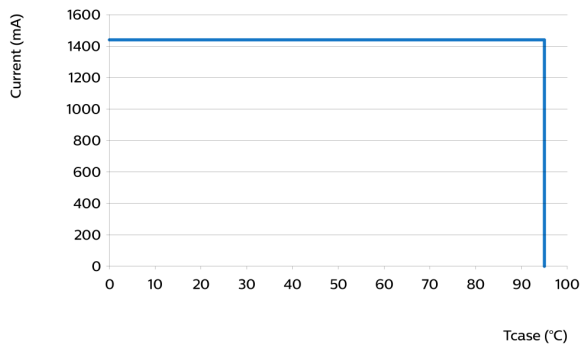
Lumen maintenance

Operation point	Lumen maintenance x 1000 hours	L70			L80			L90		
		B50	B20	B10	B50	B20	B10	B50	B20	B10
80% I-nom 600mA	Tc 50°C	>66	>66	>66	>66	>66	>66	>66	>66	>66
	Tc 65°C	>66	>66	>66	>66	>66	>66	>66	>66	>66
	Tc 95°C	>66	>66	>66	>66	>66	>66	>66	>66	>66
I-nom 750mA	Tc 50°C	>66	>66	>66	>66	>66	>66	>66	>66	>66
	Tc 65°C	>66	>66	>66	>66	>66	>66	>66	>66	>66
	Tc 95°C	>66	>66	>66	>66	>66	>66	>66	63	58
I-max 1440mA	Tc 50°C	>66	>66	>66	>66	>66	>66	50	42	39
	Tc 65°C	>66	>66	>66	>66	>66	62	38	32	29
	Tc 95°C	>66	>66	60	49	41	38	23	19	17

Lifetime

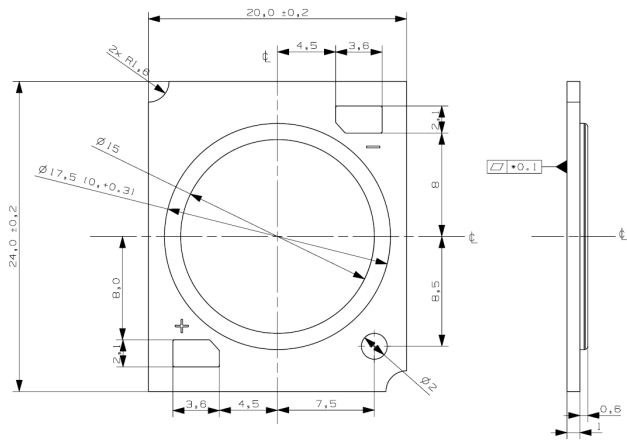
Parameter	Value	Unit
M70F50 nominal	>66000	hours

Performance Window



Mechanical characteristics

Parameter	Min	Typ	Max	Unit
Length	23.8	24	24.2	mm
Width	19.8	20	20.2	mm
Height Height PCB	0.9	1	1.1	mm
Height Height including dam	1.3	1.6	1.9	mm
Product mass		1.33		gram



Absolute ratings

Parameter	Min	Max	Unit
Current through the LED module (I-max)		1440	mA
Case temperature (Tc-max)		95	°C
ESD (direct contact)	8		kV
Working voltage		60	V _{dc}
Ambient temperature	-20	40	°C
Storage temperature	-40	80	°C

At illumination levels exceeding 1342 lux risk group classification may be RG2.

Application information

Certificates and Standards

CB
 CE
 ENEC
 ENEC+
 EPRS 001
 IEC 62031
 UKCA
 UL
 UL 8750

Environmental

RoHS/REACH

Application

Dimming

Yes



© 2025 Signify Holding, IBRS 10461, 5600VB, NL. All rights reserved. The information provided herein is subject to change, without notice. Signify does not give any representation or warranty as to the accuracy or completeness of the information included herein and shall not be liable for any action in reliance thereon. The information presented in this document is not intended as any commercial offer and does not form part of any quotation or contract, unless otherwise agreed by Signify.

www.philips.com/oem

Philips and the Philips Shield Emblem are registered trademarks of Koninklijke Philips N.V. All other trademarks are owned by Signify Holding or their respective owners.
UK importer address: Signify Commercial UK Limited, 3 Guildford Business Park, GU2 8XG

16/06/2025