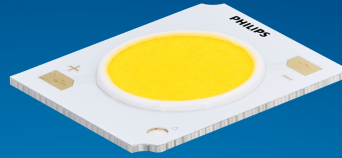


# PHILIPS

## Fortimo

### LED

Fortimo SLM C PA 1205  
L13 2024 G8 HE



## Datasheet

# Refined light recipe for effortless experiences and high-end applications

## Fortimo LED SLM G8(N) PA

Introducing the new Premium Ambiance light recipe, which expands our Fortimo SLM G8(N) HE offering by bringing a refined lighting option tailored for premium spaces. Carefully engineered to create a warm, inviting atmosphere while maintaining high focus on the merchandise, it is ideal for applications such as retail, hospitality, residential, and cruise environments where ambiance and comfort are key.

With high-quality light output combined with warmer CCT options, Premium Ambiance supports relaxed, effortless experiences while subtly enhancing the emotional appeal of the space allowing an end user to truly enjoy the illuminated space and merchandise. This light recipe has been specifically designed for settings with luxurious interior elements - such as dark-toned ceilings, wooden shelving, and richly textured décor - bringing depth and sophistication to every detail.

### Key features and benefits

- New light recipe in Fortimo SLM G8(N) HE portfolio optimized for luxury interior design (wood, dark ceilings, textured materials, leathers)
- Warm CCT options - 2700K and 3000K to enhance merchandise and emotional appeal
- CRI 80 and 90 versions available
- High efficiency and performance similar to Premium White G8(N) HE
- Excellent color consistency management (2 SDCM)
- System proposition (Module + Driver + Holder)
- Seamless integration into existing COB spotlight designs using industry standard LES sizes and footprints - G8 and G8N

June 2025



## Ordering data

Commercial product name	EOC	12NC	EPREL registration #	Box quantity
Fortimo SLM C 827 PA 1205 L13 2024 G8 HE	8721103 115966 00	9290 048 35601	2374937	20
Fortimo SLM C 830 PA 1205 L13 2024 G8 HE	8721103 115997 00	9290 048 35701	2374896	20
Fortimo SLM C 927 PA 1205 L13 2024 G8 HE	8721103 116024 00	9290 048 35201	2374928	20
Fortimo SLM C 930 PA 1205 L13 2024 G8 HE	8721103 116055 00	9290 048 35301	2374899	20

Not all products are globally available by default.

Please contact your local sales representative for local availability and activation conditions.

## Drive currents

Parameter	Nominal*	Life**	Max***	Unit
Fortimo SLM C PA 1205 L13 2024 G8 HE	500	900	900	mA

## Module temperatures

Parameter	Nominal*	Life**	Max***	Unit
T <sub>c</sub> (case temperature at T <sub>c</sub> point)	65	95	95	°C

\* Nominal value at which typical performance is specified

\*\* Value at which life time is specified

\*\*\* Maximum value for safe operation, do not operate above this value

## Optical characteristics - table per color (CCT)

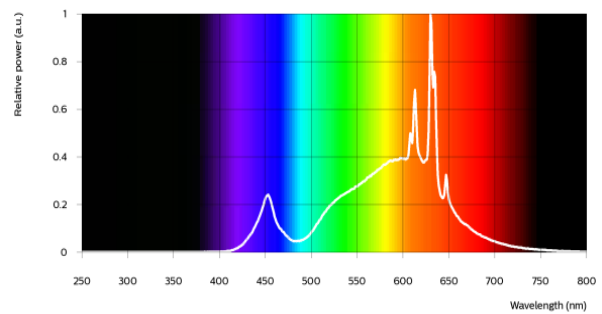
### Fortimo SLM C 827 PA 1205 L13 2024 G8 HE

Parameter	Min	Typ	Max	Unit
Luminous flux	2617	2755	3030	lm
Efficacy		159		lm/W
Correlated color temperature (CCT)		2700		K
Color coordinates (CIEx, CIEy)		(0.450, 0.395)		-
Color consistency			2	SDCM
CRI	83			
R9	25			
Photometric code		827/259		
Photobiological safety		RG1 unlimited		



Measurement precision  $\pm 5\%$  for the flux data and  $\pm 6\%$  for the efficacy data. Measurement precision for color coordinates  $\pm 0.005$ . Measurement precision for CRI  $\pm 1.5$ .

Operation point	827	lm	lm/W
80% I-nom 400mA	Tc 25 °C	2347	171
	Tc-nom 65 °C	2243	165
	Tc-max 95 °C	2127	158
I-nom 500mA	Tc 25 °C	2885	165
	Tc-nom 65 °C	2755	158
	Tc-max 95 °C	2610	152
I-max 900mA	Tc 25 °C	4894	144
	Tc-nom 65 °C	4655	138
	Tc-max 95 °C	4388	131



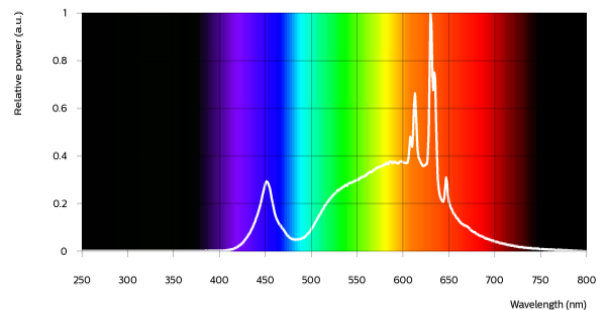
### Fortimo SLM C 830 PA 1205 L13 2024 G8 HE

Parameter	Min	Typ	Max	Unit
Luminous flux	2698	2840	3124	lm
Efficacy		164		lm/W
Correlated color temperature (CCT)		3000		K
Color coordinates (CIEx, CIEy)		(0.433, 0.395)		-
Color consistency			2	SDCM
CRI	84			
R9	32			
Photometric code		830/259		
Photobiological safety		RG1 unlimited		




Measurement precision  $\pm 5\%$  for the flux data and  $\pm 6\%$  for the efficacy data. Measurement precision for color coordinates  $\pm 0.005$ . Measurement precision for CRI  $\pm 1.5$ .

Operation point	830	lm	lm/W
80% I-nom 400mA	Tc 25 °C	2419	177
	Tc-nom 65 °C	2312	170
	Tc-max 95 °C	2193	162
I-nom 500mA	Tc 25 °C	2974	170
	Tc-nom 65 °C	2840	163
	Tc-max 95 °C	2691	156
I-max 900mA	Tc 25 °C	5046	148
	Tc-nom 65 °C	4799	142
	Tc-max 95 °C	4525	135

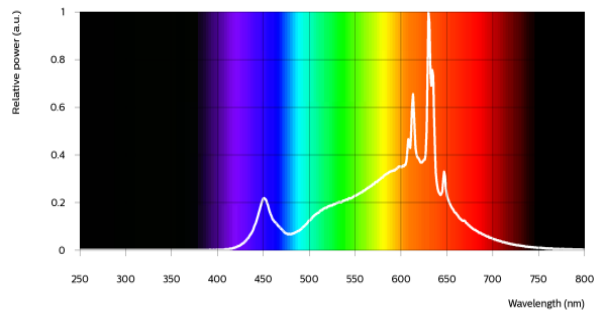


Fortimo SLM C 927 PA 1205 L13 2024 G8 HE


Parameter	Min	Typ	Max	Unit
Luminous flux	2480	2610	2871	lm
Efficacy		150		lm/W
Correlated color temperature (CCT)		2700		K
Color coordinates (CIEx, CIEy)		(0.452, 0.392)		-
Color consistency			2	SDCM
CRI	91			
R9	50			
Photometric code		927/259		
Photobiological safety		RG1 unlimited		

Measurement precision ± 5% for the flux data and ± 6% for the efficacy data. Measurement precision for color coordinates ± 0.005. Measurement precision for CRI ± 1.5.

Operation point	927	lm	lm/W
80% I-nom 400mA	Tc 25 °C	2223	162
	Tc-nom 65 °C	2125	156
	Tc-max 95 °C	2015	149
I-nom 500mA	Tc 25 °C	2733	156
	Tc-nom 65 °C	2610	150
	Tc-max 95 °C	2473	144
I-max 900mA	Tc 25 °C	4637	136
	Tc-nom 65 °C	4410	131
	Tc-max 95 °C	4157	124

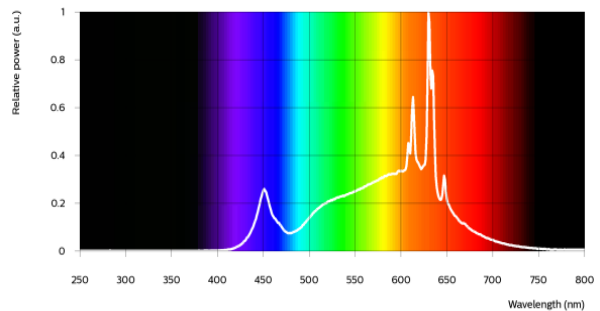


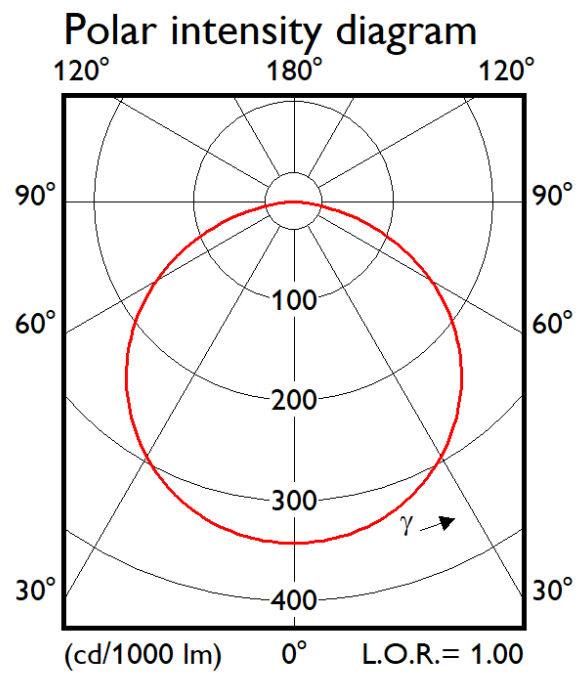
Fortimo SLM C 930 PA 1205 L13 2024 G8 HE

Parameter	Min	Typ	Max	Unit
Luminous flux	2536	2670	2937	lm
Efficacy		154		lm/W
Correlated color temperature (CCT)		3000		K
Color coordinates (CIEx, CIEy)		(0.435, 0.391)		-
Color consistency			2	SDCM
CRI	92			
R9	58			
Photometric code		930/259		
Photobiological safety		RG1 unlimited		

Measurement precision ± 5% for the flux data and ± 6% for the efficacy data. Measurement precision for color coordinates ± 0.005. Measurement precision for CRI ± 1.5.

Operation point	930	lm	lm/W
80% I-nom 400mA	Tc 25 °C	2274	166
	Tc-nom 65 °C	2173	160
	Tc-max 95 °C	2061	153
I-nom 500mA	Tc 25 °C	2796	160
	Tc-nom 65 °C	2670	153
	Tc-max 95 °C	2530	147
I-max 900mA	Tc 25 °C	4744	140
	Tc-nom 65 °C	4512	134
	Tc-max 95 °C	4254	127





## Electrical characteristics

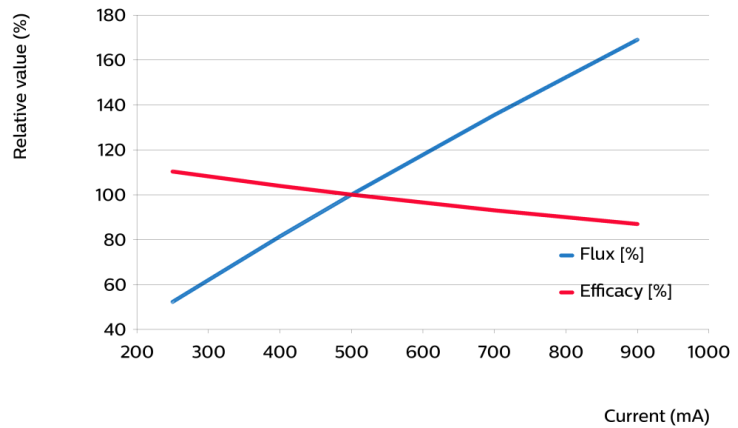
Parameter	Min	Typ	Max	Unit
Forward voltage	32.5	34.7	37.0	V
Power consumption		17.4		W = kWh/1000h
Number of modules in series per chain			1	
Number of modules per chain			1	
Number of modules in parallel			1	

Measurement precision for Vf +/- 3%. Measurement precision for power +/- 3.3%

## Tuning information

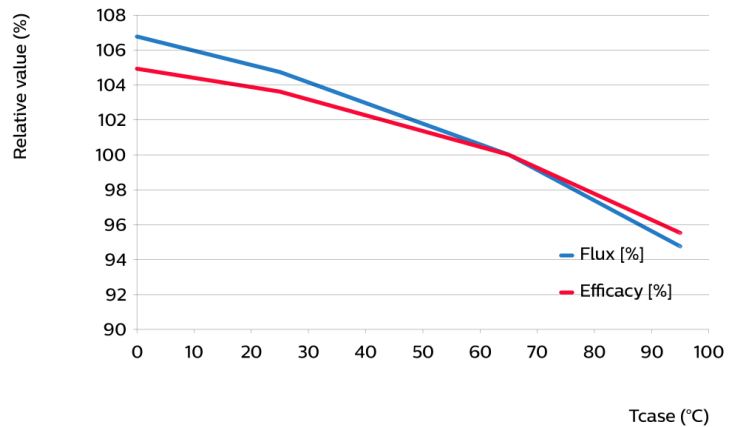
Flux and efficacy versus current (at Tc nominal)

I [mA]	Flux [%]	Efficacy [%]
900	169	87
700	135	93
500	100	100
400	81	104
250	52	110



Flux and efficacy versus temperature at Tc (at I nominal)

Tc [°C]	Flux [%]	Efficacy [%]
95	95	96
65	100	100
25	105	104
0	107	105



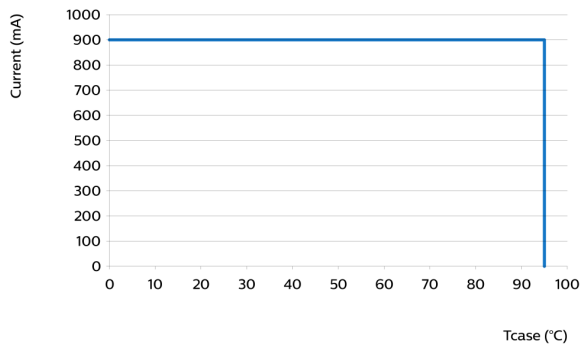
## Lumen maintenance

Operation point	Lumen maintenance x 1000 hours	L70			L80			L90		
		B50	B20	B10	B50	B20	B10	B50	B20	B10
80% I-nom 400mA	Tc 50°C	>66	>66	>66	>66	>66	>66	>66	>66	>66
	Tc 65°C	>66	>66	>66	>66	>66	>66	>66	>66	>66
	Tc 95°C	>66	>66	>66	>66	>66	>66	>66	>66	>66
I-nom 500mA	Tc 50°C	>66	>66	>66	>66	>66	>66	>66	>66	>66
	Tc 65°C	>66	>66	>66	>66	>66	>66	>66	>66	>66
	Tc 95°C	>66	>66	>66	>66	>66	>66	>66	56	51
I-max 900mA	Tc 50°C	>66	>66	>66	>66	>66	>66	50	42	39
	Tc 65°C	>66	>66	>66	>66	>66	62	38	32	29
	Tc 95°C	>66	>66	60	49	41	38	23	19	17

## Lifetime

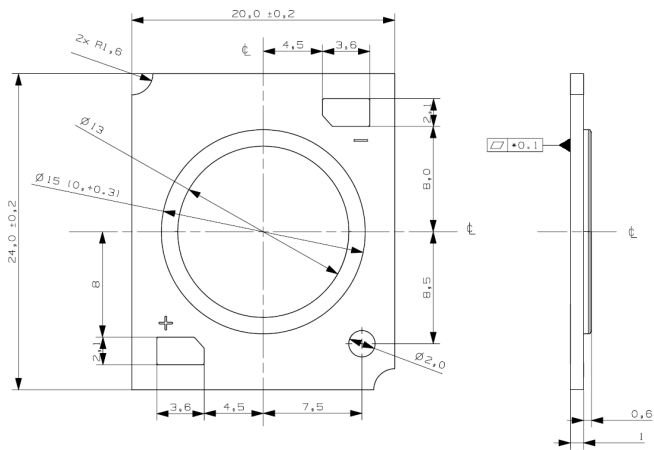
Parameter	Value	Unit
M70F50 nominal	>66000	hours

## Performance Window



## Mechanical characteristics

Parameter	Min	Typ	Max	Unit
Length	23.8	24	24.2	mm
Width	19.8	20	20.2	mm
Height Height PCB	0.9	1	1.1	mm
Height Height including dam	1.3	1.6	1.9	mm
Product mass		1.3		gram



## Absolute ratings

Parameter	Min	Max	Unit
Current through the LED module (I-max)		900	mA
Case temperature (Tc-max)		95	°C
ESD (direct contact)	8		kV
Working voltage		60	V <sub>dc</sub>
Ambient temperature	-20	40	°C
Storage temperature	-40	80	°C

At illumination levels exceeding 1342 lux risk group classification may be RG2.

## Application information

### Certificates and Standards

CB  
CE  
ENEC  
ENEC+  
EPRS 001  
IEC 62031  
UKCA  
UL  
UL 8750

### Environmental

RoHS/REACH

### Application

Dimming	Yes
---------	-----



© 2025 Signify Holding, IBRS 10461, 5600VB, NL. All rights reserved. The information provided herein is subject to change, without notice. Signify does not give any representation or warranty as to the accuracy or completeness of the information included herein and shall not be liable for any action in reliance thereon. The information presented in this document is not intended as any commercial offer and does not form part of any quotation or contract, unless otherwise agreed by Signify.

[www.philips.com/oem](http://www.philips.com/oem)

Philips and the Philips Shield Emblem are registered trademarks of Koninklijke Philips N.V. All other trademarks are owned by Signify Holding or their respective owners.  
UK importer address: Signify Commercial UK Limited, 3 Guildford Business Park, GU2 8XG

16/06/2025