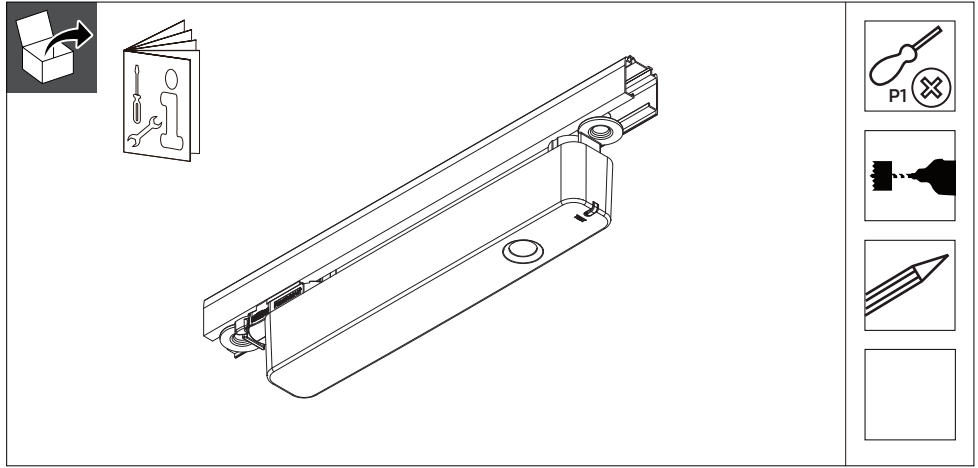


PHILIPS

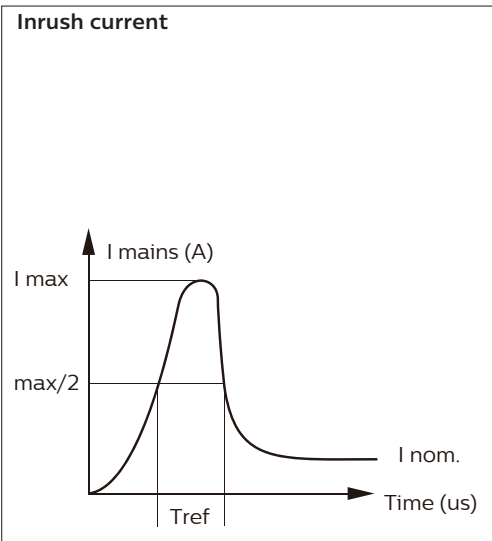
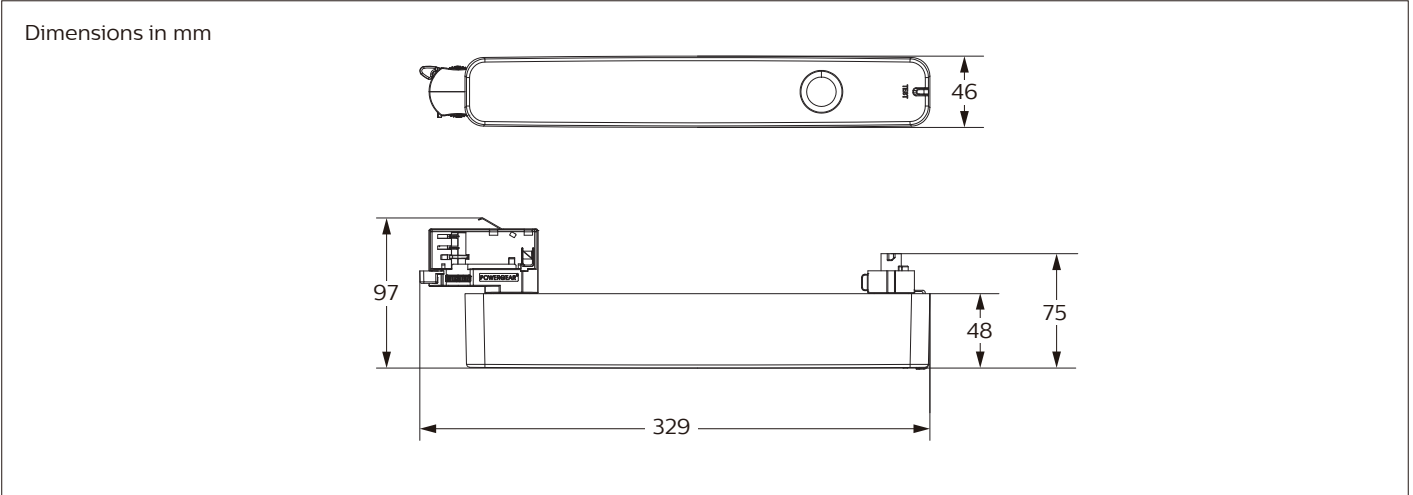
Emergency Downlight

EM160T TRK Downlight



CE	CB	UK CA	indoor	220V 240V	50Hz 60Hz	LEDs	IP20	GLOW WIRE 850 °C	Max. 45 °C Min. 0 °C	
----	----	-------	--------	--------------	--------------	------	------	---------------------	-------------------------	--

Test	CCT (K)	Lumen (lm)	P (W)	kg	
EM160T TRK 2S OA NM3 ELP WH IP20	Self test/manual test switchable	6500	250	AC: 4.8 DC: 1.7	0.42
EM160T TRK 2S OA NM3 ELP BK IP20					



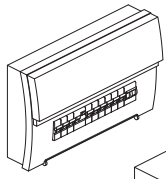
Electrical characteristics

Inom (mA)	0.051
I max (A)	6.96
Tref (µs)	15.8
MCB	Luminaire's Max.
B-10 A	122.84
B-13 A	159.7
B-16 A	196.55
C-10 A	137.25
C-13 A	178.43
C-16 A	219.61

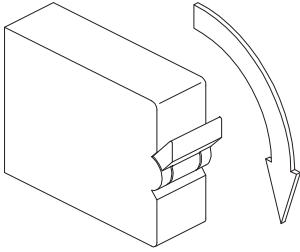
ATTENTION
OBSERVE PRECAUTIONS FOR HANDLING ELECTROSTATIC SENSITIVE DEVICES

- The luminaire shall be installed by a qualified electrician and wired in accordance with the latest IEE electrical regulations or the national requirements.
- When the light source reaches its end of life the whole luminaire shall be replaced.
- Clean with dry cloth.
- Philips Lighting warranty is applicable only if the indicated drivers are used.

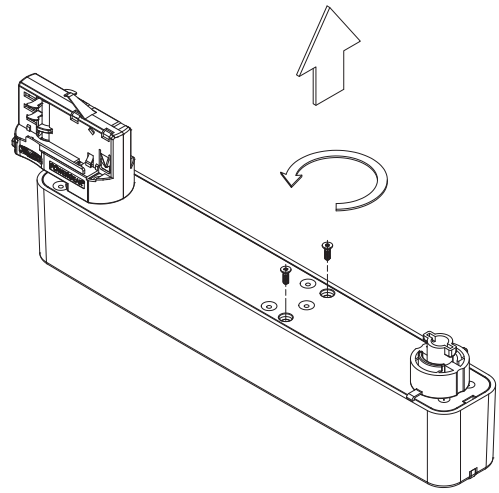
912401483656 (EM160T TRK 2S OA NM3 ELP WH IP20)
912401483657 (EM160T TRK 2S OA NM3 ELP BK IP20)



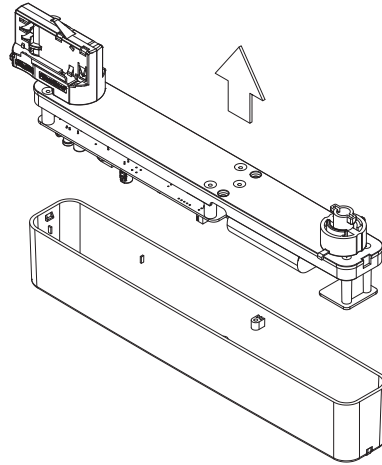
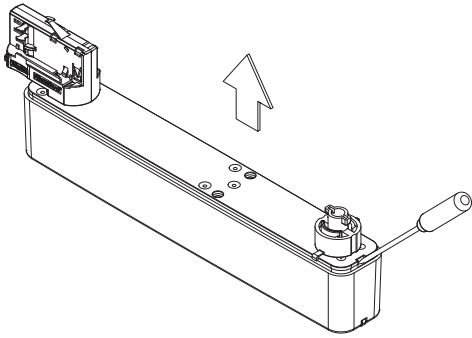
ALWAYS SWITCH OFF THE
MAINS SUPPLY BEFORE
INSTALLATION OR SERVICING



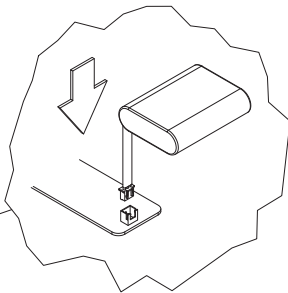
1



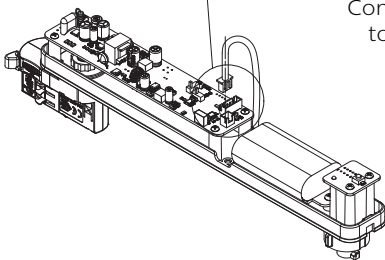
2



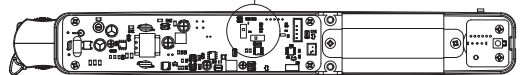
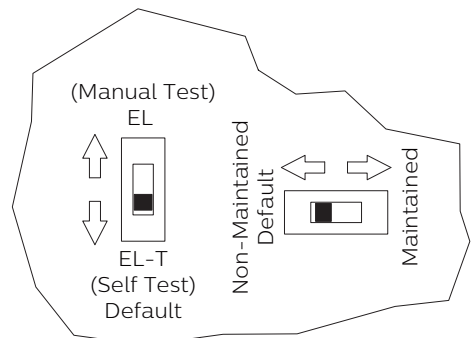
3



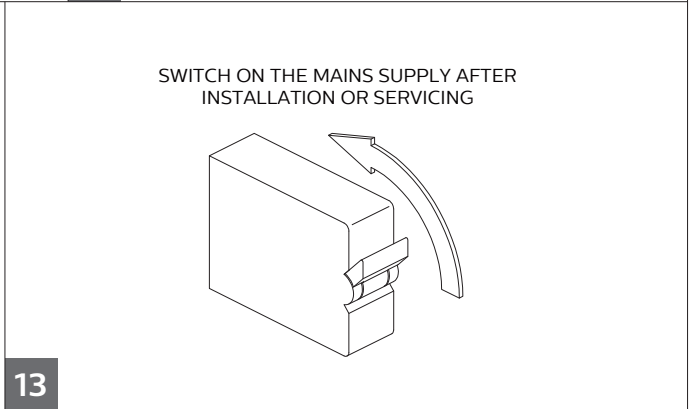
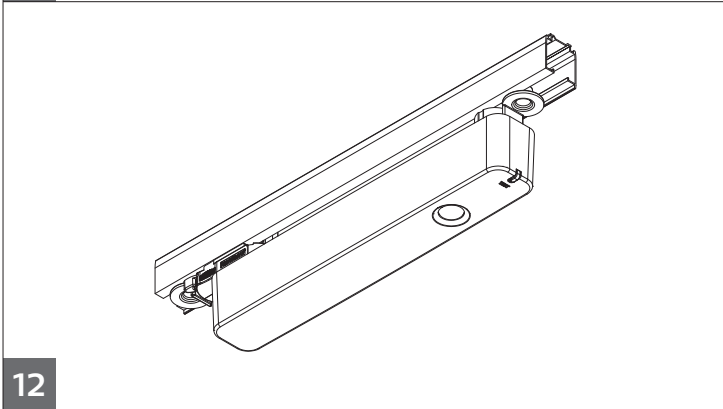
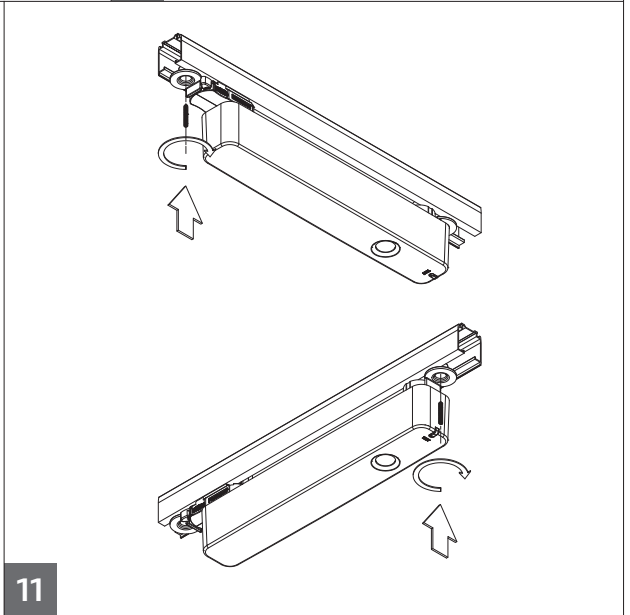
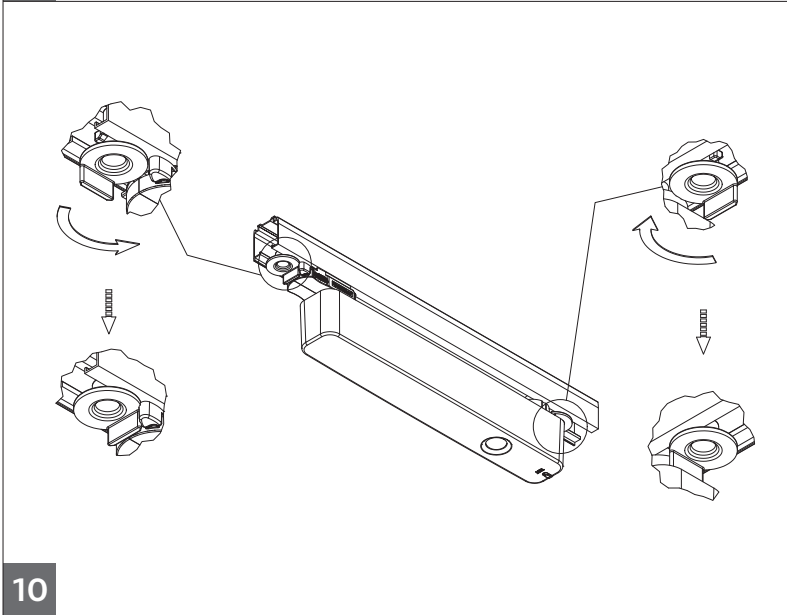
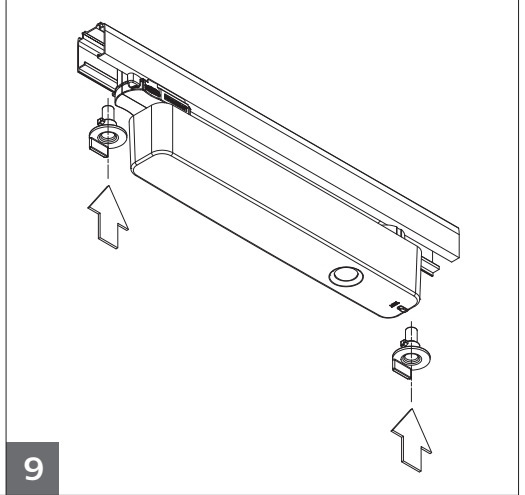
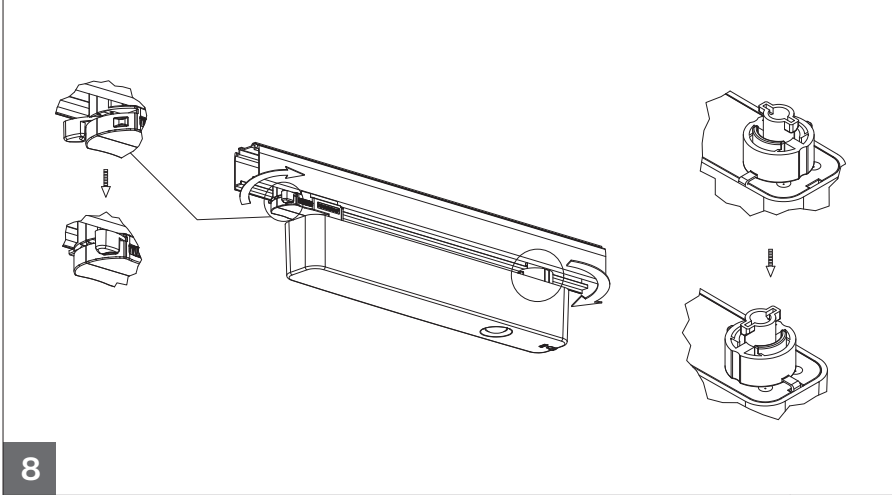
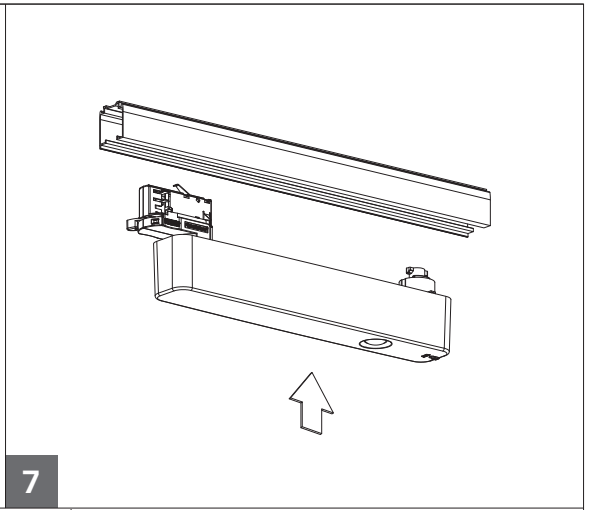
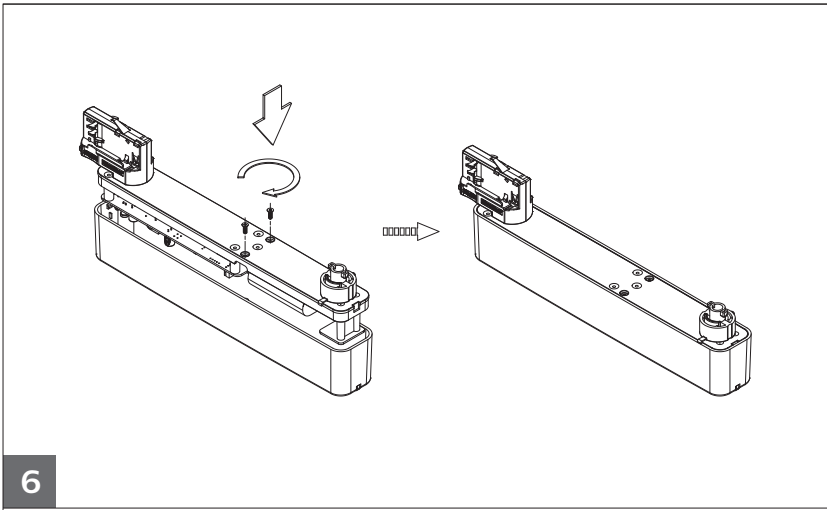
Connect battery
to converter



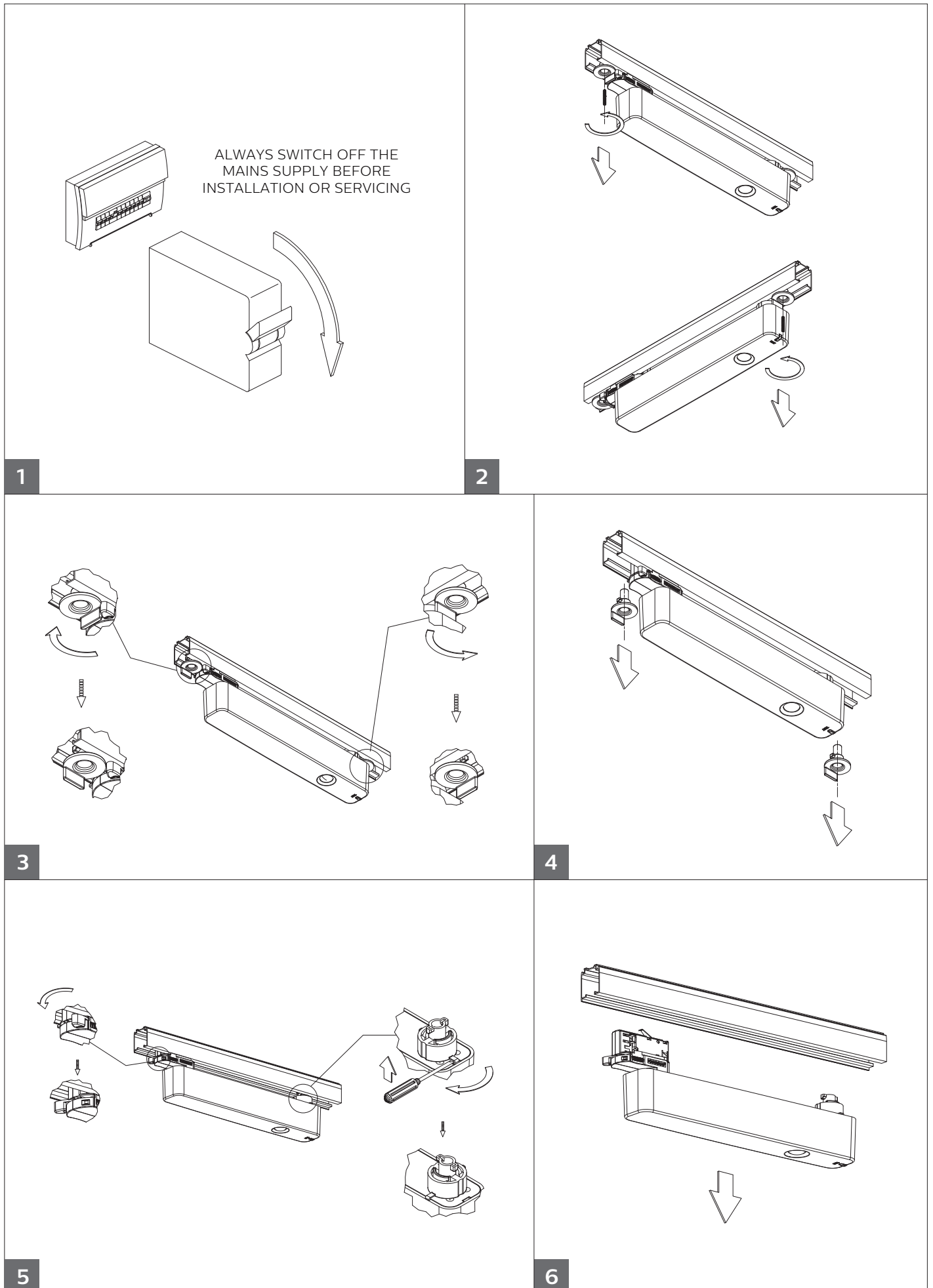
4



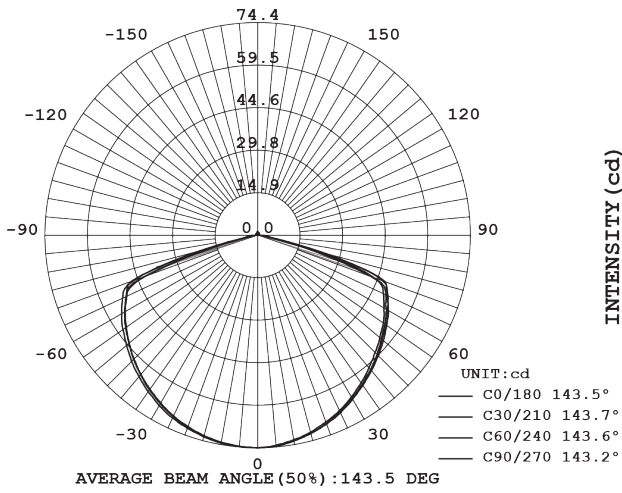
5



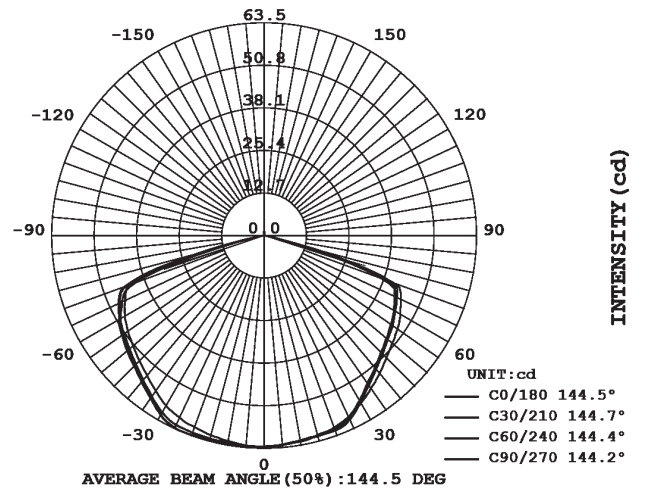
Disassembly instruction



Luminous Intensity Distribution (WH)



Luminous Intensity Distribution (WH)



Corridor Spacing Data (1 lux)-WH

Mounting Height (m)					
2.50	3.99	10.56	10.55	10.55	3.99
3.00	4.09	11.04	11.03	11.01	4.08
3.50	4.11	11.40	11.38	11.36	4.10
4.00	4.07	11.63	11.60	11.59	4.07

Corridor Spacing Data (1 lux)-WH

Mounting Height (m)					
2.50	3.79	10.16	10.22	10.16	3.73
3.00	3.83	10.57	10.64	10.56	3.77
3.50	3.81	10.84	10.93	10.84	3.75
4.00	3.73	10.98	11.07	10.97	3.67

Emergency Downlight

Specifications For Self Test

Function Test









The function test is conducted every week for 5 seconds to check whether the battery connection is abnormal and discharge the battery and the connection of LED module.

Duration Test

An initial duration test is conducted when the battery is connected to the controller for the first time and connected to mains, but after 24 hours charging.

The duration test is conducted for 3 hours on one day within the 175th day to the 195th day every half year. It will also check the connection of battery and LED module.

Description corresponding to the color and status of the charge indicator

Charge Indicator Color	Status	On Time (Seconds)	Off Time (Seconds)	Description
Green	 Permanent on	/	/	Normal status when mains connected
	 Slow flash	1s	1s	Duration test running
	 Fast flash	0.2s	0.2s	Function test running
	 Normal flash three times only	0.5s	0.5s	Time reset
Red	 Permanent on	/	/	Battery connection is abnormal or failure
	 Slow flash	1s	1s	Lamp connection is abnormal or failure
	 Fast flash	0.2s	0.2s	Duration failure - the capacity of the battery is insufficient
Both Off	 Off	/	/	Emergency mode

Failure indication status should be checked and rectified as soon as possible.

Test button for manual inspection on function test or duration test mode of operation

Duration	Description
Press for <2s	Simulate emergency mode.
Press for 3-5s	Start duration test manually. The test can be aborted by pressing off (1-2s). * Must be conducted when the initial duration test finished and after another 24 hours battery charging.
Press for 5-8s	Start Function test manually for 60s. The test can be aborted by pressing off (1-2s).
Press for >10s	Time Reset.

Note:

1. When the mains is on, the green indicator will be permanently on. It will check the connection of battery and the connection of LED module. When the mains is off, no test will perform.
2. When there is a lamp failure at non-maintained mode, the indicator remains green but will turn red and be slow flashing after the failure is detected in a weekly function test.
3. The luminaries on which you want to perform the duration tests must be connected to the mains supply for at least 24 uninterrupted hours.
4. When the fault is corrected, the indicator will only be reset to its normal status after mains reconnected or test switch pressed.
5. An accuracy of the timing of the test interval is ensured that it has an accuracy of ± 75 s per week. The timing function will be retained through periods of mains supply failure or interruption for up to 7 days.
6. The battery charge shall not start if the cell temperature is below 0°C or above 60°C.



1. For indoor use only.
2. The luminaire complies with IEC60598-1 and IEC 60598-2-22.
The luminaire must be installed by a qualified electrician and wired in accordance with the latest IEE Electrical regulations or the national requirements.
3. Turn off the power supply before checking, installation, maintenance or moving.
4. Do not switch on before complete installation.
5. Batteries shall only be replaced by the manufacturer or his service agent or a similar qualified person.
6. Batteries should be replaced when the luminaire no longer meets the 3 hours duration performance.
7. Product mains surge immunity is 0.5/1KV (diff. / comm. mode). To prevent excessive currents and voltages from damaging the device, make sure that the power supply input is equipped with additional protection devices such as surge protectors. For any questions regarding the product's surge protection, please consult the manufacturer's professional.



It is important to have a clear understanding of the proper procedures and regulations regarding the local waste disposal, separation and collection system for electrical and electronic products and packaging. Please act according to your local rules and do not dispose your old product and packaging with your normal household waste. The correct disposal of the packaging, your product and/or batteries will help prevent potential negative consequences for the environment and human health. Batteries should be disposed separately from the municipal waste stream via designated collection facilities. When disposing a product that contains non-user replaceable batteries, the non-user replaceable batteries shall be removed by a professional.

Testing Record

Product: _____ Location: _____ Installation Date: _____

Month	Functional/Duration	Year 1	Year 2	Year 3	Year 4	Year 5
1						
2						
3						
4						
5						
6						
7						
8						
9						
10						
11						
12						



GB - Disconnect before servicing
FR - Mettre hors tension avant intervention
DE - Öffnen nur spannungsfrei
NL - Stroom afsluiten voor onderhoud
LT - Pirms apkopes atvienojiet no elektrības
EE - Katkesta elektriltoide enne valgusti hooldust/remont
PT - Desconecte antes de fazer a manutenção

DK - Frakobl, før service
NO - Koble fra før service
FI - Irrota pistoke ennen huolto
CZ - Před servisem se odpojte
TR - Servis yapmadan önce bağlantıyı kesin
HR - Prije servisiranja isključite
GR - Αποσυνδέστε πριν από τη συντήρηση
BG - Изключете преди сервис
RU - Отключите перед обслуживанием
LV - Pirms apkopes atvienojiet to

IT - Togliere tensione prima di fare manutenzione
ES - Desconectar antes de manipular
SE - Bryt strömmen före lampbyte
SK - Odpojit' pred údržbou
SI - Pred servisiranjem izključite svetilko
HU - Karbantartás előtt húzza ki a csatlakozót
PL - Odłącz przed serwisowaniem
RO - Deconectați-vă înainte de întreținere

GB	Luminaire has basic insulation between Low Voltage supply and control conductors.	SE	Armaturen har enkelisolering mellan lågvoltsförsörjningen och styrledningarna.	GR	Το φωτιστικό διαθέτει βασική μόνωση μεταξύ της χαμηλής τάσης τροφοδοσίας και των αγωγών ελέγχου.
ES	La luminaria tiene un aislamiento básico entre la alimentación de baja tensión y los cables de la señal de control.	NO	Armaturet har enkelisolering mellom lavvoltsforsyningen og styreledningene.	CZ	Ve svítidle je mezi vodiči napájení a řízení základní izolace.
PT	A luminária tem um isolamento básico entre a alimentação de baixa tensão e os cabos de sinal de controlo.	FI	Valaismissa on peruseristys syöttöjännitteen ja ohjausjohtimien välillä.	TR	Armatur, Alçak Gerilim beslemesi ile kontrol iletkenleri arasında temel izolasyona sahiptir
DE	Die Leuchte verfügt über eine einfache Isolation zwischen der Niederspannungsversorgung und den Steuerleitungen.	HU	A lámpatest kisfeszültségű és szabályozó bemenetei galvanikusan elvannak választva.	SK	Svietidlo má základnú izoláciu medzi vodičmi zdroja nízkeho napätia a radiacimi vodičmi.
FR	Le luminaire comporte une isolation de base entre l'alimentation basse tension et les câbles de contrôle.	RO	Corpul de iluminat dispune de izolație de bază între sistemul de alimentare de joasă și conductorii de control.	LT	Švietuvas turi elementarią izoliaciją tarp žemos įtampos maitinimo ir valdymo laidų.
IT	Il grado di isolamento tra il conduttore di alimentazione ed il conduttore di segnale è básico.	BG	Осветителното тяло има основна изолация между захранването ниско напрежение и контролните проводници.	LV	Gaismeklīm ir pamata izolācija starp zemsprieguma barošanas un vadības aprīkojuma.
NL	Armatuur heeft een basisisolatie tussen laagspannings-voeding en controle bedrading.	RU	Светильник обладает базовой электроизоляцией между низковольтным блоком питания и управляющими проводниками.	EE	Valgustil on põhiisolatsioon madalpinge toite ja juhtimiseadmete vahel.
DK	Armaturet har enkelisolering mellem lavvoltsforsyningen og styreledningerne.	PL	Oprawa posiada podstawową izolację pomiędzy modulem zasilania niskonapięciowego i przewodami sterującymi.	SI	Svetilka ima osnovno izolacijo med nizkonapetostnimi napajalnimi in regulacijskimi vodniki.
				HR	Svjetiljka ima osnovnu izolaciju između napajanja i upravljačkih konektora.

GB	The control gear and/or the external flexible cable contained in this luminaire shall only be replaced by the manufacturer or his service agent or a similar qualified person. The light source contained in this luminaire is not replaceable, in case of damage replace the luminaire.
ES	El driver o el cable flexible contenido en la luminaria solo podrá ser sustituido por el fabricante o su agente de servicio o por una persona cualificada. La fuente de luz contenida en esta luminaria no es reemplazable, en caso de defecto se reemplazará la luminaria.
PT	O equipamento de controlo e/ou o cabo externo flexível nesta luminária só devem ser substituídos pelo fabricante ou pelo seu agente de serviço ou por pessoa qualificada para tal. A fonte de luz nesta luminária não é substituível, em caso de avaria, substitua a luminária.
DE	Das in der Leuchte enthaltene Betriebsgerät und/oder das externe flexible Anschlusskabel dürfen nur vom Hersteller oder seinem Kundendienst oder einer ähnlich qualifizierten Person ausgetauscht werden. Die in dieser Leuchte enthaltene Lichtquelle ist nicht austauschbar, tauschen Sie im Schadensfall die Leuchte aus.
FR	Le contrôleur de courant et/ou le câble souple d'alimentation contenus dans ce luminaire ne doivent être remplacés que par le fabriquant, un de ses agents ou une personne qualifiée. La source lumineuse de ce luminaire n'est pas remplaçable, changez le produit en cas de défaut.
IT	Il dispositivo di controllo e/o il cavo flessibile esterno contenuti in questo apparecchio di illuminazione sono sostituiti solo dal costruttore, dal suo agente di servizio o da una persona qualificata analoga. La sorgente luminosa contenuta in questo apparecchio non è sostituibile, in caso di danni sostituire l'intero apparecchio di illuminazione.
NL	De voorschakelapparatuur en/of de flexibele voedingskabel van dit armatuur mag alleen vervangen worden door de fabrikant of haar service dealer of een vergelijkbaar gekwalificeerd persoon. De lichtbron van dit armatuur is niet vervangbaar, in geval van defect dient het armatuur vervangen te worden.
DK	Driver og/eller eksterne kabler indeholdt i dette armatur må kun udskiftes af producenten eller hans service partner eller lignende kvalificeret person. Lyskilden indeholdt i dette armatur er ikke udskiftelig. I tilfælde af skade skift hele armaturet.
SE	Styrsystemet och/eller den externa kabeln i denna armatur får endast bytas ut av tillverkaren eller en kvalificerad person. Ljuskällan är inte utbytbar. Vid skada ska därför hela armaturen bytas ut.
NO	Driveren og/eller den eksterne kabelen i dette armaturet skal bare erstattes av produsenten eller dens service agent eller tilsvarende kvalifisert person. Lyskilden i dette armaturet er ikke mulig å erstatte, hvis den er ødelagt må armaturet byttes ut.
CZ	Napájecí zdroj (předřadník) a/nebo flexibilná napájecí kabel obsa en v tomto svítidle smí vyměňovat pouze v robce nebo jeho servisní technik nebo obdobně kvalifikovaná osoba. Světelný zdroj obsa en v tomto svítidle není vyměnitelný, v případě poškození vyměňte celé svítidlo.
FI	Tämän valaisimen liitäntälaitte ja/tai ulkoinen kaapeli saadaan vaihtaa vain valmistajan tai tämän valtuuttaman huoltoedustajan tai vastaavan pätevän henkilön toimesta. Tässä valaisimessa oleva valonlähde ei ole vaihdettavissa, vaihda valaisin LED-komponentin vikaantuessa.
PL	Źródło światła i/lub zasilacz i/lub zewnętrzny przewód zasilający, który jest w oprawie powinien być wymieniony przez producenta lub jego serwisanta lub kwalifikowany personel. Źródło światła w tej oprawie nie jest wymienne, w przypadku jego uszkodzenia należy wymienić oprawę.
RO	Aparatul și / sau cablul flexibil extern conținut în acest aparat de iluminat trebuie înlocuit numai de producător sau de agentul de service sau de o persoană similară calificată. Sursa de lumină conținută în acest aparat de iluminat nu poate fi înlocuită, în caz de deteriorare înlocuiți aparatul de iluminat.
HU	A lámpatestben található működtető szerelvényét és/vagy a külső rugalmas kábelét csak a gyártó, a gyártóval szerződött cég vagy megfelelő képesítéssel rendelkező szakember cserélheti ki. A fényforrás ebben a lámpatestben nem cserélhető, meghibásodás esetén cserélje a teljes lámpatestet.
TR	Bu armatürde bulunan kontrol tertibatı ve / veya harici esnek kablo yalnızca imalatçı veya onun servis temsilcisi veya benzer bir kalifiye kişi tarafından değiştirilmelidir. Bu armatürde bulunan ışık kaynağı değiştirilemez, hasar olması durumunda armatürü değiştiriniz.
HR	Predspojna naprava i / ili vanjski fleksibilni napojni kabel sadr an u ovoj svjetiljci smije zamijeniti samo proizvođač, ovlašteni serviser ili adekvatna stručno osposobljena i ovlaštena osoba. Izvor svjetlosti sadr an u ovoj svjetiljci nije zamjenjiv, u slučaju njegovog kvara, zamijeniti cijelu svjetiljku.
GR	Το όργανο έναυσης/ελέγχου ή/και το εξωτερικό εύκαμπτο καλώδιο που περιέχεται σε αυτό το φωτιστικό πρέπει να αντικαθίστανται μόνο από τον κατασκευαστή ή τον αντιπρόσωπο σέρβις ή παρόμοιο ειδικευμένο πρόσωπο. Η φωτεινή πηγή που περιέχεται σε αυτό το φωτιστικό δεν μπορεί να αντικατασταθεί, σε περίπτωση βλάβης αντικαταστήστε το φωτιστικό.

- BG Пусково-регулирущата апаратура и / или външният гъвкав кабел, съдържащ се в това осветително тяло, трябва да бъдат заменени само от производителя или неговия оторизиран сервиз или подобно квалифицирано лице. Източникът на светлина, съдържащ се в това осветително тяло, не е заменяем, в случай на повреда заменете цялото осветителното тяло.
- RU ПРА и / или внешний гибкий кабель, содержащиеся в этом светильнике, могут быть заменены только производителем, его агентом по обслуживанию или аналогичным квалифицированным лицом. Источник света, содержащийся в этом светильнике, не подлежит замене, в случае повреждения замените светильник.
- SK Predradník a/alebo extern flexibiln kábel obsiahnut v tomto svietidle mô e by t' vymenen len v robcom alebo servis m partnerom alebo inou podobne kvalifikovanou osobou. Sveteln zdroj obsiahnut v tomto svietidle nie je vymenite ln , v prípade poškodenia vymeňte svietidlo.
- LT Valdymo įrenginys ir/arba išorinis lankstus kabelis esantis šiame šviestuve gali būti pakeistas tik gamintojo arba jo aptarnavimo agento artai atitinkančio kvalifikuoto asmens. Esantis šiame šviestuve šviesos šaltinis nėra keičiamas, jam sugedus keičiamas šviestuvas.
- LV Šajā gaismeklī esošo vadības ierīci un / vai ārējo elastīgo kabeli drīkst nomainīt tikai raotājs vai viņa servisa pārstāvis vai līdzīga kvalificēta persona. Šajā gaismeklī esošais gaismas avots nav nomaināms, bojājuma gadījumā nomainiet gaismekli.
- EE Selles valgustis sisalduva juhtseadme ja/või välise painduva kaabli võib välja vahetada ainult tootja, vastav hoolduspetsialist või muu sarnane kvalifitseeritud isik. Selles valgustis sisalduvat valgusallikat ei saa vahetada, kahjustuste korral vahetage välja valgusti.
- SI Napajalnik in / ali zunanji prilagodljivi kabel, ki ga vsebuje ta svetilka, lahko zamenja samo proizvajalec ali njegov servis ali podobna usposobljena oseba. Vir svetlobe, ki ga vsebuje ta svetilka, ni zamenljiv, v primeru poškodbe svetilko zamenjajte.

- GB Storage, installation, use, operation and maintenance of the products needs to be performed exactly according the instructions in this manual and/or other instructions as may be provided by us to guarantee safe use of the product over its entire lifetime. Failure to adhere to these instructions will invalidate your entitlement to warranty. Bolts with indication of torque strength on the drawing need to be tightened using a calibrated torque wrench. Pre-assembled bolts need to be retightened again to the required torque specification to assure maximum strength over lifetime.
- ES El almacenamiento, instalación, uso, funcionamiento y mantenimiento de este producto debe realizarse exactamente según las instrucciones de este manual, así como otras instrucciones que le proporcionemos con el fin de garantizar un uso seguro del producto durante toda su vida útil. Si no se cumplen estas instrucciones, la garantía quedará anulada. Los tornillos con indicación de par de apriete en el dibujo, deben apretarse con una llave dinamométrica calibrada. Los tornillos del acoplamiento premontados deben reapretarse de nuevo con la especificación de par de apriete necesaria para garantizar una solidez máxima durante toda la vida útil de la luminaria.
- PT Para garantir uma utilização segura do produto durante a respetiva vida útil, o armazenamento, a instalação, a utilização, a operação e a manutenção dos produtos tem de ser efetuados exatamente de acordo com as instruções neste manual e/ou com outras instruções que possam ser fornecidas por nós. O incumprimento destas instruções irá invalidar o direito a garantia. Os parafusos com indicação do torque no esquema tem de ser apertados utilizando uma chave dinamométrica calibrada. Os parafusos pré-montados tem de ser novamente apertados de acordo com a especificação de torque necessário para garantir uma resistência máxima durante a vida útil.
- DE Lagerung, Installation, Verwendung, Betrieb und Wartung der Produkte müssen genau nach den Anweisungen in dieser Anleitung und/oder anderen von uns zur Verfügung gestellten Anweisungen erfolgen, um eine sichere Verwendung des Produkts über seine gesamte Lebensdauer zu gewährleisten. Bei Nichtbeachtung dieser Hinweise erlischt Ihr Anspruch auf Gewährleistung. Schrauben mit Angabe der Drehmomente auf der Zeichnung müssen mit einem kalibrierten Drehmomentschlüssel angezogen werden. Vormontierte Schrauben müssen mit dem angegebenen Drehmoment nachgezogen werden, um eine maximale Festigkeit über die gesamte Lebensdauer zu gewährleisten.
- FR Le stockage, l'installation, l'utilisation et la maintenance des produits doivent être effectués conformément aux instructions de ce manuel et / ou d'autres instructions que nous fournissons afin de garantir une utilisation sûre du produit pendant toute sa durée de vie. Le non-respect de ces instructions invalidera votre droit à la garantie. Les vis, dont les couples de serrage sont indiqués sur les schémas, doivent être serrés à l'aide d'une clé dynamométrique étalonnée. Les vis préassemblées doivent être resserrées à nouveau selon la spécification de couple de serrage requis afin d'assurer leur résistance maximale pendant toute leur durée de vie.
- IT Le stock, l'installazione, l'uso, il funzionamento e la manutenzione dei prodotti devono essere eseguiti esattamente in base alle istruzioni contenute nel presente manuale e / o in altra documentazione fornita da noi per garantire la sicurezza del prodotto per l'intera durata del suo utilizzo. La mancata osservanza di queste istruzioni annullerà la garanzia. I bulloni, con indicazione sull'intensità della coppia serraggio sul disegno devono essere serrati utilizzando una chiave dinamometrica calibrata. I bulloni pre-assemblati devono essere riserrati nuovamente secondo le specifiche di coppia richieste per assicurare la massima resistenza per tutta la durata.
- NL Om een veilig gebruik van dit product gedurende zijn hele levensduur te garanderen, dient het opslaan, installeren, gebruiken, bedienen en onderhouden ervan exact te worden uitgevoerd in overeenstemming met de instructies in deze handleiding en/of andere door ons geleverde instructies. Niet opvolgen van deze instructies maakt uw garantieaanspraken ongeldig. Bouten waarvan in de tekening het aanhaalkoppel is vermeld, dienen te worden vastgezet met behulp van een momentsleutel. Voorgeassembleerde bouten dienen opnieuw te worden aangehaald tot het vereiste koppel om maximale strekte gedurende de hele levensduur te waarborgen.
- DK Opbevaring, installation, brug, betjening og vedligeholdelse af produkterne må kun udføres ifølge instruktionerne i denne vejledning og/eller eventuelle øvrige instruktioner fra Signify for at garantere sikker brug af produktet i hele dets levetid. Hvis disse instruktioner ikke følges, bortfalder produktgarantien. Bolte/skruer med angivet spændingsmoment på tegningen skal spændes med en indstillet momentnøgle. Færdigsamlede bolte/skruer skal efterspændes i henhold til det specificerede moment for at sikre maksimal fastgørelse i hele produktets levetid.
- SE Förvaring, installation, användning, drift och underhall av produkterna måste utföras enligt instruktionerna i denna handbok och/eller andra instruktioner som kan tillhandahållas av oss för att garantera säker användning. Om instruktioner inte följs frångår man produktgarantin. Skruvar där vridmoment anges på ritningen måste dras åt med en kalibrerad skiftnyckel. Förmonterade skruvar måste dras åt igen med angivet vridmoment för att säkerställa högsta styrka under livslängden.
- NO Oppbevaring, montering, bruk, drift og vedlikehold av produktene må utføres nøyaktig i samsvar med instruksjonene i denne handboken og/eller andre instruksjoner vi måtte gi for å garantere sikker bruk av produktet i hele dets levetid. Hvis instruksjonene ikke følges, bortfaller garantien. Bolter med angivelse av dreiemoment på tegningen må strammes med en kalibrert momentnøkkel. Ferdigmonterte bolter må strammes på nytt til pakrevd dreiemoment for å sikre maksimal styrke i hele produktets levetid.
- FI Tuotteiden asennuksessa, käytössä ja huollossa on noudatettava tarkoin tässä käyttöoppaassa tai muissa toimittamissamme ohjemateriaaleissa annettuja ohjeita. Tämä varmistaa tuotteen turvallisen toiminnan koko sen käyttöajan ajan. Näiden ohjeiden noudattamatta jättäminen mitätöi kaikki oikeutesi takuukorvauksiin. Pultit, joille on asennusohjeessa ilmoitettu tietty kiristystiukkuus, on kiristettävä kalibroidulla momenttiavaimella. Esiasennetut pultit on kiristettävä ilmoitettuun kiristystiukkuuteen koko käyttöajan mittaisen kestävyuden varmistamiseksi.
- HU A terméknek tárolását, telepítését, használatát, üzemeltetését és karbantartását pontosan a jelen kézikönyvben és / vagy az általunk biztosított egyéb utasításoknak megfelelően kell elvégezni, hogy garantáljuk a termék biztonságos használatát az élettartama alatt. Ezen utasítások be nem tartása érvényteleníti a jótállási jogát. A rajzon a nyomaték-erősséggel jelzett csavarokat meg kell húzni egy kalibrált nyomatékkulccsal. Az előre összeszerelt csavarokat újra meg kell húzni a szükséges nyomaték specifikációhoz, hogy biztosítsák a maximális szilárdságot az élettartam során.
- PL Przechowywanie, instalacja, użytkowanie, obsługa i konserwacja produktów musi odbywać się ściśle według wytycznych zawartych w niniejszej instrukcji i / lub w innych instrukcjach, które dołączamy aby zagwarantować bezpieczne użytkowanie produktu przez cały okres eksploatacji. Nieprzestrzeganie tych instrukcji może spowodować utratę prawa do gwarancji. Śruby, przedstawione na rysunku wskazującym siłę momentu dokręcania, muszą być dokręcone za pomocą kalibrowanego klucza dynamometrycznego. Aby zapewnić maksymalną wytrzymałość w całym okresie użytkowania, wstępnie zamontowane śruby należy dokręcić zgodnie z wymaganą specyfikacją momentu dokręcenia.
- RO Depozitarea, instalarea, utilizarea, operarea și întreținerea produselor trebuie să fie efectuate exact în conformitate cu instrucțiunile din acest manual și/sau cu alte instrucțiuni care pot fi furnizate de noi pentru a garanta utilizarea în siguranță a produsului, pe întreaga durată de viașă a acestuia. Nerespectarea acestor instrucțiuni vă va anula dreptul la garanție. Șuruburile care au cuplul de strângere indicat pe desen, trebuie să fie strânse cu ajutorul unei chei dinamometrice calibrate. Șuruburile preasamblate trebuie să fie strânse din nou la specificația de cuplu cerută, pentru a asigura rezistența maximă pe întreaga durată de viașă.
- CZ Při uchovávaní, montáži, používání a údržbě produktů je třeba postupovat přesně podle pokynů v této příručce a dalších našich případných pokynů, které zajišťují bezpečné používání produktů po celou dobu jejich životnosti. Když tyto pokyny dodržovat nebudete, přijdete o záruku. Šrouby, které mají na výkresu uveden utahovací moment, je třeba utahovat zkalirovaným momentovým klíčem. Předem namontované šrouby je třeba dotáhnout požadovaným momentem, aby po dobu životnosti produktu držely na místě.

- TR Ürünlerin saklanması, kurulumu, kullanımı, çalıştırılması ve bakımı, ürünün kullanım ömrü boyunca güvenli kullanımının sağlanması amacıyla tam olarak bu kılavuzdaki ve / veya tarafımızdan sağlanan diğer talimatlara uygun biçimde gerçekleştirilmelidir. Söz konusu talimatlara uyulmaması, ürünle ilgili garanti hakkınızı geçersiz kılar. Teknik çizimde yanındaki sıklıkla torku değeri belirtilen civatalar kalibre edilmiş bir tork anahtar kullanılarak sıkılmalıdır. Önceden takılmış olarak gelen civataların da belirtilen tork değerine uygun biçimde yeniden sıkılması, kullanım ömrü boyunca maksimum dayanıklılığın sağlanması açısından önemlidir.
- BG Съхранението, инсталирането, употребата, експлоатацията и поддръжката на продуктите трябва да се извършват точно в съответствие с указанията в това ръководство и / или други инструкции, които могат да бъдат предоставени от нас, за да се гарантира безопасна употреба на продукта през целия му експлоатационен живот. Неспазването на тези указания ще обезсили Ващото право на гаранция. Болтовете с индикация за силата на въртящия момент на чертежа трябва да бъдат затегнати с помощта на калибриран гаечен ключ. Предварително сглобените болтове трябва да бъдат затегнати до изискваната спецификация на въртящия момент, за да осигурят максимална якост по време на експлоатационния живот.
- GR Η αποθήκευση, η εγκατάσταση, η χρήση, η λειτουργία και η συντήρηση των προϊόντων πρέπει να γίνεται ακριβώς σύμφωνα με τις οδηγίες του παρόντος εγχειριδίου ή / και τις άλλες οδηγίες που ενδεχομένως να παρασχεθούν, προκειμένου να είναι εγγυημένη η ασφαλής χρήση του προϊόντος για ολόκληρη τη διάρκεια ζωής του. Η μη εφαρμογή αυτών των οδηγιών θα ακυρώσει τα δικαιώματά σας στο πλαίσιο της εγγύησης. Οι βίδες με ένδειξη τιμής ροπής σύσφιξης στο σχέδιο θα πρέπει να σφίχονται με τη χρήση ενός βαθμονομημένου ροπακλειδού. Οι προ-συναρμολογημένες βίδες πρέπει να σφίχθούν και πάλι με την απαιτούμενη τιμή ροπής σύσφιξης, προκειμένου να διασφαλιστεί η μέγιστη ισχύς σε όλη τη διάρκεια ζωής.
- RU Чтобы гарантировать безопасное использование этого изделия на протяжении всего соответствующего срока службы, его хранение, установку, использование, эксплуатацию и обслуживание необходимо осуществлять в точном соответствии с приведенными в настоящем руководстве инструкциями и (или) иным инструкциями, которые могут быть предоставлены нами. Несоблюдение этих инструкций приведет к потере прав на гарантию. Болты, для которых на чертеже указан крутящий момент, необходимо затягивать калиброванным динамометрическим ключом. Для обеспечения максимальной прочности изделия в течение всего срока службы болты, завинченные в ходе предварительной сборки, необходимо подтянуть до указанного момента.
- SK Uskladnenie, inštalácia, používanie a údržba produktov je potrebné postupovať presne podľa pokynov v manuáli a/alebo iných nami poskytnutých pokynov, ktoré zaisťujú bezpečné používanie produktu počas celej doby životnosti. Nedodržaním týchto pokynov sa ruší záruka. Skrutky s naznačenou silou utiahnutia, musia byť uťahované kalibrovaným momentovým kľúčom. Vopred namontované skrutky musia byť znovu utiahnuté podľa požadovanej špecifikácie, aby komponenty držali na mieste počas celej životnosti.
- HR Pohranjivanje, instaliranje, uporaba, korištenje i održavanje proizvoda treba se vršiti točno u skladu s uputama u ovom priručniku i/ili s drugim uputama osiguranim s naše strane kako bi se jamčila sigurna uporaba proizvoda kroz cijeli radni vijek. Nepoštivanje ovih uputa poništava vaše pravo na jamstvo. Vijci s indiciranim momentom zatezanja na nacrtu trebaju biti učvršćeni korištenjem zateznog alata s kalibriranim momentom zatezanja. Također i već učvršćeni vijci trebaju biti dotezani do specificiranog zateznog momenta kako bi se osigurala učvršćenost tijekom cijelog radnog vijeka.
- LT Produktų saugojimas, montavimas, naudojimas, eksploatavimas ir priežiūra turi būti atlikti tiksliai pagal instrukcijas, pateiktas šiame vadove ir (arba) kitas instrukcijas, kurias mes galime pateikti, kad garantuotume saugų gaminio naudojimą per visą jo eksploatavimo laiką. Jei nesilaikysite šių instrukcijų nurodymų bei reikalavimų, jūsų teisė į garantiją bus panaikinta ir nebegalios. Varžtai, nurodantys sukimo momento stiprumą brėžinyje, turi būti užveržti naudojant kalibruotą sukimo momento veržliaraktį. Iš anksto sumontuotas varžtas reikia vėl priveržti iki reikiamo sukimo momento, kad būtų užtikrintas maksimalus tvirtumas per visą eksploatavimo laiką.
- LV Izstrādājumu uzglabāšana, uzstādīšana, lietošana un apkope jāveic precīzi saskaņā ar šajā rokasgrāmatā sniegtajām instrukcijām un / vai citām instrukcijām, kuras mēs varam piedāvāt, lai garantētu produkta drošu lietošanu visā tā darbības laikā. Neievērojot šos norādījumus, jūsu tiesības uz garantiju tiek anulētas. Bultskrūves ar norādi uz griezes stiprumu zīmējumos jābūt pieskrūvētām izmantojot kalibrētu griezes atslēgu. Iepriekš samontētās skrūves ir atkal jāpievelk līdz vajadzīgajai griezes specifikācijai, lai nodrošinātu maksimālu pieguli visā ekspluatācijas laikā.
- EE Toode ladustamine, paigaldamine, kasutamine, käitamine ja hooldus tuleb läbi viia täpselt vastavalt selle juhendi juhistele ja/või muudele meie poolt pakutavatele juhistele, et tagada toote ohutu kasutamine kogu selle toote elujärga jooksul. Nende juhiste mittejärgimine kaotab teie õiguse garantiile. Poldid, millel on joonisel toodud pöördemomendi tugevus, tuleb pingutada kalibreeritud pöördemomendi mutrivõtme abil. Eelnevalt kinnitatud poldid tuleb uuesti pingutada vastavalt nõutavale pöördemomendi spetsifikatsioonile, et tagada maksimaalne kinnituse tugevus kogu eluea jooksul.
- SI Skladiščenje, namestitve, uporaba, delovanje in vzdrževanje izdelkov mora biti natančno izvedeno v skladu z navodili v tem priročniku in / ali drugimi navodili za zagotovitev varne uporabe izdelka skozi celotno življenjsko dobo. V primeru neupoštevanja teh navodil, se lahko razveljavi pravica do garancije. Vijake, ki imajo označen navor, je potrebno zategniti s kalibriranim navornim ključem. Vijake, ki so že sestavljeni, je potrebno znova priviti v skladu z zahtevanim navorom, da je zagotovljena maksimalna moč skozi življenjsko dobo.
- GB This product contains a light source of energy efficiency class: see table or label.
- RO Acest produs contine o sursă de lumină cu clasa de eficiență energetică: a se vedea tabelul sau eticheta.
- ES Este producto contiene una fuente luminosa de la clase de eficiencia energética: ver tabla o etiqueta.
- CZ Tento výrobek obsahuje světelný zdroj s třídou energetické účinnosti: viz tabulka nebo štítek.
- PT Este produto contém uma fonte de luz da classe de eficiência energética: ver tabela ou rótulo.
- FI Tämä tuote sisältää valonlähteen, jonka energiatehokkuusluokka on: katso taulukko tai etiketti.
- DE Dieses Produkt enthält eine Lichtquelle der Energieeffizienzklasse: siehe Tabelle oder Etikett.
- SE This Denna produkt innehåller en ljuskälla med energieffektivitetsklass: se tabell eller etikett.
- FR Ce produit conti nt une source lumineuse de classe d'efficacité énergétique: voir tableau ou étiquette.
- HU Ez a termék egy energiahatekonysági osztályú fényforrást tartalmaz: lásd a táblázatot vagy a címkét.
- IT Questo prodotto contiene una sorgente luminosa di classe di efficienza energetica: vedere tabella o etichetta.
- SK Tento výrobok obsahuje svetelný zdroj triedy energetickei účinnosti: pozri tabuľku alebo štítok.
- NL Dit product bevat een lichtbron van energie-efficiëntieklasse: zie tabel of label.
- HR Ovaj proizvod sadržava izvor svjetlosti klase nemetske učinkovitosti: vidi tablicu ili naljepnicu.
- DK Dette produkt indeholder en lyskilde i energieffektivitetsklasse: se tabel eller etiket.
- LV Šis ražojums satur gaismas avotu, kura energoefektivitātes klase ir: skatīt tabulu vai etiķeti.
- LT Šiame gaminyje yra šviesos šaltinis, kurio energijos vartojimo efektyvumo klasė: žr. lentelę arba etiketę.
- EE Toode sisaldab energiatõhususe klassi valgusallikat: vt tabelit või etiketti.
- GR Το προϊόν αυτό περιέχει φωτεινή πηγή της τάξης ενεργειακής απόδοσης: βλέπε πίνακα ή ετικέτα.
- BG Този продукт включва светлинен източник с клас на енергийна ефективност: вижте таблицата или етикета.
- PL Ten produkt zawiera źródło światła o klasie efektywności energetycznej: patrz tabela lub etykieta.
- SI Ta izdelek vsebuje svetlobni vir razreda energijske učinkovitosti: glej tabelo ali nalepko.

- GB** Please inform yourself about the local waste disposal, separation and collection system for electrical and electronic products and packaging. Please act according to your local rules and do not dispose your old product and packaging with your normal household waste. The correct disposal of the packaging, your product and/or batteries will help prevent potential negative consequences for the environment and human health. Batteries should be disposed separately from the municipal waste stream via designated collection facilities. When disposing a product that contains non-user replaceable batteries, the non-user replaceable batteries shall be removed by a professional.
- ES** Infórmese sobre el sistema local de eliminación, separación y recogida de residuos de productos y envases eléctricos y electrónicos. Actúe de acuerdo con las normas locales y no tire el producto antiguo y su embalaje a la basura doméstica normal. La eliminación correcta del embalaje, de su producto y/o de las pilas contribuirá a evitar posibles consecuencias negativas para el medio ambiente y la salud humana. Las pilas deben eliminarse por separado del flujo de residuos municipales en las instalaciones de recogida designadas. Cuando deseche un producto que contenga pilas no sustituibles por el usuario, un profesional deberá retirar las pilas no sustituibles por el usuario.
- PT** Informe-se sobre o sistema local de eliminação, separação e recolha de resíduos de embalagens e produtos elétricos e eletrônicos. Proceda em conformidade com as regras locais e não elimine a produto antigo e a respetiva embalagem juntamente com os resíduos domésticos normais. A eliminação correta da embalagem, do seu produto e/ou das pilhas ajudará a prevenir potenciais consequências negativas para o ambiente e para a saúde humana. As pilhas devem ser eliminadas em separado do fluxo de resíduos urbanos através das instalações de recolha designadas. Quando se elimina um produto que contém pilhas não substituíveis pelo utilizador, estas devem ser removidas por um profissional.
- DE** Bitte erkundige Dich nach dem örtlichen Entsorgungs-, Trenn- und Sammelsystem für elektrische und elektronische Produkte und Verpackungen. Richte Dich bitte nach den geltenden Vorschriften in Deinem Land und entsorge Deine Altgeräte nicht über Deinen Haushaltsabfall. Durch die korrekte Entsorgung der Verpackung, Deines Produkts und/oder der Batterien/Akkus werden Umwelt und Menschen vor möglichen negativen Folgen geschützt. Batterien/Akkus müssen separat vom städtischen Abfallsystem über dafür vorgesehene Sammelstellen entsorgt werden. Bei der Entsorgung eines Produkts, das nicht vom Benutzer austauschbare Batterien/Akkus enthält, sollten die nicht vom Benutzer austauschbaren Batterien/Akkus von einer fachkundigen Person entfernt werden. Weitere Informationen über die Entsorgung Ihres Produktes und der Batterien finden Sie unter www.signify.com/de-de/sustainability.
- FR** Veuillez vous informer sur le système de collecte local, et sur la procédure de tri et de collecte des produits électriques et électroniques, et des emballages. Veuillez vous conformer aux consignes locales, et ne jetez pas votre ancien produit et son emballage avec les ordures ménagères. En respectant ces consignes pour mettre au rebut l'emballage, le produit et/ou les piles, vous contribuez à respecter l'environnement et la santé des personnes. Les piles ne doivent pas être mêlées aux ordures ordinaires, mais jetées sur des sites séparés prévus à cet effet. Lorsque vous mettez au rebut un produit contenant des piles non remplaçables, celles-ci doivent être retirées par un professionnel.
- IT** Si prega di informarsi sul sistema locale di smaltimento, separazione e raccolta dei rifiuti per prodotti elettrici ed elettronici e imballaggi. Si prega di agire secondo le regole locali e di non smaltire il vecchio prodotto e l'imballaggio con i normali rifiuti domestici. Il corretto smaltimento dell'imballaggio, del prodotto e/o delle batterie aiuterà a prevenire potenziali conseguenze negative per l'ambiente e la salute umana. Le batterie dovrebbero essere smaltite separatamente dal flusso di rifiuti urbani tramite strutture di raccolta designate. Quando si smaltisce un prodotto che contiene batterie non sostituibili dall'utente, le batterie non sostituibili dall'utente devono essere rimosse da un professionista.
- NL** Houd rekening met het lokale systeem voor afvalscheiding en -inzameling wanneer u elektrische en elektronische producten of verpakkingen weggooit. Neem de lokale regelgeving in acht en gooi je oude producten en verpakkingen niet weg met het normale huishoudelijke afval. Het correct wegwerpen van de verpakking, het product en/of batterijen helpt mogelijke negatieve gevolgen voor het milieu en de menselijke gezondheid te voorkomen. Batterijen moeten gescheiden van huishoudelijke afvalstromen worden ingeleverd bij speciale inzamelpunten. Wanneer je een product weggooit met batterijen die niet door de gebruiker kunnen worden vervangen, moeten die batterijen door een professional worden verwijderd.
- RO** Informați-vă cu privire la sistemul local de colectare, separare și eliminare a deșeurilor pentru produsele electrice și electronice și ambalajele acestora. Acționați în conformitate cu regulile locale și nu eliminați produsele vechi și ambalajele împreună cu deșeurile menajere obișnuite. Eliminarea corespunzătoare a ambalajelor, a produsului și/sau a bateriilor va ajuta la prevenirea consecințelor potențiale negative pentru mediu și sănătatea umană. Bateriile trebuie eliminate separat de sistemul municipal de gestionare a deșeurilor prin intermediul unităților de colectare desemnate. Atunci când eliminați un produs care conține baterii ce nu pot fi înlocuite de utilizator, aceste baterii trebuie îndepărtate de către un specialist.
- FI** Ota selvää paikallisesta sähkö- ja elektroniikkatuotteiden sekä pakkausten hävitys-, erottelu- ja keräysjärjestelmästä, Noudata paikallisia määräyksiä, äläkä hävitä vanhoja tuotteita ja pakkauksia tavallisen kotitalousjätteen mukana. Pakkauksen, tuotteen ja/tai paristojen asianmukainen hävittäminen auttaa ehkäisemään mahdollisia haittoja ympäristölle ja ihmisten terveydelle. Paristot on hävitettävä yhdyskuntajätteestä erillään määritettyjen keräyspisteiden kautta. Muita kuin käyttäjän vaihdettavissa olevia paristoja sisältäviä tuotteita hävitettäessä muiden kuin käyttäjän vaihdettavissa olevien paristojen poistaminen on jätettävä ammattilaisen tehtäväksi.
- RU** С информацией о местных системах раздельного сбора и утилизации таких отходов, как электрическое и электронное оборудование, а также упаковка, рекомендуется ознакомиться самостоятельно. Соблюдайте региональные нормативные требования и не выбрасывайте отслужившее изделие вместе с обычным бытовым мусором. Правильная утилизация отслужившего изделия и/или батарей поможет уменьшить негативные последствия для окружающей среды и здоровья людей. Батареи следует утилизировать отдельно от бытовых отходов через специальные пункты сбора. Если изделие оснащено батареями, не предназначенными для самостоятельной замены, их должен извлечь специалист.
- HR** Informirajte se o lokalnom sustavu za odlaganje, odvajanje i prikupljanje električnih i elektroničkih proizvoda i ambala. Postupajte u skladu s lokalnim propisima i ne odlađte stare proizvode i ambala e s uobičajenim kućanskim otpadom. Ispravno odlaganje ambala e, proizvoda i/ili baterija pomoći će u sprječavanju mogućih negativnih posljedica za okoliš i zdravlje ljudi. Baterije je potrebno odlagati odvojeno od komunalnog otpada na za to predviđeni odlagalištima. Kada odlađete proizvod koji sadrži baterije koje korisnik ne mo e samostalno zamijeniti, te će baterije ukloniti stručnjak.
- GR** Ενημερωθείτε για το τοπικό σύστημα διάθεσης, διαχωρισμού και συλλογής αποβλήτων για ηλεκτρικά και ηλεκτρονικά προϊόντα και συσκευασίες. Ενεργείτε σύμφωνα με τους τοπικούς σας κανόνες και μην απορρίπτετε το παλιό σας προϊόν και τη συσκευασία του μαζί με τα συνήθη οικιακά απορρίμματα. Η σωστή απόρριψη της συσκευασίας, του προϊόντος σας ή/και των μπαταριών θα συμβάλει στην αποφυγή πιθανών αρνητικών συνεπειών για το περιβάλλον και την ανθρώπινη υγεία. Οι μπαταρίες θα πρέπει να απορρίπτονται χωριστά από το ρεύμα των αστικών απορριμμάτων μέσω των καθορισμένων εγκαταστάσεων συλλογής. Κατά την απόρριψη ενός προϊόντος που περιέχει μπαταρίες που δεν αντικαθίστανται από τον χρήστη, αυτές πρέπει να αφαιρούνται από επαγγελματία.
- TR** Lütfen elektrikli ve elektronik ürünler ve ambalajları için yerel atık atma, ayırma ve toplama sistemleri hakkında bilgi edinin. Lütfen bulduğunuz bölgedeki yerel kurallara uygun hareket edin ve eski ürün ve ambalajınızı normal ev atıklarınızla birlikte atmayın. Ambalajın, ürününüzün ve/veya pillerin doğru şekilde atılması çevre ve insan sağlığı için olası olumsuz sonuçların önlenmesine yardımcı olur. Pillerin özel toplama tesisleri aracılığıyla belediye atık kolundan ayrı bir şekilde atılması gerekir. Kullanıcı tarafından değiştirilemeyen pil bulunan bir ürünü atarken pilin bir profesyonel tarafından çıkarılması gerekir.
- BG** Моля, запознайте се с местната система за изхвърляне, разделяне и събиране на отпадъци от електрически и електронни продукти и опаковки. Моля, действайте в съответствие с местните правила и не изхвърляйте стария продукт и опаковката заедно с обикновените битови отпадъци. Правилното изхвърляне на опаковката, на Вашия продукт и/или батерии ще помогне да се предотвратят потенциални негативни последици за околната среда и човешкото здраве. Батериите трябва да се изхвърлят отделно от потока на битовите отпадъци чрез определените за целта събирателни пунктове. При изхвърляне на продукт, който съдържа батерии, които не могат да се заменят от потребителя, същите трябва да бъдат отстранени от специалист.

- DK Hold dig orienteret om den lokale affaldsordning, -sortering og -indsamling for elektriske og elektroniske produkter og emballage. Følg de lokale regler, og bortskaft ikke dine udtjente produkter og emballage sammen med almindeligt husholdningsaffald. Korrekt bortskaftelse af emballagen, produktet og/eller batterier er med til at forhindre negative konsekvenser for miljøet og menneskers sundhed. Batterier skal bortskaftes separat fra den kommunale affaldsstrøm via særskilte indsamlingsordninger. Ved bortskaftelse af et produkt, der indeholder batterier, der ikke kan udskiftes af brugeren, skal batterierne fjernes af en fagperson.
- SE Se till att skaffa dig kunskap om de lokala systemen för bortskaftande, sortering och insamling av avfall gällande elektriska och elektroniska produkter och förpackningar. Agera i enlighet med lokala regler och släng inte bort din gamla produkt och förpackning tillsammans med vanligt hushållsavfall. Korrekt bortskaftande av förpackningen, din produkt och/eller batterier hjälper till att förebygga potentiella negativa konsekvenser för miljön och för människors hälsa. Batterier ska slängas separat från det kommunala avfallsflödet via särskilda insamlingsanläggningar. När du slänger en produkt som innehåller batterier som inte kan bytas ut av användaren ska de batterier som inte kan bytas ut av användaren avlägsnas av en yrkesperson.
- NO Vennligst informer deg selv om det lokale avfallshåndterings-, separerings- og innsamlingsssystemet for elektriske og elektroniske produkter og emballasje. Opptr i henhold til lokale regler og ikke kast det gamle produktet og emballasjen sammen med vanlig husholdningsavfall. Riktig avhending av emballasjen, produktet og/eller batteriene vil bidra til å forhindre potensielle skadelige følger for miljøet og personers helse. Batterier bør avhendes separat fra kommunalt avfall via anvisete innsamlingssteder. Ved kassering av et produkt som inneholder batterier som ikke kan skiftes ut av brukeren, skal batteriene som ikke kan byttes av bruker fjernes av en fagperson.
- CZ Informujte se o místním systému likvidace a tříděního sběru elektrick ch a elektronick ch v robku ů a balení. Postupujte v souladu s místními předpisy a nevyhazujte staré v robky do b ě něho komunálního odpadu. Správná likvidace produktů a baterií přispívá k ochraně případn ch ne ādoucích vliv ů na ěivotní prost ědí a zdraví osob. Baterie je třeba zlikvidovat samostatně mimo veřejné sklādky prostřednictvím specializovan ch sb ěrn ch míst. P ů ě likvidaci v robku obsahujících baterie, které nejsou u ěvatelsky vym ěnitelné, musí u ěvatelsky nevm ěnitelné baterie vyjmout odborník.
- HU ěrdeklődőn az elhasznált elektromos és elektronikus termékek és csomagolásuk helyi szelektív gyűjtésérőł és ártalmatlanításáról. Kövesse a helyi szabályozást, és ne helyezze az elhasználotott terméket háztartási hulladék-gyűjtőbe. A csomagolás, valamint az elhasználotott termék és/vagy akkumulátorok megfelelı őrtalmatlanítása segít megelőzni a környezet és emberi egészség károsodását. Az akkumulátorokat külön, a helyi önkormányzat által megjelölt helyen kell gyűjtetni, és nem szabad a háztartási hulladék közé keverni őket. A nem cserélhető akkumulátorokat tartalmazó termékek őrtalmatlanításakor a nem cserélhető akkumulátorokat szakembernek kell eltávolítania.
- PL Należy we własnym zakresie sprawdzić informacje o lokalnych placówkach odbierających zużyte produkty elektryczne i elektroniczne oraz opakowania po nich. Należy bezwzględnie przestrzegać lokalnych przepisów zakazujących wyrzucania urządzeń i opakowań razem z odpadami komunalnymi. Właściwe usunięcie zużytego opakowania, produktu i/lub baterii pomoże uniknąć potencjalnych szkodliwych skutków dla środowiska naturalnego i zdrowia ludzi. Baterii nie wolno wyrzucać wraz z odpadami komunalnymi. Należy je zanoić do wyznaczonych punktów zbiórki. W przypadku utylizacji produktu zawierającego baterie niepodlegające wymianie przez użytkownika, powinny one zostać usunięte przez specjalistę.
- SK Zistite si informácie o miestnej likvidácii odpadu, systéme separovaného zberu elektrick ch a elektronick ch v robkov a obalov. Postupujte v súlade s miestnymi predpismi a nevyhadzujte staré v robky do be něho komunálneho odpadu. Správna likvidácia produktov a baterií prispieva k zabráneniu prípadn m ne iaducim vplyvom na ěivotné prostredie a zdravie osőb. Batérie treba zlikvidovať samostatne mimo verejnej sklādky prostredníctvom špecializovan ch zbern ch miest. Pri likvidácii v robku obsahujúceho batérie, ktoré nemő ě vybera ů pou ěvate Ľ, musí v ber nevyneíta Ľn ch batérii vykona ů odborn ě technik.
- LT Susipa inkite su vietine elektros ir elektronini ū gaminių bei pakuočių atliekų šalinimo, rūšiavimo ir surinkimo sistema. Laikykitės vietinių taisyklių ir neišmeskite seno gaminio bei pakuotės kartu su įprastomis buitinėmis atliekomis. Tinkamas pakuotės, gaminio ir (arba) baterijų išmetimas padės išvengti galimų neigiamų pasekmių aplinkai ir mōni ū sveikatai. Baterijos turi būti išmestos atskirai nuo komunalinių atliekų srauto tam skirtais surinkimo įrenginiais. Išmetant gaminį, kuriame yra naudotojo nekeičiamų baterijų, naudotojų nekeičiamas baterijas turi išimti profesionalas.
- LV Lūdzu, iepazīstieties ar informāciju par vietējo atkritumu likvidēšanas, nošķiršanas un savākšanas sistēmu elektriskām un elektroniskām precēm un iepakojumiem. Rīkojieties atbilstoši vietējiem noteikumiem un nelikvidējiet nolietotos izstrādājumus un iepakojumus kopā ar parastajiem sadzīves atkritumiem. Izstrādājuma un/vai bateriju pareiza likvidēšana palīdzēs novērst iespējamu nelabvēlīgu ietekmi uz vidi un cilvēku veselību. Baterijas jālikvidē atsevišķi no pašvaldību atkritumu plūsmas ar šim nolūkam īpaši paredzētu savākšanas uzņēmumu starpniecību. Likvidējot produktu, kas satur baterijas, kuras lietotājs nevar nomainīt, profesionālim ir jāizņem šīs baterijas.
- EE Viige ennast kurssi kohaliku elektri- ja elektroonikatoodete ning pakendite kasutusest kõrvaldamise, sorteerimise ja kogumise süsteemiga. Järgige kohalikke eeskirju järgi ning ärge visake vana toode ega pakendeid olmejäätmete hulka. Pakendi ja vana toote ja/või akude nouetekohane kasutusest kõrvaldamine aitab vältida võimalikku negatiivset mõju keskkonnale ja inimeste tervisele. Akud tuleb kasutusest kõrvaldada olmejäätmetest eraldi ning viia selleks ette nähtud kogumiskohta. Kui kõrvaldate kasutusest toote, mis sisaldab akusid, mida kasutaja ei saa vahetada, peab need akud tootest eemaldama kvalifitseeritud spetsialist.
- SI Seznanite se z lokalnim sistemom odstranjevanja, ločevanja in zbiranja električne in elektronske opreme ter embala e. Upoštevaite lokalno zakonodajo ter starega izdelka in embala e ne odlo ěte med obi čajne gospodinske odpadke. S pravilnim odlaganjem embala e, izdelka in/ali baterij med odpadke boste preprečili morebitne negativne posledice na okolje in zdravje ljudi. Baterij ne smete odlo ěti med gospodinske odpadke, temveč na namenskih zbirnih mestih. Če odlagate izdelek, ki vsebuje baterije, ki jih uporabnik ne more zamenjati sam, bo takšne baterije odstranila strokovna oseba.