

DDNP1501

Network Power Supply

Supplements DyNet network DC supply

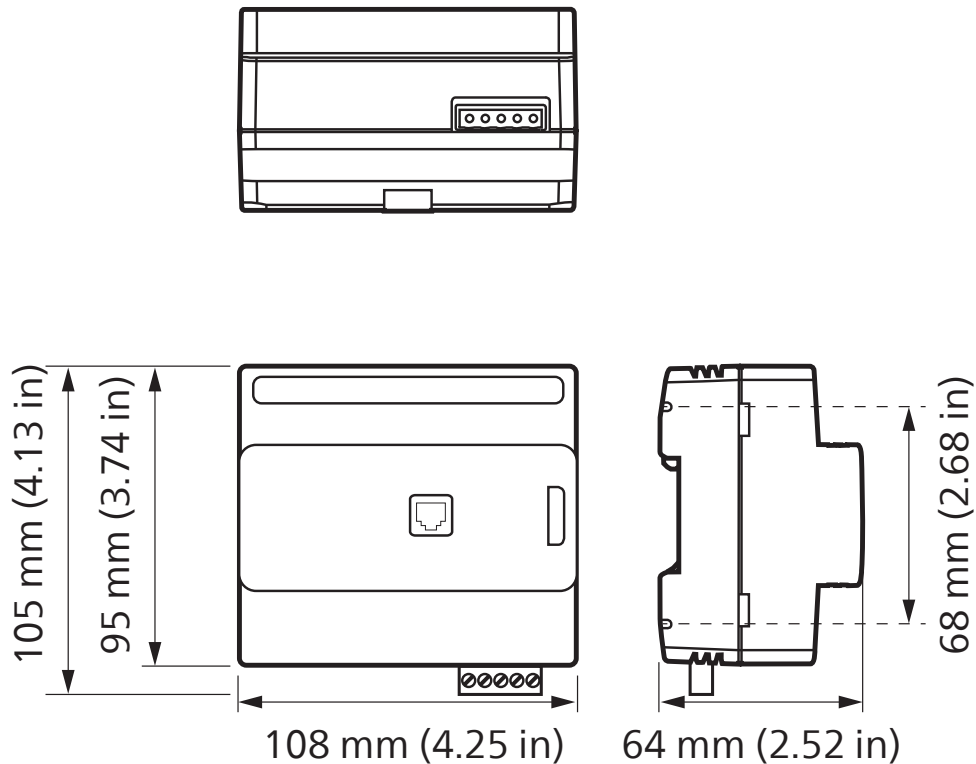
The Philips DYNALITE DDNP1501 is a 15 VDC 1.5 A regulated power supply that supplements the DyNet network DC supply and provides a convenient RJ12 port for commissioning the DYNALITE system.

DDNP1501

Supplements DyNet network DC supply

- **No manual selection required** – The switch-mode design allows the device to be used with a range of input voltages.
- **Used when high-consumption devices are employed** – The DyNet network is self-powered via built-in DC supplies integrated within all mains-powered devices. Use of high-consumption devices, such as edge-lit touchscreens, can necessitate a requirement for additional power.
- **Flexible mounting solution** – A DIN-rail mountable device, with a circuit breaker profile designed to be installed into all types of distribution board enclosures, including those with cover apertures specifically designed for circuit breakers.
- **Front-facing RJ12 port** – Provides a convenient connection point to the DyNet RS-485 bus for commissioning engineers using a laptop and PC node.

Dimensions



Specifications

Due to continuous improvements and innovations, specifications may change without notice.



DDNP1501
Network Power Supply

Electrical

Supply Type	Single-Phase
Supply Voltage	110-277 VAC
Supply Current	0.5 A
Output Voltage	15 VDC
Output Current	1.5 A (screw terminal) 0.1 A (RJ12 port)
Protection	Self-resetting overload protection Short circuit protection Automatic thermal shutdown
IEC Overvoltage Category	III

Control

Communication Ports	1 x RS-485
Supported Protocols	DyNet
Indicators	1 x power LED

Physical

Dimensions (H x W x D)	95 x 108 x 64 mm (3.74 x 4.25 x 2.52 in)
Packed Weight	0.2 kg (0.44 lb)
Construction	Polycarbonate DIN-rail enclosure (6 unit)
Communication Ports	1 x RJ12 1 x 5-way pluggable screw terminal (SHLD, GND, D+, D-, +15V)
Supply Terminals	3 x screw terminal Line, Neutral, Earth
Supply Terminal Conductor Size	≤ 5 mm ² (10+ AWG)
Pluggable Screw Terminal Conductor Size	0.3-2.5 mm ² (22-12 AWG)

Environment*

Operating Temperature	0° to 50°C ambient (32° to 122°F)
Storage/Transport Temperature	-25° to 60°C ambient (-13° to 140°F)
Humidity	0 to 90% non-condensing
IEC Pollution Degree	II

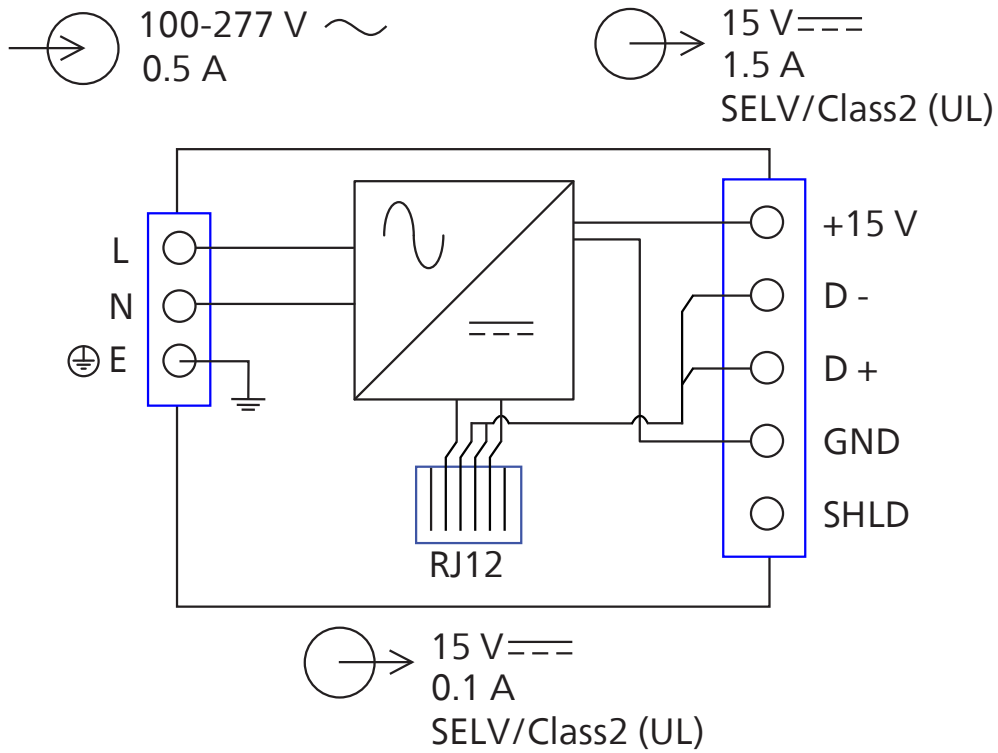
Compliance

Certification	CE, RCM, UL/cUL, FCC, UKCA, RoHS
---------------	----------------------------------

* For indoor installation only



Electrical



Ordering Code

Product

DDNP1501

Philips 12NC

913703130509

© 2025 Signify Holding.

All rights reserved. Specifications are subject to change without notice. No representation or warranty as to the accuracy or completeness of the information included herein is given and any liability for any action in reliance thereon is disclaimed. Philips and the Philips Shield Emblem are registered trademarks of Koninklijke Philips N.V. All other trademarks are owned by Signify Holding or their respective owners.



www.dynalite.com

Revision 07 – 2025-04-08