



Chloride Compac exit CLX is designed to complement the Compac exit/emergency family in looks and reliability. Its sleek unobtrusive design provides general wayfinding through a building in addition to times of immediate egress in an emergency. This unit comes standard with self-diagnostic/self-test features to assure that they are ready at any time.

Project: _____
 Location: _____
 Cat.No: _____
 Type: _____
 Lamps: _____ Qty: _____
 Notes: _____

Ordering guide

Example: CLXNRW

Series	Battery	Color	Color
CLX			
CLX Compac LED multi-purpose exit sign	A AC only N Nickel Metal Hydride battery	RW Red letters on white housing GW Green letters on white housing	4R ¹ Remote capability

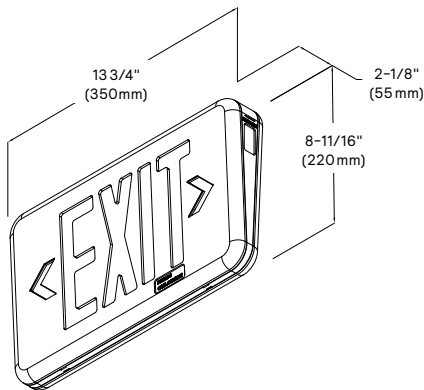
1. CLX feeds 4 CLR single or two CLR dual LED remote lamp heads.

Accessories (order separately)

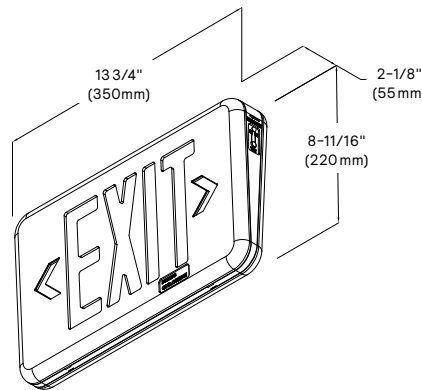
- **WG5** - Wire guard (for CLX exit signs mounted flat against the wall)
- **VEPMC** - Pendant mount canopy, white
- **CXPA12W** - Pendant Assembly, rigid canopy, 12" white stem (requires VEPMC)

Dimensions

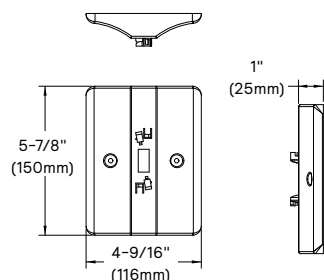
CLXA (A/C only)



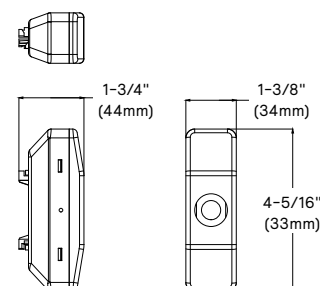
CLXN (Battery back-up)



Canopy mount



Pendant Mount Canopy



CLX Compac Exit Sign

Exit and Emergency

Specifications

Codes and standards

- ETL listed to Standard 924
- NFPA 70 (National Electric Code)
- NFPA 101 (Life Safety Code)
- DOE compliant
- ETL listed for damp location

Construction

- White and black housing only
- Low profile, snap-together quick mount design
- UL 94 V-0.5VA Flame rated, UV stable thermoplastic housing

Installation

- Universal wall/ceiling/end mounting.
- Canopy not required for flat wall mount (electronics contained inside housing).
- Pop-out chevron directional indicators are easily removed when required
- Exit sign mounts to a standard single gang boxes, 3" j-boxes and 4" j-boxes (canopy provided)
- All exits signs are provided with an extra stencil face plate for double face sign applications

Electronics

- 120/277 VAC selectable input.
- **CLXA** Exits (AC only)
Green: 120V = .016A / 277V = .013A; Red: 120V = .012A / 277V = .011A
- **CLXN** (Emergency)
Green: 120V = .032A / 277V = .028A; Red: 120V = .032A / 277V = .028A
- **CLXA** (2 Circuit)
Green: 120V = .015A / 277V = .013A; Red: 120V = .012A / 277V = .011A
- **CLXN-4R** (Remote)
Green: 120V = .074A / 277V = .049A; Red: 120V = .075A / 277V = .049A
- Surge protection, low voltage disconnect, AC lockout installation, brown out protection, and trickle charger.

Lamps

- Bright red or green energy efficient LED lamps. Uniform 6" letter illumination (3/4" stroke)

Battery

- CLXN Exits contain a 3.6V maintenance free Nickel Metal Hydride battery and the 4R Remote contains two 7.2V batteries. Batteries have an approximated service life of 6 to 8 years at a operating temperature range of 10°C to 40°C (50°F to 104°F).
- Provides 90 minutes of emergency illumination

Remote Capability

- CCLXN exit signs with a 4R suffix are remote capable. These signs can feed four CLR single remote LED lamp heads or two CLR dual remote LED lamp heads. The CLR remote LED lamp heads are compatible with Compac LED products with remote capability.

Warranty

- Five year full warranty on unit

Self-diagnostics/Self-test

The CLX exit signs contain self-diagnostic/self-test electronics as a standard feature. An automatic self-test is performed every month for 3 minutes, and a 30 minute self-test every six months. A manual test may also be performed at anytime by pressing the manual test button.

Manual testing

Test button	Length of test
1 press	30 seconds
2 presses	3 minutes
3 presses	30 minutes
4 presses	90 minutes

Self-Diagnostic Red status indicator

Indicator	Status
One blink	Battery is not connected
Two blinks	Battery voltage has dropped below acceptable value
Three blinks	Charger board circuit fault
Four blinks	Transfer fault
Five blinks	Lamp fault
Six blinks	Remote lamp head fault
Seven blinks	EXIT Led strip fault

Operation

Press the test button and the EXIT legend will remain lit and the LED indicator will turn off. Release the test button and the LED indicator will turn on and the EXIT legend will remain lit.

The Self-diagnostic/self-test electronics meets the requirements of the National Electric Code and/or the National Fire Protection Association.