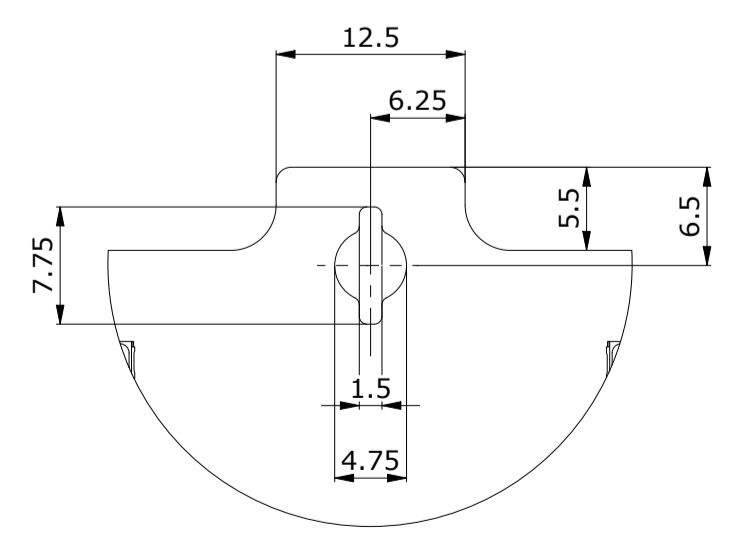
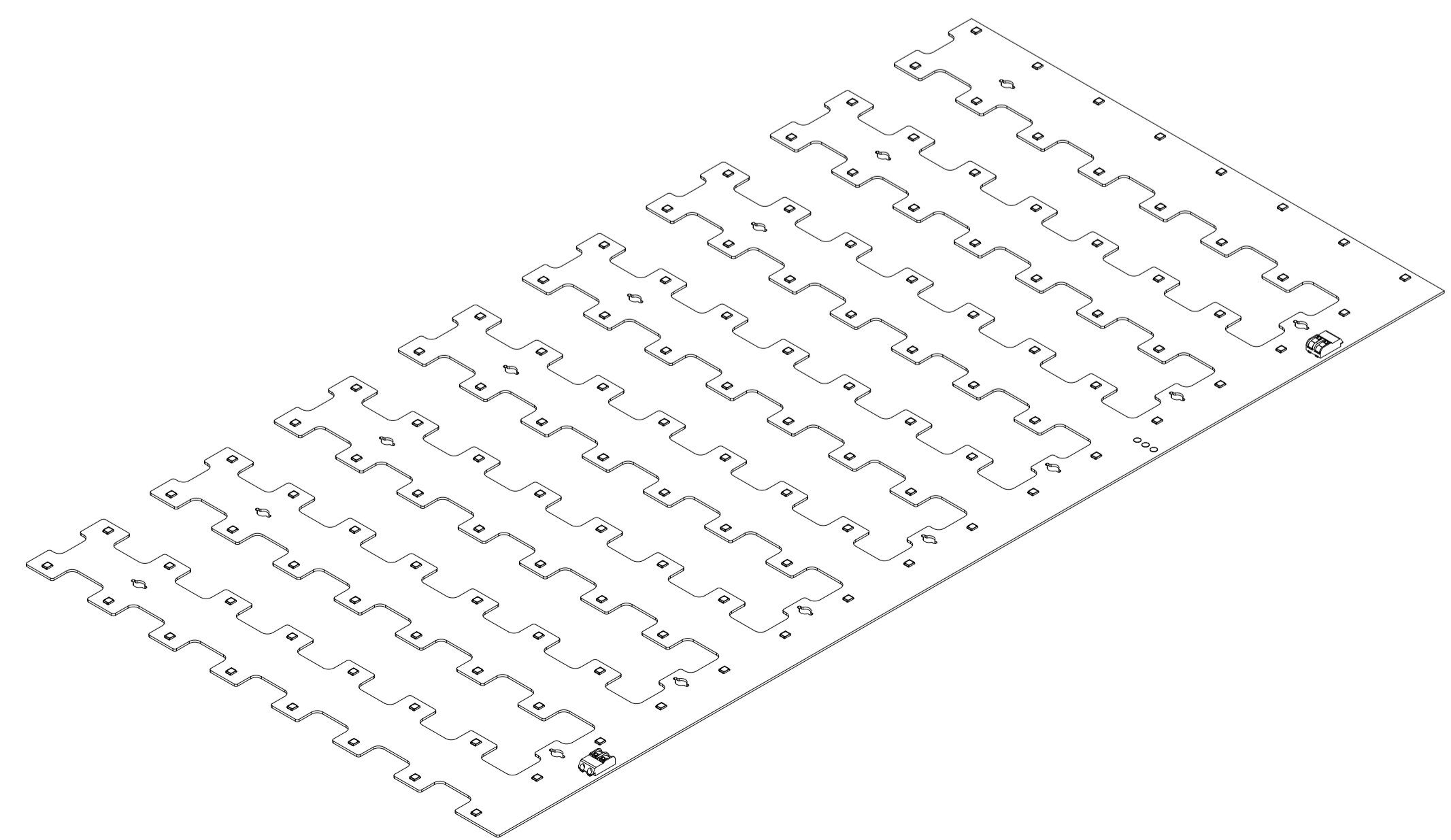
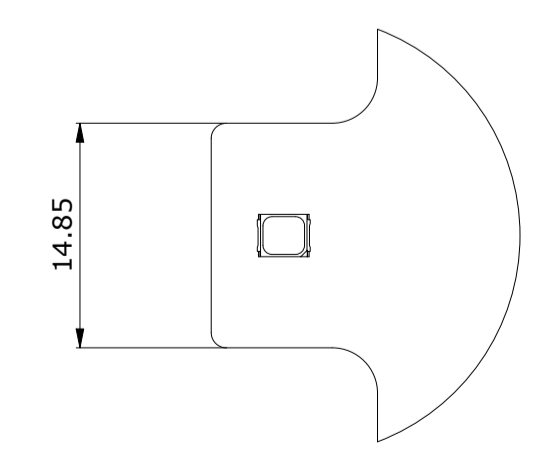


C (2 : 1)



LED Dimensions  
D (2 : 1)



UN - D1041		TOLERANCES UNLESS OTHERWISE STATED			
GENERAL	UNIT	MATERIAL	DIMENSION ±0.5	ANGLE ±1°	
ROUGHN.	mm				ASSEMBLY NO. / ITEM
SCALE	1st Angle PROJ	TREATMENT			PATTERN NO.
1:1					ORDER NO. / QUANT.
CLASS NO.	Fortimo LED Square-DS SMF HV/LV4			9290 039 93600	2024-08-19
NAME S.Puchala	SUPERS.	1	SH,SH.	112	1
DATA FMT.	PROGR.	Inventor 2024	PLATF.	10	123420   A1
CAD	CHECK	DATE 19/08/2024	© 2018 Signify Holding		