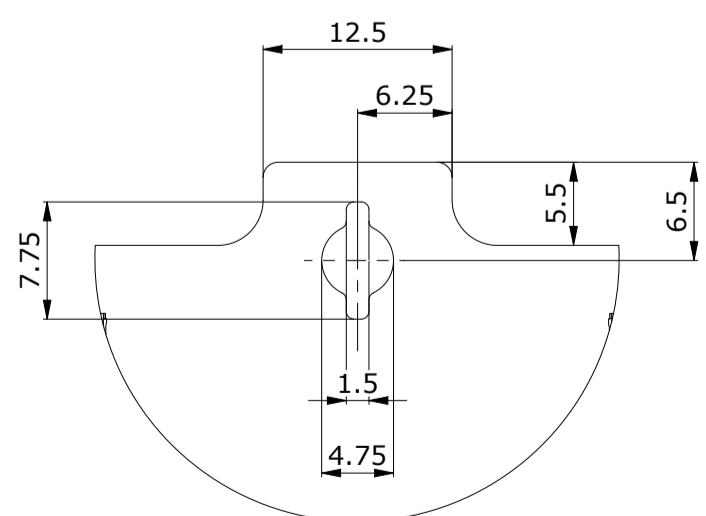
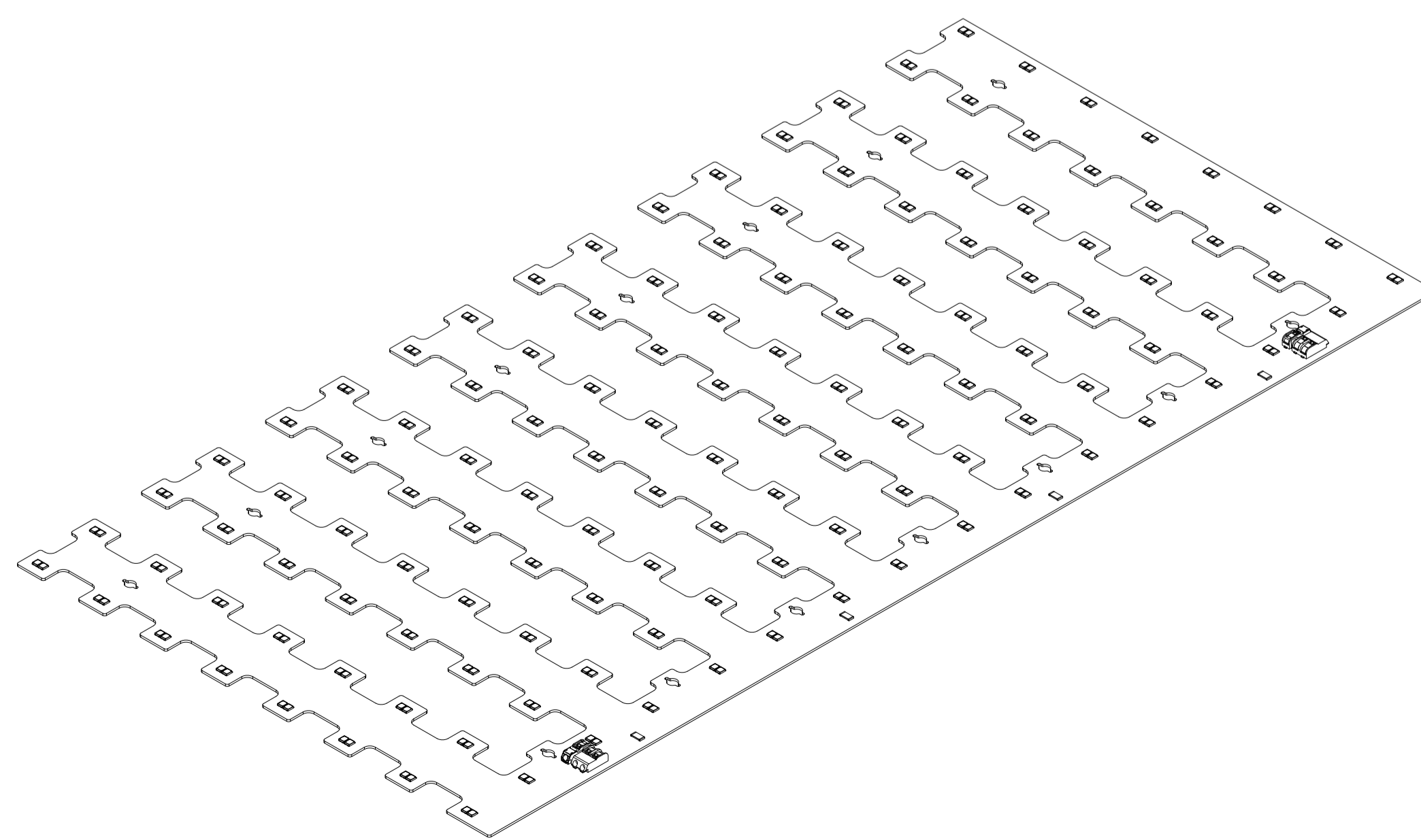
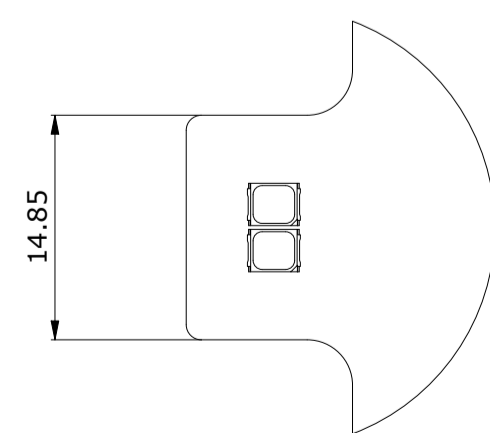


C (2 : 1)



LED Dimensions
D (2 : 1)



PRELIMINARY

- Notes:
- Detailed stepfile available.
- Position tolerance of LED's: ± 0.5 mm. in X and Y direction.
- Position tolerance of connectors: ± 0.6 mm. in X and Y direction.
- Position tolerance of other electronic parts: ± 0.5 mm. in X and Y direction.

UN - D1041		TOLERANCES UNLESS OTHERWISE STATED			
		DIMENSION ± 0.5		ANGLE $\pm 1^\circ$	
GENERAL ROUGHN.	UNIT	MATERIAL	ASSEMBLY NO.	ITEM	
	mm		PATTERN NO.		
SCALE	1st Angle PROJ	TREATMENT	ORDER NO.	QUANT.	
1:1					
CLASS NO.	Fortimo LED Square-DS SMF 927-965 HV4			9290 039 94300	
				2024-08-19	
				2024-09-02	
NAME S.Puchala	SUPERS.	1 SH,SH.	112	1	10
DATA FMT.	PROGR. Inventor 2022	PLATF.			
CAD	CHECK	DATE 19/08/2024	© 2018 Signify Holding		