



by Signify

Architectural Recessed

BloomBox

442296367151



CAUTION: THE INSTALLATION AND SERVICING OF THIS PRODUCT SHOULD BE PERFORMED BY A QUALIFIED ELECTRICIAN OR SERVICE PERSONNEL.

ATTENTION: INSTALL IN ACORDANCE WITH NATIONAL AND LOCAL BUILDING AND ELECTRICAL CODES



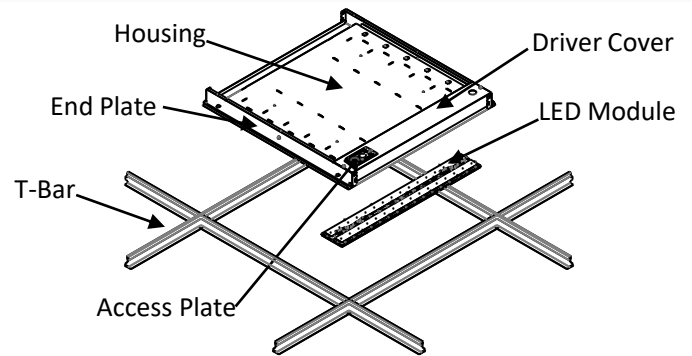
NOTE: This equipment has been tested and found to comply with the limits for a Class A digital device, pursuant to Part 15 of the FCC Rules. These limits are designed to provide reasonable protection against harmful interference when the equipment is operated in a commercial environment. This equipment generates, uses, and can radiate radio frequency energy and, if not installed and used in accordance with the instruction manual, many cause harmful interference to radio communications. Operation of this equipment in a residential area is likely to cause harmful interference in which case the user will be required to correct the interference at his own expense.

CAN ICES-005 (A) / NMB-005 (A)

Tools / accessories needed (not included):

- (1) Cordless drill/driver
- (1) 1/4 hex bit for cordless drill/driver (recommended to use a magnetic bit)
- (1) Flat screwdriver
- (1) Electrical wire stripper/cutter

Note: When handling the luminaire do not push or pull the luminaire from the LED modules as they can be damaged. Grab the luminaire with both hands by the endplates to prevent any damage.



Step 1

Locate the endplates of the luminaire and bend the tabs of the endplate as shown in figure 1, you must do this process on all 4 corners of the luminaire.

Note: You can bend the tabs with the help of a flat screwdriver.

WARNING: FAILURE TO COMPLETE THIS CAN RESULT IN INJURY FROM PRODUCT FALLING.

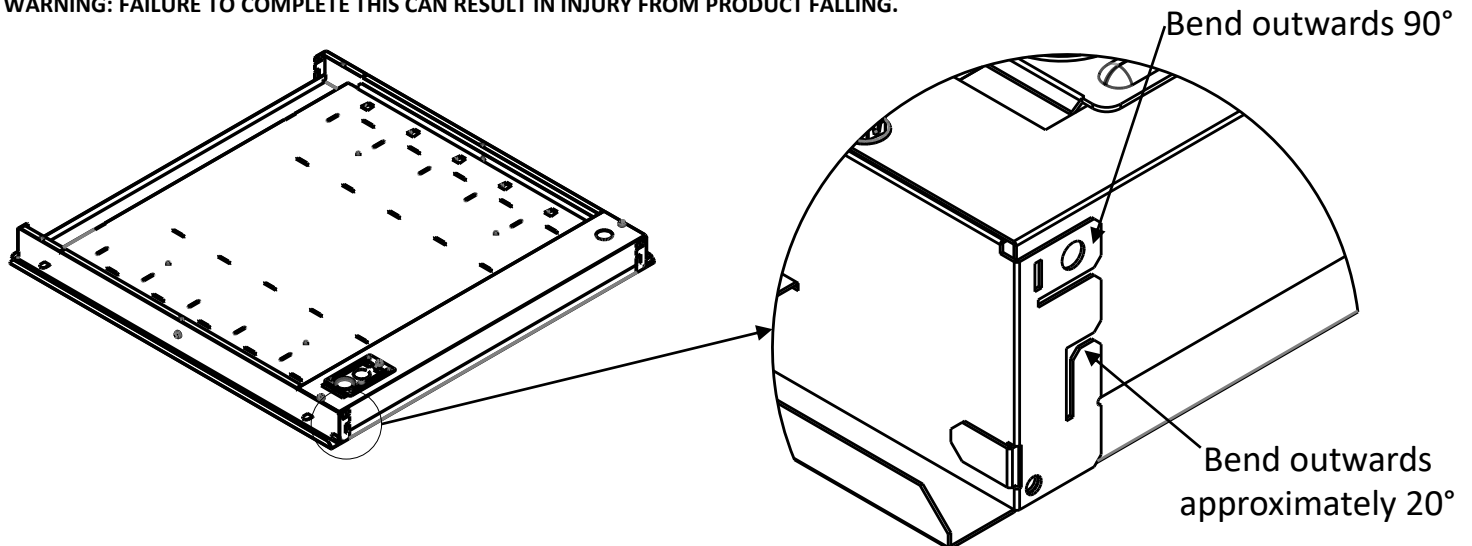


Figure 1

Step 2

Place the luminaire in the T-Bar, make sure the bent tab at 20° from step 1 snaps in place once the luminaire is pushed into the grid, as shown in figure 2.

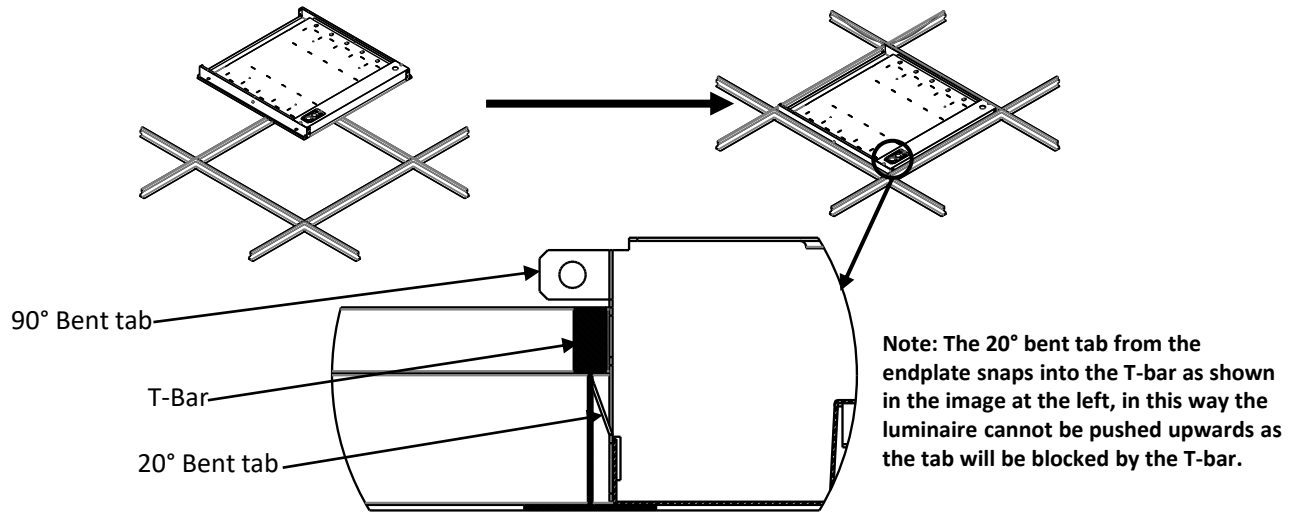


Figure 2

WARNING: RISK OF INJURY TO THE PUBLIC. INSTALLER MUST ASSURE SECURE INSTALLATION OF THE LUMINAIRE IN THE CEILING.

Step 3

Make the electrical connections through the access plate located in the driver cover. To make the connections insert the wires from the power supply into the push-in connectors and make sure the wires are properly held by the connector. (For ground wire see instructions below.)

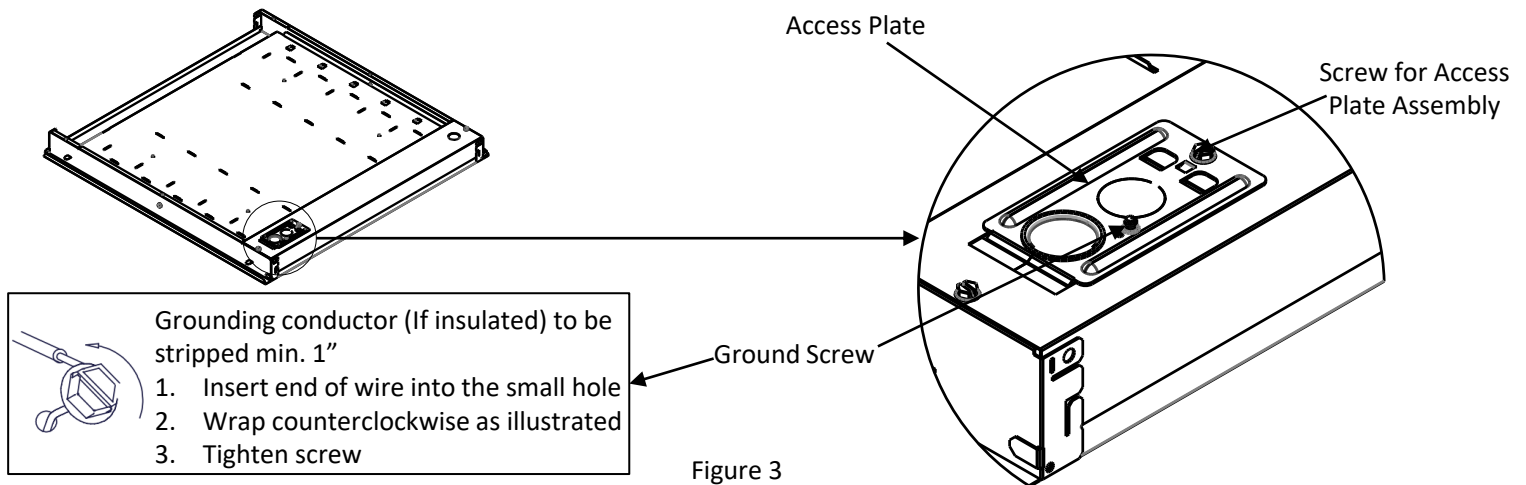


Figure 3

Note: To place the ground cable, remove the access plate by unscrewing the access plate assembly screw, then you need to remove the access plate from the driver cover to access the ground screw and install your ground cable. Once your ground cable is secured with the ground screw install the access plate again and place back the screw for access plate assembly.

