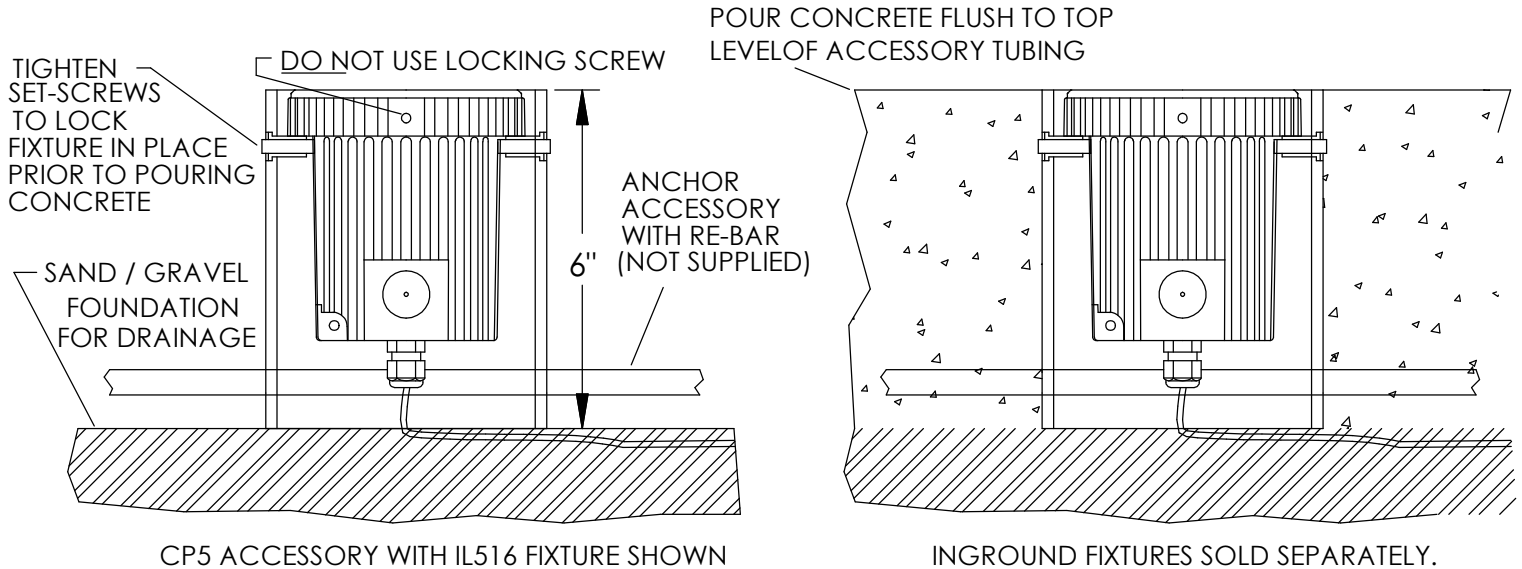


INSTALLATION INSTRUCTIONS: CP2, CP3, CP4 & CP5 ACCESSORIES



This fixture is intended for installation in accordance with the National Electrical Code and local code specifications. Failure to adhere to these codes and instructions may result in serious injury and/or damage to the ballast and void the warranty. These instructions do not purport to cover all details or variations in equipment, nor to provide for every possible contingency related to installation, operation, maintenance, or mounting situation. Should specific problems occur that are not addressed by these instructions, contact your Sales Representative or distributor for assistance. Retain these instructions for future reference.



SAFETY WARNING:

ALWAYS TURN FIXTURE OFF/DISCONNECT POWER AND ALLOW TO COOL BEFORE PERFORMING ANY MAINTENANCE, INCLUDING RELAMPING AND CLEANING!

This fixture can become very HOT! The fixture housing and lens, especially if it is glass, can become hot enough to blister hands. Attention should be paid to where the fixture is mounted, particularly if it can be touched by children or pets. To help prevent premature failure, decreased performance, overheating and risk of fire, keep fixture and lens clean and free of leaves, mulch, debris and mineral deposits from water. The fixture and lens can be cleaned using a soft cloth and a solution of mild liquid soap and warm water. Wipe clean and dry with a soft, lint-free dry cloth. Avoid polishing fixture or lens.



INSTRUCTIONS PERTAINING TO A RISK OF FIRE OR INJURY TO PERSONS IMPORTANT SAFETY INSTRUCTIONS - SAVE THESE INSTRUCTIONS!

WARNING - Lamp gets HOT quickly! To reduce the risk of FIRE OR INJURY TO PERSONS:

Do not operate fixture with a missing or damaged lens/lens assembly.

Contact only switch or plug when turning fixture on or off. Do NOT touch hot lens or housing.

Turn off or unplug fixture and allow to cool before relamping. Keep lamp away from combustibles.

Do NOT touch lamp with bare hands at any time, use a soft cloth as oil from skin may damage lamp.

CP2 (I1 AND I2), CP3 (I3) AND CP4 (I4) CONCRETE POUR ACCESSORIES:

1. To ensure proper drainage, prepare the sand / gravel foundation. The height of the Concrete Pour accessory is 6". Be certain that concrete level when poured will be flush with top of the accessory.
2. Position fixture housing in Concrete Pour accessory, making sure that the underside of the housing flange rests on top of the set screws. Tighten set screws on side of accessory to lock housing in place. Secure assembly to final location with re-bar and other anchoring devices.
3. Install conduit into housing, pull wires through, or route low voltage cable, and fill wire-way with two part epoxy (Hadco part # 10000044) to prevent water entry from conduit or wire-way.
4. Install the dirt cover to the housing to prevent concrete splashes from entering fixture when pouring.
5. Pour concrete. Remember fixture position cannot be altered after pouring concrete!!!
6. Once concrete has set and is completely cured, remove dirt cover, install electrical components. Install specified lamp and replace cover.
7. Connect fixture to rated voltage, apply energy.

CP5 CONCRETE POUR ACCESSORY (IL516):

1. Remove and discard locking screw from IL516 cover.
2. To ensure proper drainage, prepare the sand / gravel foundation. The height of the Concrete Pour accessory is 6". Be certain that concrete level when poured will be flush with top of the accessory.
3. Position fixture in Concrete Pour accessory, making sure that top of fixture is level with top of accessory tube. Tighten set screws on side of accessory to lock fixture in place. Secure assembly to final location with re-bar and other anchoring devices.
4. Route low voltage power supply cable within three feet of fixture location. Connect fixture with the low voltage connector (optional) or splice to the power supply cable, reference the low voltage connector instructions if necessary.
5. Remove fixture cover with tool provided (and use of flat head screwdriver). Insert dirt cover into top of fixture to prevent concrete splash from entering fixture when pouring.
6. Pour concrete. Remember fixture position cannot be altered after pouring concrete!!!
7. Once concrete has set and is completely cured, remove dirt cover, install specified lamp. Replace cover, and remove tool. Tool must be removed otherwise it will soften and distort.
8. Apply energy to transformer.

CP5 CONCRETE POUR ACCESSORY (IL9):

1. Discard clear plastic tool, not needed for this fixture.
2. To ensure proper drainage, prepare the sand/gravel foundation. The height of the Concrete Pour accessory is 6". Be certain that concrete level when poured will be flush with top of the accessory.
3. Position fixture in Concrete Pour accessory, making sure that top of fixture is level with top of accessory tube. Tighten set screws on side of accessory to lock fixture in place.
4. Secure assembly to final location with re-bar and other anchoring devices.
*Note if tilting the optics inside the fixture is required, then the Concrete Pour accessory must be oriented in the desired direction of the tilt.
5. Route low voltage power supply cable within three feet of fixture location. Connect fixture with the low voltage connector (optional) or splice to the power supply cable, reference the low voltage connector instructions if necessary.
6. Remove the fixture's lens ring assembly by loosening the 3 captive screws. Insert a dirt cover into top of fixture to prevent concrete splash from entering fixture when pouring.
7. Pour concrete. Remember fixture position cannot be altered after pouring concrete!!!
8. Remove the dirt cover once concrete has set and is completely cured. Replace lens ring assembly per the installation instructions for the IL9 Inground.
9. Apply energy to transformer.