

4"
Straight
Fluted
w/3" tenon

Project: _____
 Location: _____
 Cat.No: _____
 Type: _____
 Lamps: _____ Qty: _____
 Notes: _____

Order guide

example: P2060 10 A T D

| Product Code | Pole Height | Finish | Outlet Location | Outlet Options |
|--------------|-------------------|--|---|-----------------------------------|
| P2060 | | | | |
| P2060 | 10' 12' 14' | A Black B White G Verde H Bronze J Green | T 12" Down from Top - Aligned with House Side B 4" Up from Top of Base - Aligned with House Side | D Standard Duplex G GFI Duplex |

Note: Top outlets not available with the HFP arms. EPA values based on destructive break testing. For AASHTO ratings, contact factory.

Pole Data

| Pole Model | Pole Shape | Pole Type | Shaft Dimension | Pole Fluted | Anchor Base Shape | Bolt Circle | Base Dim (in) | Hand Hole Dim (in) |
|------------|------------|-----------|-----------------|-------------|-------------------|-------------|---------------|--------------------|
| P2060 | Round | Straight | 4 | Fluted | round | 12 | 16 x 21 | 5 x 8 |

| Pole Family | Catalog Number | Nominal Height (ft) | Tenon Section (in) | Wall Thickness (in) | EPA Rating 80 MPH (sq. ft) | EPA Rating 100 MPH (sq. ft) | Anchor Bolts (in) |
|-------------|----------------|---------------------|--------------------|---------------------|----------------------------|-----------------------------|-------------------|
| P2060 | P2060-10 | 10 | 3 | 0.125 | 8.23 | 4.47 | 3/4-19 bs |
| P2060 | P2060-12 | 12 | 3 | 0.125 | 6.71 | 3.51 | 3/4-19 bs |
| P2060 | P2060-14 | 14 | 3 | 0.125 | 4.46 | 2.24 | 3/4-19 bs |

Specifications

HOUSING:

356 HM high-strength, low-copper, proprietary cast aluminum alloy. 6005-T5 extruded aluminum. Anchor rods are hot dipped galvanized steel. Tenon is 356 HM sand cast aluminum.

FINISH:

A durable polyurethane enamel finish is applied after assemblies are shot blasted to create a surface profile which allows for the highest level of paint adhesion. Laboratory tested for superior weatherability and fade resistance in accordance with ASTM B-117-64 and ANSI/ASTM G53-77 specifications. For larger projects where a custom color is required, contact the factory for more information.

WARRANTY:

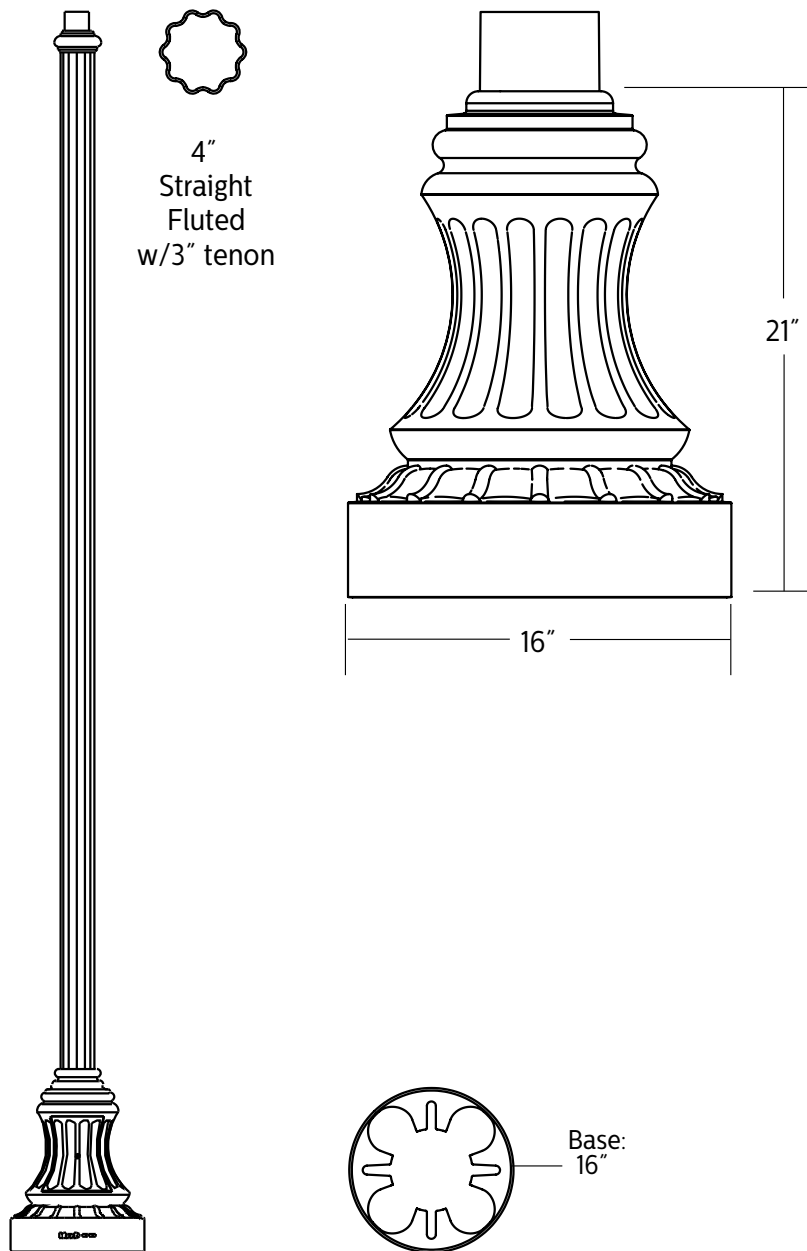
Please visit www.signify.com/warranties for more details on structural and finish warranty.

OUTLET:

Standard Duplex Outlet has universal metal weatherproof cover. Weatherproof while in use. Heavy-duty all-metal construction. Lockable security cover. Meets NEC 406.9 (B). Weather resistant. GFI Duplex Outlet has dual-function indicator light, universal metal weatherproof cover. Weatherproof while in use. Heavy-duty all-metal construction. Lockable security cover. Meets NEC 406.9 (B). Weather resistant.

P2060 Poles and Brackets

Straight Round Fluted



The information presented in this document is not intended as any commercial offer and does not form part of any quotation or contract.



© 2019 Signify Holding. All rights reserved. This document contains information relating to the product portfolio of Signify which information may be subject to change. No representation or warranty as to the accuracy or completeness of the information included herein is given and any liability for any action in reliance thereon is disclaimed. All trademarks are owned by Signify Holding or their respective owners.

Signify North America Corporation
200 Franklin Square Drive,
Somerset, NJ 08873
Telephone 855-486-2216

Signify Canada Ltd.
281 Hillmount Road,
Markham, ON, Canada L6C 2S3
Telephone 800-668-9008