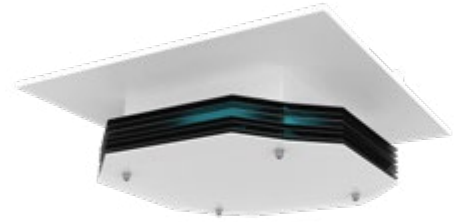


ALKCO

UV-C

2x2 Grid Ceiling Mount

4 lamp PL-S Philips TUV



The ALKCO UV-C 2x2 Grid Ceiling Mount utilizes Philips UV-C technology to continuously treat the air to reduce airborne pathogens.* UV-C can play an important role in a broad range of applications such as schools, offices, industry, (food) retail and museums.

Project: _____
 Location: _____
 Cat.No: _____
 Type: _____
 Lamps: _____ Qty: _____
 Notes: _____

Ordering guide

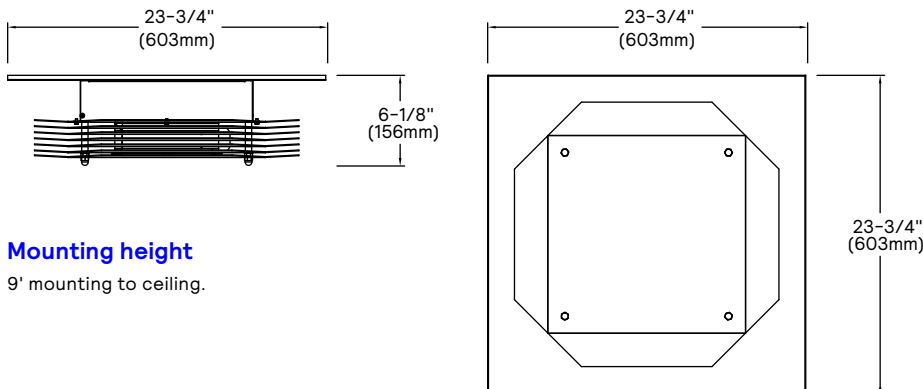
Example: U2C409-UNV-1/4-EB

Family	Lamp Quantity	Lamp Type/Wattage	Voltage	Ballast	Options
U2C	4	09 -	UNV -	1/4-EB -	
U2C UV-C 2x2 grid ceiling mount	4 Four lamps	09 9W PL-S Philips TUV	UNV Universal voltage 120-277V	1/4-EB One 4 lamp electronic ballast	blank White external housing BK Black external housing

General Notes

- All options factory installed.
- All accessories are field installed.
- Lamps are included with luminaire but shipped separately.

Dimensions



Mounting height

9' mounting to ceiling.

* Alkco's wall mount and ceiling mount upper air UV-C luminaires were tested for SARS-CoV-2 in Innovative Bioanalysis Lab. The wall-mounted luminaire achieved 99.9% reduction in 10 minutes and the ceiling mount luminaire achieved 92.6% reduction in 20 minutes. The luminaires were also tested for Escherichia coli in Intertek Lab. Both luminaires achieved 99.9% reduction in 45 minutes.



U2C UV-C 2x2 grid ceiling mount

4 lamp PL-S Philips TUV

UV-C

- This UV-C product is intended to be used for the treatment of air except for in medical locations.
- Philips TUV PL-S lamps produce a peak output at 253.7nm.

Construction/Finish

- White polyester powder coated steel housing.
- Electronic ballast(s).
- Locking lampholders provide positive contact and secure retention of lamps.
- Black aluminum light directing baffles.
- Optional black external housing (BK option) makes the luminaire disappear into black ceilings.
- Wiring access plate in top of luminaire.
- Lamps are included with luminaire but shipped separately.

Disclaimer

Our upper air UV-C solutions were shown to inactivate over 92% of airborne pathogens, including the virus that causes COVID-19.¹

Signify and its group of companies do not promise or warrant that the use of the products will protect or prevent any user from infection and/or contamination with any viruses, bacteria, protozoa, fungi, illness or disease. The products are not approved for, are not intended and must not be used as medical devices. In addition to and without limitation of any exclusions or limitations of liability of Signify and its group of companies as set forth in any agreement for the sale, distribution or otherwise making available of the products, Signify shall have no responsibility or liability whatsoever for any claim or damage that may arise from or relate to any use of the Products outside of their intended use or contrary to their installation and operation instructions, each as described in the Documentation.

Warnings and Cautions

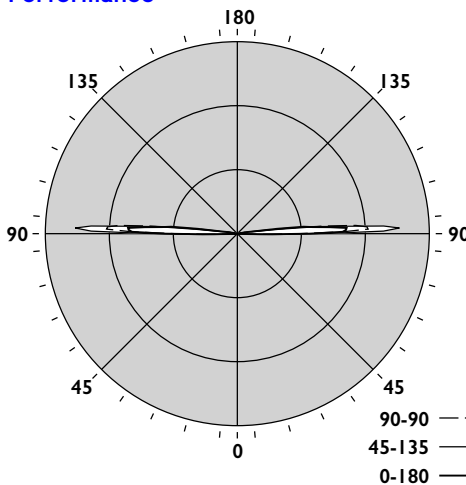
- This UV-C product is not approved and/or certified as a medical device.
- This UV-C product cannot be used to treat the surfaces of medical devices (such as medical devices in a room, surgical masks and/or surgical respirators). The device cannot be used in medical settings. The device cannot be used for treatment of human skin.
- UV-C radiation can damage the human eye and can cause severe sunburn-like reaction to human skin.
- UV-C can have adverse affects on organics such as plants and animals.
- UV-C radiation may damage or discolor materials such as plastics and rubber, among others.
- UV-C products should be installed and maintained by a trained technician following installation instructions and user manual.
- UL 1598 listed UV-C fixture
- UL1598 annex L states it is the responsibility of the installer to ensure that persons will not be exposed to excessive UV or optical radiation during equipment operation. This will require the installer to conduct an assessment of irradiance levels in the surrounding occupied spaces prior to occupancy.

1. Alkco's wall mount and ceiling mount upper air UV-C luminaires were tested for SARS-CoV-2 in Innovative Bioanalysis Lab. The wall-mounted luminaire achieved 99.9% reduction in 10 minutes and the ceiling mount luminaire achieved 92.6% reduction in 20 minutes. The luminaires were also tested for Escherichia coli in Intertek Lab. Both luminaires achieved 99.9% reduction in 45 minutes.

Warranty

- 1 year limited warranty (signify.com/warranties)

Performance



2x2 Ceiling Mount

General Design Guidelines*

- Minimum 9' ceiling height
- Minimum 12' distance between fixtures
- Minimum 6' distance between fixture and wall
- Estimate of minimum 250sqft area per fixture

* For specific application design support, please contact Signify directly. Above estimates are based on a UV-C radiation ceiling reflectance of 15% and 8 hour maximum exposure time. If ceiling reflectance is above 15%, please contact Signify for application design support. A list of common ceiling finish reflectances can be found in the Appendix section of the Commission Guidelines.

U2C409-UNV-1/4-EB

Lamp Type	9W PL-S TUV
Input Watts	36.2
Irradiance (mW)	298.6

