

MASTER LED tube Mains/DC

LEDtube EL safeguard module

Our new Philips MASTER LED tube Mains/DC is a breakthrough product designed for both general lighting and emergency lighting applications. It provides fast and easy way to upgrade your whole lighting system in one go, without needs to replace existing luminaire housing. High quality and reliable illumination during day to day normal operation as well as unexpected power outages that you can trust. With up to 75,000 hrs lifetime and 185lm/W efficiency, the solution is also long lasting and energy efficient.

Warnings and Safety

- The installation should be performed by qualified professionals in accordance with relevant local code. The modified luminaire shall meet applicable emergency lighting standards. Please use the provided checklist to carry out appropriate risk assessments before, during and after installation.
- Please note that for use with decentralized system, a compatible emergency lighting battery kit (we recommend the EM300V ELB, ELP3 kit HV, EAN: 8719514881136) and safeguard module (EAN: 8721103152213) must also be used.

Product data

General Information		Inrush current at mains	
Lighting Technology	LEDtube	Max. lamp no. on MCB B type 10A - Mains	-
Light Technical		Max. lamp no. on MCB B type 10A – EM ballast without	-
Correlated Color Temperature (Nom)	-	Compensation Capacitor.	
Operating and Electrical		Max. lamp no. on MCB B type 10A – EM ballast with	-
Input Frequency	50 to 60 Hz	Compensation Capacitor.	
Lamp Current (Nom)	140 mA	Max. lamp no. on MCB B type 16A - Mains	-
Power Factor (Fraction)	-	Max. lamp no. on MCB B type 16A – EM ballast without	-
Voltage (Nom)	220-240 V	Compensation Capacitor.	

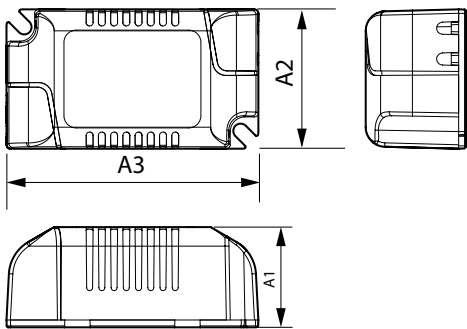
MASTER LED tube Mains/DC

Max. lamp no. on MCB B type 16A – EM ballast with Compensation Capacitor.	-
Controls and Dimming	
Dimmable	No
Mechanical and Housing	
Net Weight (Piece)	0.020 kg
Approval and Application	
Energy Saving Product	Yes
Approval Marks	RoHS compliance CE marking
CE mark	Yes
EU RoHS compliant	Yes
Post-consumer recycled plastic material ratio	0 %

Sustainability Data

Product non-virgin material ratio	0 %
Product Data	
Order product name	LEDtube EL safeguard module
Full product name	LEDtube EL safeguard module
Full product code	872110315221300
Order code	929004435602
Material Nr. (12NC)	929004435602
Numerator - Quantity Per Pack	1
EAN/UPC - Product/Case	8721103152213
Numerator - Packs per outer box	20
EAN/UPC - Case	8721103152220

Dimensional drawing



Product	A1	A2	A3
LEDtube EL safeguard module	20.5 mm	28.5 mm	51.5 mm

