



Deep Recessed Spotlight

RS350 G2 RC Sq L100 2*15W 40K 24D 2H

Deep Recessed Spotlight, 30 W, 3200 lm, 4000 K, High-gloss mirror, Dark gray

Deep Recessed offers excellent experience for the consumer, which includes eye comfort, reliable quality and outstanding performance, especially the anti glare feature.

Product data

General Information		Photobiological safety according to EN 62471	
Light source replaceable	No		RG1
Number of gear units	2 units		
Driver included	Yes		
Nominal lifetime	25,000 hour(s)		
Switching Cycle	15,000		
Warranty period	1 years		
Light Technical		Operating and Electrical	
Luminous Flux	3,200 lm	Input Voltage	220 to 240 V
Correlated Color Temperature (Nom)	4000 K	Input Frequency	50 or 60 Hz
Luminous Efficacy (rated) (Nom)	106 lm/W	Inrush current	14 A
Color rendering index (CRI)	90	Inrush time	0.19 ms
Number of light sources	2	Power Consumption	30 W
Light source color	940 neutral white	Warm-up time to 60% light	<2 s
Optic type	High-gloss mirror	Power Factor (Fraction)	0.9
Luminaire light beam spread	24°	Connection	Flying leads/wires
		Cable	Cable 0.1m without plug
		Number of products on MCB of 16 A type B	19
		Suitable for random switching	Not applicable
		Protection class IEC	Safety class II

Deep Recessed Spotlight

Controls and Dimming

Dimmable	No
Driver/power unit/transformer	Power supply unit
Constant light output	No

Mechanical and Housing

Housing Material	Aluminum die-cast
Reflector material	Polycarbonate
Optic material	Polycarbonate
Optical cover material	Polycarbonate
Fixation material	Aluminum
Housing Color	Dark gray
Optical cover finish	Clear
Overall length	200 mm
Overall width	106 mm
Overall height	119 mm
Dimensions (Height x Width x Depth)	119 x 106 x 200 mm
Net weight	1.15 kg
Ingress protection code	IP20 [Finger-protected]
Mech. impact protection code	IK03 [0.3 J]
Net Weight (Piece)	1.150 kg

Approval and Application

Insulation Coverage Rating	Non IC Rating
Glow-wire test	Temperature 650 °C, duration 30 s
Flammability mark	For mounting on normally flammable surfaces

EU RoHS compliant	Yes
Warranty	3 year(s)
EyeComfort	Yes
LED Innovations	EyeComfort
Ambient temperature range	-20 to +40 °C

Initial Performance (IEC Compliant)

Luminous flux tolerance	+/-10%
Initial chromaticity	(0.3779, 0.3683) <5SDCM
Power consumption tolerance	+/-10%

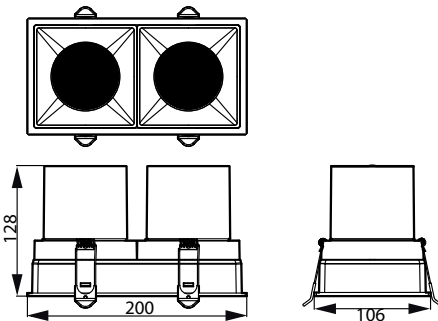
Over Time Performance (IEC Compliant)

Median useful life L70B50	25,000 hour(s)
---------------------------	----------------

Product Data

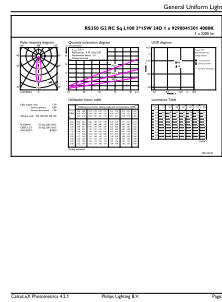
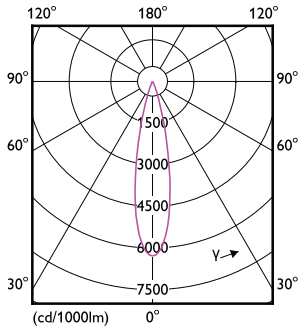
Order product name	RS350 G2 RC Sq L100 2*15W 40K 24D 2H
Full product name	RS350 G2 RC Sq L100 2*15W 40K 24D 2H
Full product code	694197061879300
Order code	929004130110
Material Nr. (12NC)	929004130110
Numerator - Quantity Per Pack	1
EAN/UPC - Product/Case	6941970618793
Numerator - Packs per outer box	6
EAN/UPC - Case	6941970618809

Dimensional drawing



Deep Recessed Spotlight

Photometric data



Light Distribution Diagram - RS350 G2 RC Sq L100 2*15W 40K 24D 2H

General uniform lighting - RS350 G2 RC Sq L100 2*15W 40K 24D 2H

