



MASTER VALUE LED spot LV

MASTER LED 4.9-50W 3000K MR16 36D

LEDspot, MR16, 50 W, GU5.3, 3000 K, 425 lm, 25000 hour(s), Metal

Philips MASTER VALUE MR16 is the series of Low Voltage (12VAC) Halogen MR16 replacements. Not only does it employ Philips' patented solution to guarantee the broadest possible compatibility with standard 12V Halogen electronic transformers. It also delivers beam intensity which is equivalent to the 50W Philips Halogen MR16 lamps. The form-factor of Philips MASTER Value LED MR16 guarantees a 100% form on the back-side of the lamp (exact form with Halogen lamps.)

Warnings and Safety

- Operating temperature range is between -20° C and 45° C ambient
- Only to apply in dry or damp locations and most of open fixtures with lamp-holders that offer sufficient space (10 mm free air space)
- Not intended for use with emergency light fixtures or exit lights

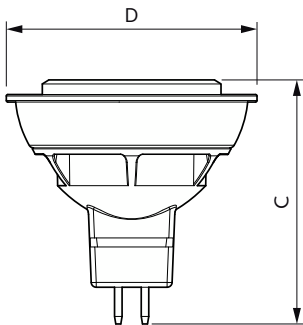
Product data

General Information			
Cap-Base	GU5.3	Luminous Flux	425 lm
Nominal lifetime	25,000 hour(s)	Luminous Intensity (Nom)	950 cd
Switching Cycle	50,000	Color Designation	White (WH)
Lighting Technology	LEDspot	Correlated Color Temperature (Nom)	3000 K
		Luminous Efficacy (rated) (Nom)	86 lm/W
		Color Consistency	<6
		Color rendering index (CRI)	90
		LLMF At End Of Nominal Lifetime (Nom)	70 %
Light Technical			
Color Code	930 [CCT of 3000K]		
Beam Angle (Nom)	36 degree(s)		

MASTER VALUE LED spot LV

Photobiological safety according to EN 62471 RG1	
Operating and Electrical	
Input Frequency	- Hz
Power Consumption	4.9 W
Lamp Current (Nom)	484 mA
Wattage Equivalent	50 W
Starting Time (Nom)	0.5 s
Warm-up time to 60% light	0.5 s
Power Factor (Fraction)	0.7
Voltage (Nom)	ac electronic 12 V
Temperature	
T-Case Maximum (Nom)	72 °C
Controls and Dimming	
Dimmable	No
Mechanical and Housing	
Bulb Finish	Clear
Bulb Material	Metal
Bulb Shape	MR16

Dimensional drawing



Net Weight (Piece)	0.037 kg
Approval and Application	
Suitable For Accent Lighting	Yes
EU RoHS compliant	Yes
Ambient temperature range	-20 to +45 °C
Application Conditions	
Wireless Technology	Not applicable
Product Data	
Order product name	MASTER LED 4.9-50W 3000K MR16 36D
Full product name	MASTER LED 4.9-50W 3000K MR16 36D
Full product code	694783049932800
Order code	929003611010
Material Nr. (12NC)	929003611010
Numerator - Quantity Per Pack	1
EAN/UPC - Product/Case	6947830499328
Numerator - Packs per outer box	10
EAN/UPC - Case	6947830499335

Product	D	C
MASTER LED 4.9-50W 3000K MR16 36D	50.5 mm	50 mm

MASTER VALUE LED spot LV

