



MASTER VALUE LED spot LV

MASTER LED 4.9-50W 4000K MR16 24D

LEDspot, MR16, 50 W, GU5.3, 4000 K, 430 lm, 25000 hour(s), Metal

Philips MASTER VALUE MR16 is the series of Low Voltage (12VAC) Halogen MR16 replacements. Not only does it employ Philips' patented solution to guarantee the broadest possible compatibility with standard 12V Halogen electronic transformers. It also delivers beam intensity which is equivalent to the 50W Philips Halogen MR16 lamps. The form-factor of Philips MASTER Value LED MR16 guarantees a 100% form on the back-side of the lamp (exact form with Halogen lamps.)

Warnings and Safety

- Operating temperature range is between -20° C and 45° C ambient
- Only to apply in dry or damp locations and most of open fixtures with lamp-holders that offer sufficient space (10 mm free air space)
- Not intended for use with emergency light fixtures or exit lights

Product data

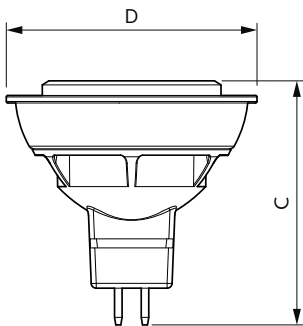
General Information		Luminous Flux	
Cap-Base	GU5.3	Luminous Flux	430 lm
Nominal lifetime	25,000 hour(s)	Luminous Intensity (Nom)	1,700 cd
Switching Cycle	50,000	Color Designation	Cool White (CW)
Lighting Technology	LEDspot	Correlated Color Temperature (Nom)	4000 K
Light Technical		Luminous Efficacy (rated) (Nom)	87 lm/W
Color Code	940 [CCT of 4000K]	Color Consistency	<6
Beam Angle (Nom)	24 degree(s)	Color rendering index (CRI)	90
		LLMF At End Of Nominal Lifetime (Nom)	70 %

MASTER VALUE LED spot LV

Photobiological safety according to EN 62471 RG1	
Operating and Electrical	
Input Frequency	- Hz
Power Consumption	4.9 W
Lamp Current (Nom)	484 mA
Wattage Equivalent	50 W
Starting Time (Nom)	0.5 s
Warm-up time to 60% light	0.5 s
Power Factor (Fraction)	0.7
Voltage (Nom)	ac electronic 12 V
Temperature	
T-Case Maximum (Nom)	72 °C
Controls and Dimming	
Dimmable	No
Mechanical and Housing	
Bulb Finish	Clear
Bulb Material	Metal

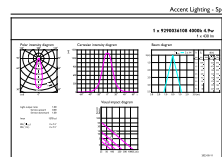
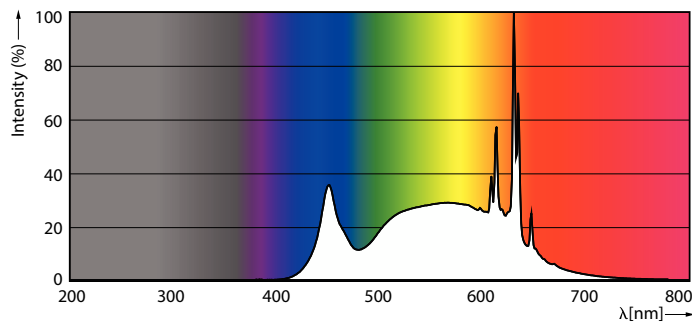
Bulb Shape	MR16
Net Weight (Piece)	0.037 kg
Approval and Application	
Suitable For Accent Lighting	Yes
EU RoHS compliant	Yes
Ambient temperature range	-20 to +45 °C
Product Data	
Order product name	MASTER LED 4.9-50W 4000K MR16 24D
Full product name	MASTER LED 4.9-50W 4000K MR16 24D
Full product code	872016917458000
Order code	929003610808
Material Nr. (12NC)	929003610808
Numerator - Quantity Per Pack	1
EAN/UPC - Product/Case	8720169174580
Numerator - Packs per outer box	10
EAN/UPC - Case	8720169174597

Dimensional drawing



Product	D	C
MASTER LED 4.9-50W 4000K MR16 24D	50.5 mm	50 mm

Photometric data

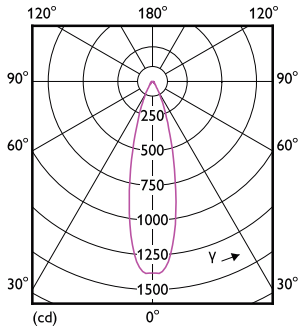


Spectral Power Distribution Colour - MASTER LED 4.9-50W 4000K MR16 24D

Accent Lighting Spots - MASTER LED 4.9-50W 4000K MR16 24D

MASTER VALUE LED spot LV

Photometric data



Light Distribution Diagram - MASTER LED 4.9-50W 4000K MR16 24D

Lifetime



Life Expectancy Diagram



Lumen Maintenance Diagram - MASTER LED 4.9-50W 4000K MR16 24D

