



# MASTER VALUE LED spot LV

## MASTER LED 4.9-50W 3000K MR16 24D

LEDspot, MR16, 50 W, GU5.3, 3000 K, 425 lm, 25000 hour(s), Metal

Philips MASTER VALUE MR16 is the series of Low Voltage (12VAC) Halogen MR16 replacements. Not only does it employ Philips' patented solution to guarantee the broadest possible compatibility with standard 12V Halogen electronic transformers. It also delivers beam intensity which is equivalent to the 50W Philips Halogen MR16 lamps. The form-factor of Philips MASTER Value LED MR16 guarantees a 100% form on the back-side of the lamp (exact form with Halogen lamps.)

### Warnings and Safety

- Operating temperature range is between -20° C and 45° C ambient
- Only to apply in dry or damp locations and most of open fixtures with lamp-holders that offer sufficient space (10 mm free air space)
- Not intended for use with emergency light fixtures or exit lights

### Product data

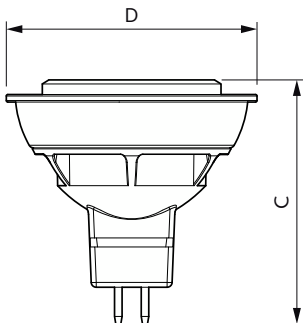
| General Information |                    | Luminous Flux                         |            |
|---------------------|--------------------|---------------------------------------|------------|
| Cap-Base            | GU5.3              | Luminous Flux                         | 425 lm     |
| Nominal lifetime    | 25,000 hour(s)     | Luminous Intensity (Nom)              | 1,700 cd   |
| Switching Cycle     | 50,000             | Color Designation                     | White (WH) |
| Lighting Technology | LEDspot            | Correlated Color Temperature (Nom)    | 3000 K     |
| Light Technical     |                    | Luminous Efficacy (rated) (Nom)       | 86 lm/W    |
| Color Code          | 930 [CCT of 3000K] | Color Consistency                     | <6         |
| Beam Angle (Nom)    | 24 degree(s)       | Color rendering index (CRI)           | 90         |
|                     |                    | LLMF At End Of Nominal Lifetime (Nom) | 70 %       |

# MASTER VALUE LED spot LV

|  |                    |
|--|--------------------|
| Photobiological safety according to EN 62471 RG1 |                    |
| <b>Operating and Electrical</b>                  |                    |
| Input Frequency                                  | - Hz               |
| Power Consumption                                | 4.9 W              |
| Lamp Current (Nom)                               | 484 mA             |
| Wattage Equivalent                               | 50 W               |
| Starting Time (Nom)                              | 0.5 s              |
| Warm-up time to 60% light                        | 0.5 s              |
| Power Factor (Fraction)                          | 0.7                |
| Voltage (Nom)                                    | ac electronic 12 V |
| <b>Temperature</b>                               |                    |
| T-Case Maximum (Nom)                             | 72 °C              |
| <b>Controls and Dimming</b>                      |                    |
| Dimmable   | No                 |
| <b>Mechanical and Housing</b>                    |                    |
| Bulb Finish                                      | Clear              |
| Bulb Material                                    | Metal              |
| Bulb Shape                                       | MR16               |

|                                 |                                   |
|---------------------------------|-----------------------------------|
| Net Weight (Piece)              | 0.037 kg                          |
| <b>Approval and Application</b> |                                   |
| Suitable For Accent Lighting    | Yes                               |
| EU RoHS compliant               | Yes                               |
| Ambient temperature range       | -20 to +45 °C                     |
| <b>Application Conditions</b>   |                                   |
| Wireless Technology             | Not applicable                    |
| <b>Product Data</b>             |                                   |
| Order product name              | MASTER LED 4.9-50W 3000K MR16 24D |
| Full product name               | MASTER LED 4.9-50W 3000K MR16 24D |
| Full product code               | 694783049926700                   |
| Order code                      | 929003610710                      |
| Material Nr. (12NC)             | 929003610710                      |
| Numerator - Quantity Per Pack   | 1                                 |
| EAN/UPC - Product/Case          | 6947830499267                     |
| Numerator - Packs per outer box | 10                                |
| EAN/UPC - Case                  | 6947830499274                     |

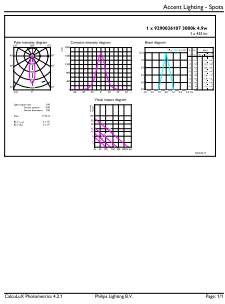
## Dimensional drawing



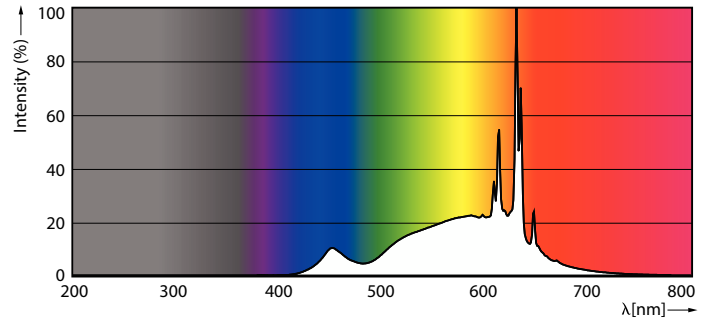
| Product                           | D       | C     |
|-----------------------------------|---------|-------|
| MASTER LED 4.9-50W 3000K MR16 24D | 50.5 mm | 50 mm |

# MASTER VALUE LED spot LV

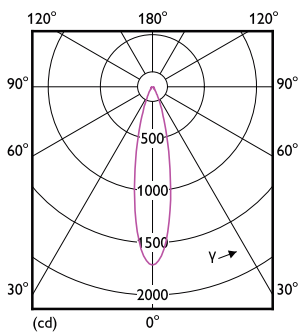
## Photometric data



Accent Lighting Spots - MASTER LED 4.9-50W 3000K MR16 24D



Spectral Power Distribution Colour - MASTER LED 4.9-50W 3000K MR16 24D

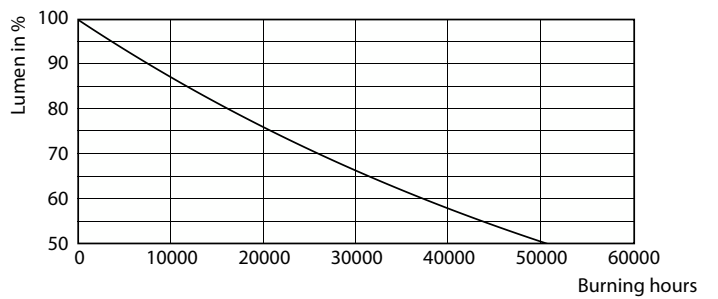


Light Distribution Diagram - MASTER LED 4.9-50W 3000K MR16 24D

## Lifetime



Life Expectancy Diagram



Lumen Maintenance Diagram - MASTER LED 4.9-50W 3000K MR16 24D

## MASTER VALUE LED spot LV

